

-J04683

2008-01-15

REDUCED POWER THROTTLE CAM KITS, 984CC & 1203CC

GENERAL

Kit Number

P1018.4AJ, P1018.5AA

Models

For the most up-to-date model fitment information, please see product label or www.buell.com (English only).

Additional Parts

Loctite® 222 MS Threadlocker and Sealant - Purple (99811-97)

▲ WARNING

Rider and passenger safety depend upon the correct installation of this kit. Use the appropriate service manual procedures. If the procedure is not within your capabilities or you do not have the correct tools, have a Harley-Davidson dealer perform the installation. Improper installation of this kit could result in death or serious injury. (00333b)

NOTE

This instruction sheet references Service Manual information. A Service Manual for your model motorcycle is required for this installation and is available from a Harley-Davidson Dealer.

Kit Contents

See Figure 3 and Table 1.

INSTALLATION

▲ WARNING

To prevent accidental vehicle start-up, which could cause death or serious injury, disconnect negative (-) battery cable before proceeding. (00048a)

1. Remove the seat according to Service Manual instructions.
2. Disconnect the negative battery cable.
3. Remove the air cleaner assembly. See AIR CLEANER ASSEMBLY in the Service Manual.
4. See Figure 3 and Table 1. Remove velocity stack ring clamp (A) and velocity stack (B) from throttle body (C).
5. See Figure 1. Label and disconnect the throttle cables (not shown) at the cam and bracket. See THROTTLE CONTROL in the Service Manual.

NOTE

Save the stock throttle cam and throttle cable bracket for reinstallation when reduced power is no longer needed.

6. Disconnect coil spring wire retaining hook (5) attached to throttle cam.

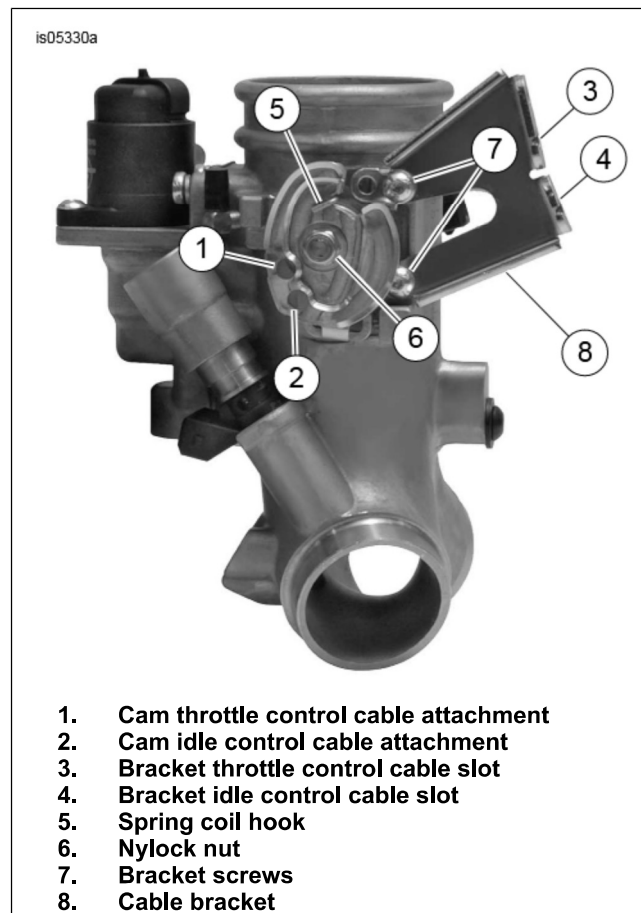


Figure 1. Throttle Body Assembly

7. Remove nylock nut (6) and throttle cam. Discard the nylock nut.
8. See Figure 3 and Table 1. Install the new throttle cable bracket (3) using screws (4). Apply a drop of Loctite 222 to each screw and tighten to 2.9–3.5 N·m (25–30 in-lbs).

NOTE

Aligning the cables and reinstalling the retention clip will vary from the instructions in the THROTTLE CONTROL section of the Service Manual. The retention clip will attach to the lower idle control cable only and align the cables as shown in Figure 2.

9. Install the spring coil (D), spacer (E) and throttle cam plate (1) to throttle body assembly (C) using the new nylock nut (2). Tighten the nut to 2.9–3.5 N·m (25–30 in-lbs).

10. Install and adjust the throttle control cables using the THROTTLE CONTROL section of the Service Manual.

11. Install the air cleaner assembly. See AIR CLEANER ASSEMBLY in the Service Manual.

12. Connect the negative battery cable.

13. Install the seat.

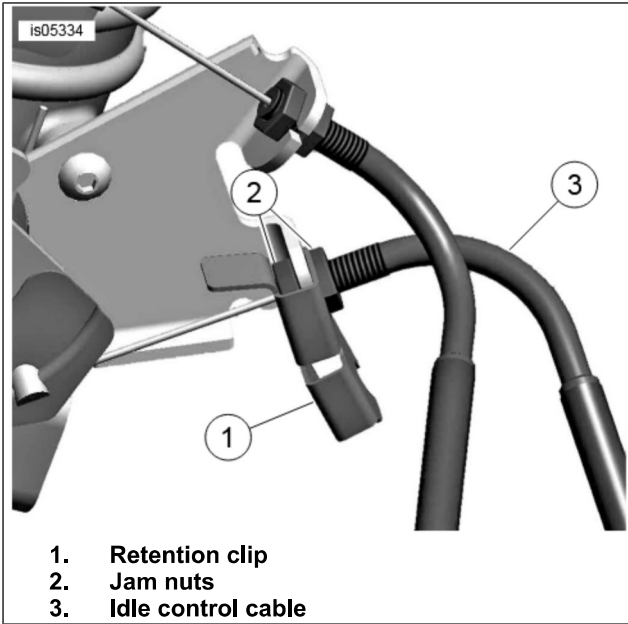


Figure 2. Throttle Cable Retention Clip

SERVICE PARTS

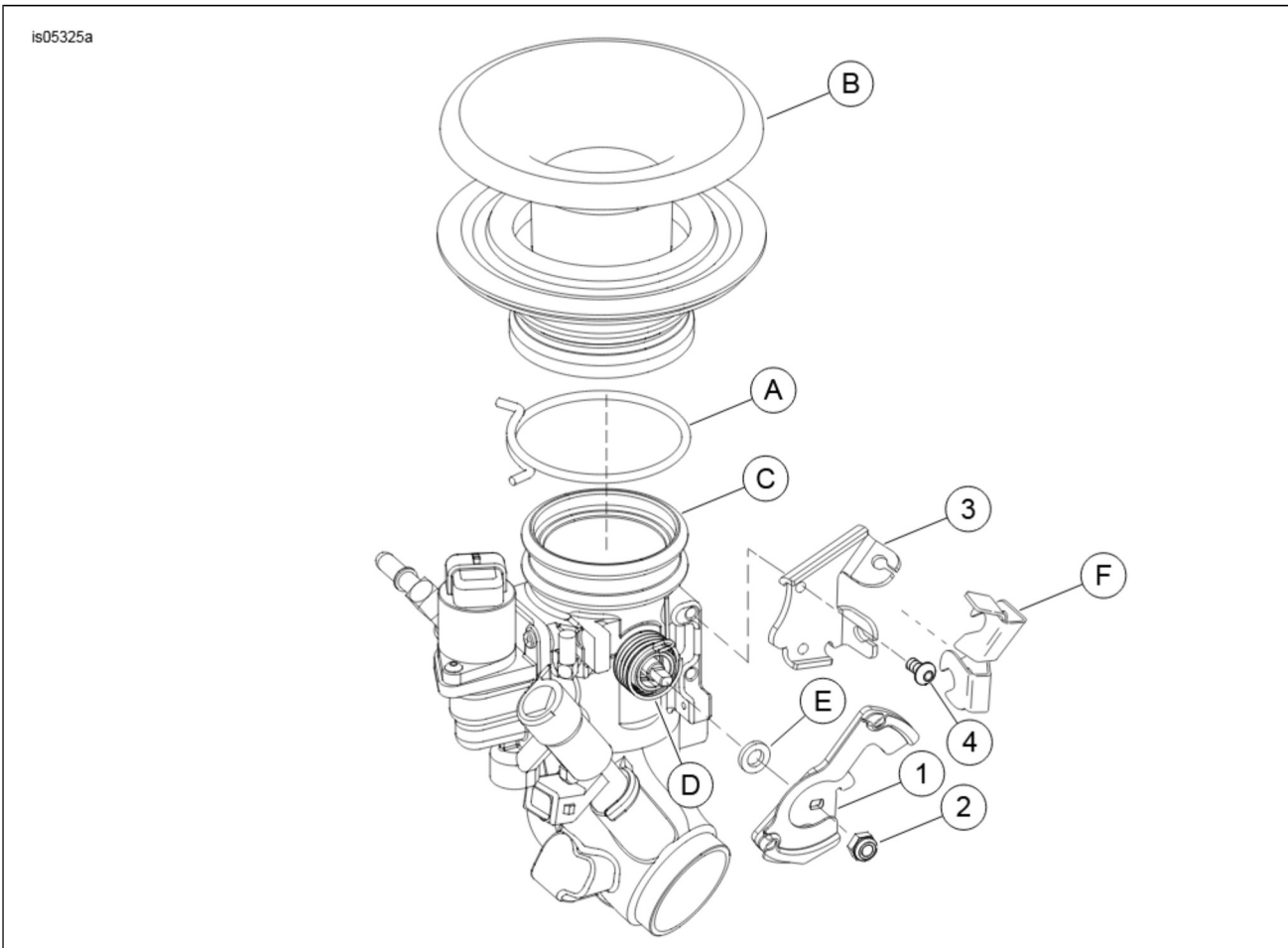


Figure 3. Service Parts: Reduced Power Cam Kits (984cc and 1203cc)

Table 1. Service Parts Table

Kit	Item	Description (Quantity)	Part Number
Kit P1018.4AJ Reduced Power Throttle Cam Kit, 984cc	1	Throttle cam plate, 984cc	P0018.4AJ
	2	Nylock nut, M6 x 1.0	CD0012.02A8
	3	Throttle cable bracket, reduced power cam	P0034.5AA
	4	Button head socket screw	CA0026.02A8 (2)
Kit P1018.5AA Reduced Power Throttle Cam Kit, 1203cc	1	Throttle cam plate, 1203cc	P0018.5AA
	2	Nylock nut, M6 x 1.0	CD0012.02A8
	3	Throttle cable bracket, reduced power cam	P0034.5AA
	4	Button head socket screw	CA0026.02A8 (2)
Items mentioned in text, but not included in kit:			
	A	Velocity stack	
	B	Velocity stack ring clamp	
	C	Throttle body assembly	
	D	Coil spring wire	
	E	Spacer	
	F	Throttle cable retention clip	