

-J04087

2006-07-14

SIDESTAND LEG SERVICE KIT

GENERAL

Kit Number

L1167.1AK, L1167.1AE, L1167.02A8

Models

Table 1. Models

Kits	Models
L1167.1AK	2006 XB12X
L1167.02A8	2004 and later XB9R, XB9S/SX, XB12R, XB12S and 2006 and later XB12Ss
L1167.1AE	2004 XB9SL and 2005 and later XB12Scg

Additional Materials Required

Proper installation of this kit requires the use of a Snap-on® Spring Tool (HE-52B).

Proper installation of this kit also requires the use of Wheel Bearing Grease (99855-89).

Kit Contents

See Figure 2 and Table 2.

REMOVAL

NOTE

See Figure 1 for the Removal procedure.

1. Properly support the motorcycle in a straight up position.
2. Remove two fasteners from the left side of the chin fairing.
3. Retract sidestand leg (5).
4. Remove sidestand spring (2) and spring extension plate (3) using a Snap-on Spring Tool. Save spring and plate for later installation.
5. Remove and discard sidestand pivot bolt (1).
6. Extend the sidestand leg (5) and remove from sidestand bracket (4). Discard sidestand leg.

INSTALLATION

NOTE

See Figure 2 for the Installation procedure.

The sidestand pivot pin (2) should be lubricated every time the sidestand leg is removed from the bracket (C) and at every 5000 mile (8000 km) sidestand pivot bolt service interval.

1. Lubricate the sidestand pivot pin (2) and the mating surfaces of the sidestand bracket (C) with Wheel Bearing Grease (99855-89).
2. Install sidestand leg (3) and sidestand pivot pin (2) from kit.
3. Install E-clip (1) from kit onto the the pivot pin (2).
4. Retract the sidestand leg (3).
5. Install the stock spring extension plate (B) and sidestand spring (A) using a Snap-on Spring Tool.

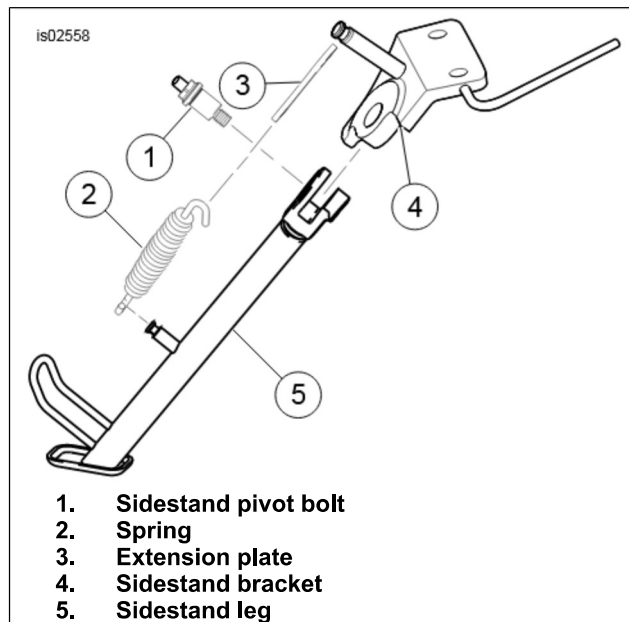


Figure 1. Stock Sidestand and Pivot Bolt

SERVICE PARTS

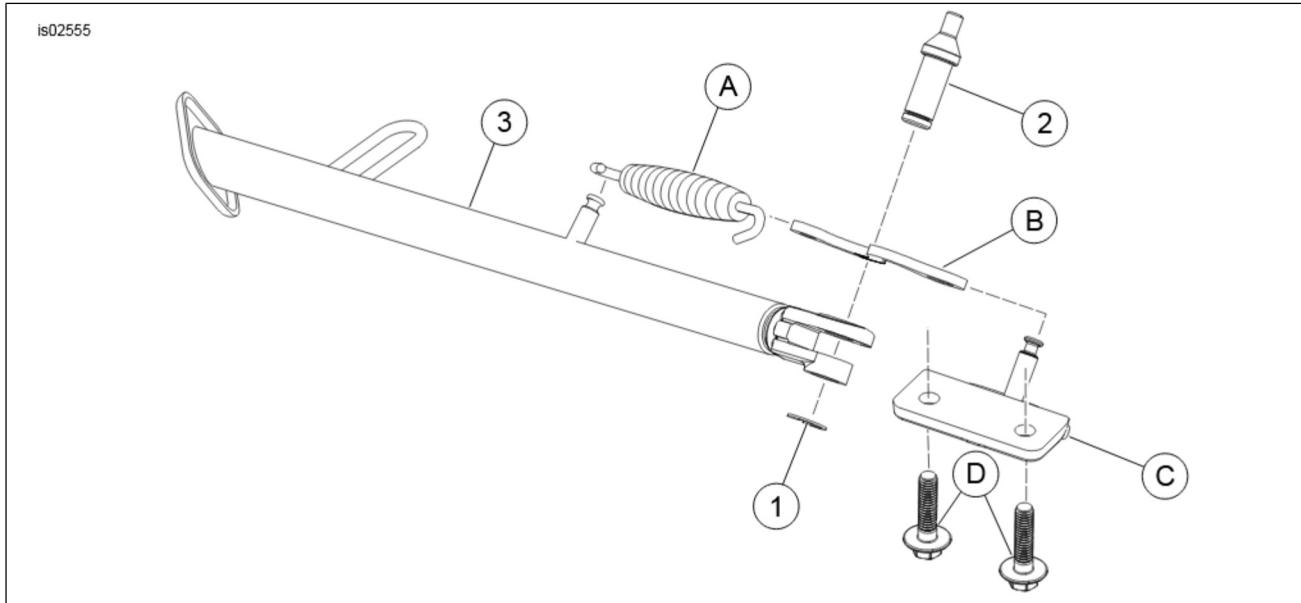


Figure 2. Service Parts for Sidestand Leg Service Kit

Table 2. Service Parts Table

Kit	Item	Description (Quantity)	Part Number
Kit L1167.1AK	1	E-clip	N0425.02A8
	2	Pivot pin, sidestand	L0174.4A8
	3	Sidestand leg	Not sold separately
Kit L1167.02A8	1	E-clip	N0425.02A8
	2	Pivot pin, sidestand	L0174.4A8
	3	Sidestand leg	Not sold separately
Kit L1167.1AE	1	E-clip	N0425.02A8
	2	Pivot pin, sidestand	L0174.4A8
	3	Sidestand leg	Not sold separately
Items mentioned in text, but not included in kit:			
	A	Spring, sidestand	
	B	Plate, sidestand, spring extension	
	C	Bracket, sidestand	
	D	Bolt, flange	