

-J03578

2009-01-13

ULYSSES™ TOP CASE AND SIDE CASE KIT

GENERAL

Kit Number

92030-05Y

Models

For model fitment information, see the Buell Accessories and Parts Countertop Reference Guide (CRG) or the Accessories section of www.buell.com (English only).

▲ WARNING

Do not exceed the motorcycle's Gross Vehicle Weight Rating (GVWR) or Gross Axle Weight Rating (GAWR). Exceeding these weight ratings can lead to component failure and adversely affect stability, handling and performance, which could result in death or serious injury. (00016f)

- GVWR is the sum of the weight of the motorcycle, accessories, and the maximum weight of the rider, passenger and cargo that can be safely carried.
- GAWR is the maximum amount of weight that can be safely carried on each axle.
- The GVWR and GAWR are shown on the information plate, located on the frame down tube.

Additional Parts Required

Loctite® 271 (Red) Threadlocker and Sealant (H-D Part Number 99671-97) is required for the proper installation of this kit.

NOTE

Proper installation of the top case mounting bracket requires installation of both side case mounting brackets. Installation of the top case mounting bracket without both side case mounting brackets can cause breakage of the vehicle tail section castings.

Kit Contents

See Table 2, Figure 6 and Figure 7.

INSTALLATION

NOTE

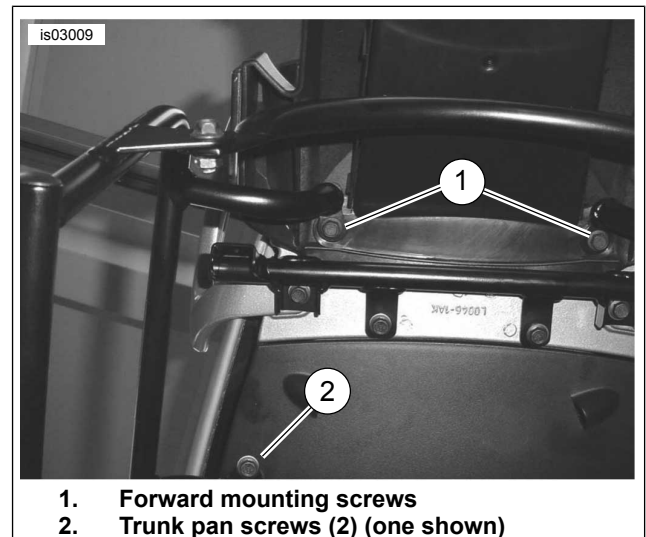
Loctite 271 (Red) must be applied to ALL fasteners before installation.

Side-Case Bracket Installation

NOTE

Install Belleville (conical spring) lock washers with the inside diameter contacting the underside of the screw head.

1. See Figure 1. Remove the two forward button head TORX® fasteners (1) mounting the license plate bracket to the tail loop (under the license plate bracket).



1. Forward mounting screws
2. Trunk pan screws (2) (one shown)

Figure 1. License Plate and Trunk Pan Screw Removal

2. Remove the two TORX fasteners (2) holding the trunk pan to the tail loop on each side.
3. See Figure 6. Assemble a 5/8 inch long hex head screw (11), Belleville washer (15) and flat washer (16) from the Side Case Kit. Insert the screw threads (with Loctite applied) through the lower forward mount (A) of the left side-case mounting bracket (7) and into the mounting point behind the passenger foot-peg bracket. Do not fully tighten at this time.
4. Assemble a two-inch long hex head screw (13) and Belleville washer (15). Insert the screw threads (with Loctite applied) through the upper rear mount (C) of the left side-case mounting bracket and into the forward mounting point of the license plate bracket. Do not fully tighten at this time.

NOTE

The footpeg support bracket mounts can be loosened to give additional clearance for mounting the side-case brackets if necessary.

5. Insert a one-inch long screw (12, with Loctite applied) and Belleville washer through the upper front mount (B) of the bracket and into the left-side trunk pan mounting point. Do not fully tighten at this time.
6. Repeat Steps 3 through 5 for right side-case mounting bracket installation.



NOTE

Verify that all Belleville washers have been installed with the inside diameter contacting the underside of the screw head.

When tightening fasteners, make sure there is solid contact between the brackets and the mounting points on the motorcycle.

7. With left and right side-case mounting brackets loosely in place, install the cross brace bracket (8) between the left and right brackets, using two 5/8 inch long hex head screws (11, with Loctite applied) and locknuts (14).

NOTE

Ambient temperature should be **at least 60° F (16° C)** for proper adhesion of the protective tape to the side case mounting brackets.

8. Tighten all side case mounting bracket fasteners to 12–13.5 N·m (108–120 in-lbs). If the footpeg support bracket mounts were loosened in Step 5, tighten the footpeg support bracket mount screws to 15–16 N·m (132–144 in-lbs).
9. Clean the side case mounting bracket tubes with a mixture of 50 to 70% isopropyl alcohol and 30 to 50% distilled water. Allow to dry thoroughly.
10. Peel the liner from the adhesive backing of the protective tape (18), and carefully position the tape to the left and right side case mounting brackets in six locations indicated (G).

Side Case Installation to Brackets

1. Place a key (9) in the lock of the side case locking latch (F), and turn the key to the OPEN position. Open the latch.
2. Attach the side case to the mounting bracket by positioning the rectangular mounting surface inside the rectangular area of the side case bracket. Slide the side case as far rearward as possible.
3. Mate the locking latch (F) with the attachment point (E) on the bracket, and close the latch. Rotate the key into the CLOSE position and remove the key. Check that the side case and latch are properly seated and locked. Repeat for the remaining case.

▲ WARNING

Check that saddlebags are completely engaged by pulling lower portion of saddlebag outward (away from bike) after installation. If saddlebags are not completely engaged, they can fall off while riding and cause loss of control, which could result in death or serious injury. (00074a)

Reflector Installation to Side Cases

▲ WARNING

Federal Motor Vehicle Safety Standard (FMVSS) 108 requires motorcycles to be equipped with rear and side reflectors. Be sure rear and side reflectors are properly mounted. Poor visibility of rider to other motorists can result in death or serious injury. (00336b)

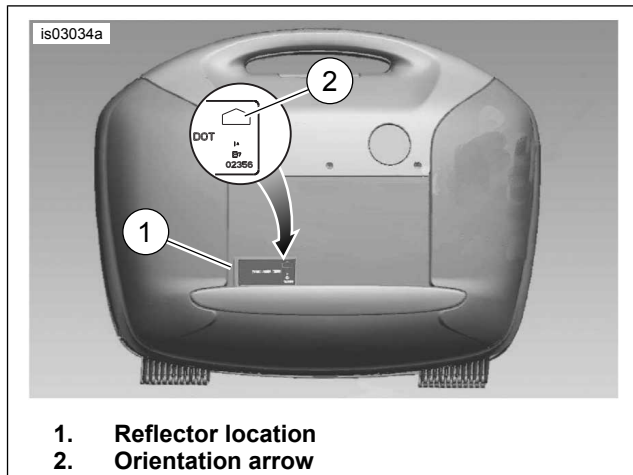


Figure 2. Reflector Mounting (Left Side)

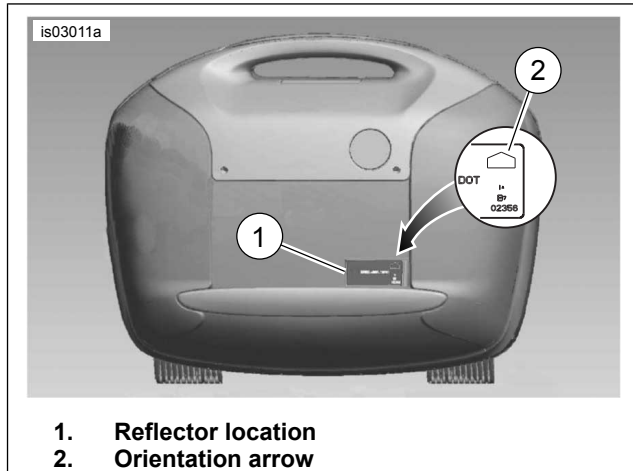


Figure 3. Reflector Mounting (Right Side)

NOTE

Ambient temperature should be **at least 60° F (16° C)** for proper adhesion of the reflector to the side case.

1. See Figure 2 and Figure 3. Clean the reflector area of the side case with a mixture of 50 to 70% isopropyl alcohol and 30 to 50% distilled water. Allow to dry thoroughly.
2. Peel the liner from the adhesive backing of the reflector. With the orientation arrow (2) on the reflector pointing up, carefully position the reflector to the side case and press firmly into place. Hold the reflector in position with steady pressure for 10-15 seconds for proper adhesion.
3. Repeat for the opposite side reflector.

NOTE

Allow **AT LEAST 24 hours** after applying the reflector before exposing the area to vigorous washing, strong water spray or extreme weather.

The adhesive bond will increase to maximum strength after about 72 hours at normal room temperature.

Top Case Bracket Installation

NOTE

Remove side cases from mounting brackets during top case bracket installation.

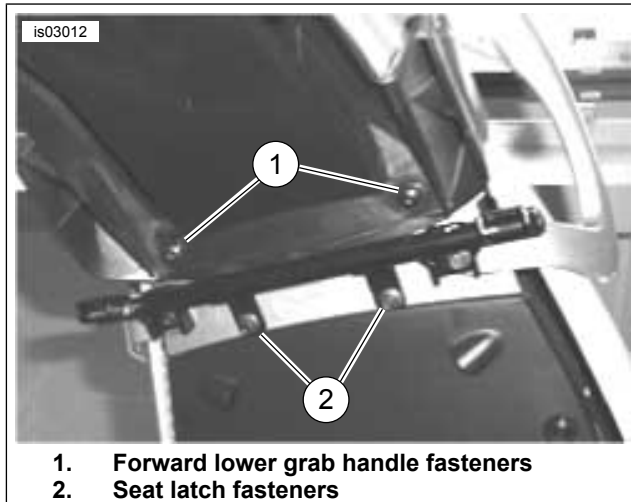
1. Refer to the Owner's Manual and follow the instructions given to remove the seat and rotate the Triple Tail™ to the forward position.

NOTE

Loctite 271 (Red) must be applied to ALL fasteners before installation.

Install Belleville (conical spring) lock washers with the inside diameter contacting the underside of the screw head.

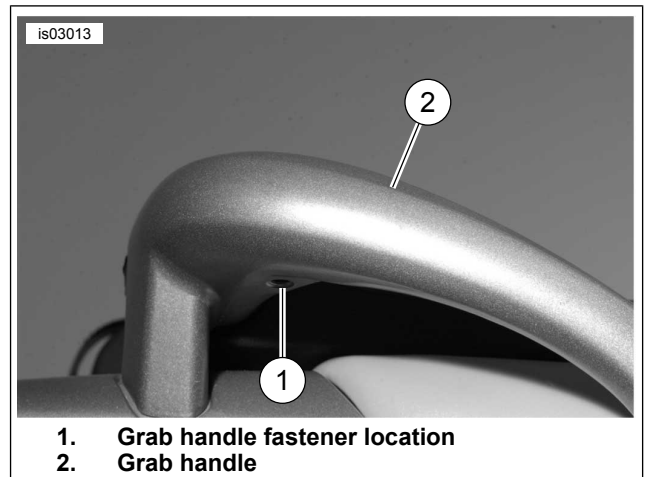
2. See Figure 4. Remove the two TORX® button head fasteners (1) retaining the front of the grab handle to the front of the tail loop. Remove the two TORX button head fasteners (2) at the center front of the tail loop that retain the seat latch bracket.



1. Forward lower grab handle fasteners
2. Seat latch fasteners

Figure 4. Grab Handle and Seat Latch Hardware

3. See Figure 7. Assemble four 1/4-20 x one inch long hex head screws (31) and four smaller Belleville washers (33) from the Top Case Kit. From the underside, insert two of the screws (with Loctite applied) through the inner mounting holes (K) of the top-case lower mounting cross-bar (25), trunk pan and tail loop, into the threaded fasteners in the seat latch bracket. Do not fully tighten at this time.
4. Insert the remaining two screws (with Loctite applied) through the outer mounting holes (J) of the cross-bar, the forward grab handle slots and into the threaded holes in the underside of the tail loop. Do not fully tighten.
5. Assemble two 5/16-18 x one inch long hex head screws (28) and two larger Belleville washers (29) from the Top Case Kit. From the underside, insert the screws (with Loctite applied) through the holes (H) in the Top-Case upper mounting bracket (24) and into the threaded holes in the underside of the grab handles (see Figure 5). Do not fully tighten at this time.



1. Grab handle fastener location
2. Grab handle

Figure 5. Grab Handle

6. Obtain the two 1/4-20 x 5/8 inch long hex head screws (30) and two black locknuts (32) from the kit. Insert the screw threads (with Loctite applied) through the holes in the cross-bar and the lower forward mounting holes (I) in the Top-Case upper mounting bracket. Loosely fasten with the locknuts.
7. Tighten the **outboard** cross-bar fasteners (J) to 12–13.5 N·m (108–120 in-lbs).
8. Tighten the **inboard** cross-bar fasteners (K) to 6.8 N·m (60 in-lbs).
9. Tighten the Top-Case upper mounting bracket fasteners (H) to 25.8–27 N·m (19–20 ft-lbs).
10. Tighten the cross bar to upper mounting bracket fasteners (I) to 12–13.5 N·m (108–120 in-lbs).

NOTE

Ambient temperature should be **at least 60° F (16° C)** for proper adhesion of the protective tape to the top case mounting bracket.

11. Refer to the Owner's Manual and rotate the Triple Tail to the upright and forward positions, checking for proper operation. The rearward position is unavailable with the Top-Case bracket installed.
12. Clean the top case mounting bracket tubes with a mixture of 50 to 70% isopropyl alcohol and 30 to 50% distilled water. Allow to dry thoroughly.
13. Peel the liner from the adhesive backing of the protective tape (34), and carefully position the tape to the top case mounting bracket in three locations indicated (G).
14. Refer to the Owner's Manual and follow the instructions given to re-install the seat.

▲ WARNING

After installing seat, pull upward on seat to be sure it is locked in position. While riding, a loose seat can shift causing loss of control, which could result in death or serious injury. (00070b)

Top Case Installation to Bracket

1. Place a key (26) in the lock of the top case locking latch, and turn the key to the OPEN position. Open the latch.
2. Attach the top case to the mounting bracket by centering the case on the bracket, and sliding the side case as far forward as possible. The ledge (L) on the upper front of the case should rest on the upright bar of the top case mounting bracket
3. Mate the locking latch with the attachment point (L) on the rear of the bracket, and close the latch. Rotate the key into the CLOSE position and remove the key. Check that the top case and latch are properly seated and locked.

In Service

The top case and side case luggage use a different key than the one used for the motorcycle ignition switch, seat and fuel filler. Record the 3 digit (XXX) key code number (stamped on the key) so replacement keys can be ordered in the event of loss.

When riding, ALL case mount and lid latches MUST REMAIN LOCKED.

SERVICE PARTS

Table 1. Service Parts Table

Kit	Item	Description (Quantity)	Part Number
Items mentioned in text, but not included in kit:			
	A	Side case bracket mounting point to passenger foot peg bracket (2)	
	B	Side case bracket mounting point to trunk pan (2)	
	C	Side case bracket mounting point to license plate bracket (2)	
	D	Side case bracket mounting point to rear cross brace (2)	
	E	Side case attachment point on bracket (2)	
	F	Side case locking latch to bracket (2)	
	G	Protective tape locations (9)	
	H	Top case upper bracket mounting point to trunk pan (2)	
	I	Top case upper bracket mounting point to lower cross bar (2)	
	J	Cross bar outboard mounting point (2)	
	K	Cross bar inboard mounting point (2)	
	L	Top case attachment point to bracket (2)	

SERVICE PARTS

Table 2. Service Parts Table

Kit	Item	Description (Quantity)	Part Number
Kit 92030-05Y consists of Side Case Kit 90057-05Y and Top Case Kit 92031-06Y			

⚠ WARNING

Do not open storage compartments while riding. Distractions while riding can lead to loss of control, which could result in death or serious injury. (00082a)

⚠ WARNING

Do not exceed saddlebag weight capacity. Put equal weight in each bag. Too much weight in saddlebags can cause loss of control, which could result in death or serious injury. (00383a)

⚠ WARNING

Do not exceed top case weight capacity. Too much weight can cause loss of control, which could result in death or serious injury. (00482c)

NOTE

Maximum load in each side case is 22 lbs (10 Kg). Maximum load in top case is 11 lbs (5 Kg).

Do not exceed 80 mph (130 km/h) with side cases and/or top case mounted. At higher speeds air turbulence or cross winds may affect motorcycle stability.

Table 2. Service Parts Table

Kit	Item	Description (Quantity)	Part Number
Kit 90057-05Y Side Case Kit	1	Side case, right (includes items 2 through 5) Side case, left (includes items 2 through 5)	90092-05Y 90081-05Y
	2	• Side case	Not sold separately
	3	• Overlay, side case cover panel (silver)	90097-05Y
	4	• Buell® emblem	90098-05Y
	5	• Warning label, side case	Not sold separately
	6	Bracket, side case mounting (right)	90089-05Y
	7	Bracket, side case mounting (left)	90085-05Y
	8	Bracket, side case cross brace	90090-05Y
	9	Key set	90117-05Y
	10	Hardware and accessory kit, side case (includes items 11 through 18)	Not sold separately
	11	• Screw, flanged hex head, 1/4-20 x 5/8 inch (16 mm) long (4)	4536Y
	12	• Screw, flanged hex head, 1/4-20 x one inch (25 mm) long (2)	4537Y
	13	• Screw, flanged hex head, 1/4-20 x two inch (51 mm) long (2)	4537Y
	14	• Lock nut, flanged hex, 1/4-20, black (2)	7981
	15	• Belleville washer, 9/16 inch (14 mm) O.D. (6)	7083Y
	16	• Flat washer (2)	BA0412-2Z
	17	• Reflector (2)	59259-90
	18	• Protective tape (6)	Not sold separately
Kit 92031-06Y Top Case Kit	19	Top case (includes items 20 through 23)	90049-05Y
	20	• Overlay, top case cover panel (silver)	92143-05Y
	21	• Cover, top case rear panel (translucent red)	92145-05Y
	22	• Buell® emblem	90098-05Y
	23	• Warning label, top case	Not sold separately
	24	Bracket, top case mounting (upper)	Not sold separately
	25	Cross bar, top case mounting (lower)	Not sold separately
	26	Key set	90117-05Y
	27	Hardware and accessory kit, top case (includes items 28 through 34)	Not sold separately
	28	• Screw, flanged hex head, 5/16-18 x one inch (25 mm) long (2)	4567Y
	29	• Belleville washer, 11/16 inch (17 mm) O.D. (2)	7082Y
	30	• Screw, flanged hex head, 1/4-20 x 5/8 inch (16 mm) long (2)	4536Y
	31	• Screw, flanged hex head, 1/4-20 x one inch (25 mm) long (4)	4537Y
	32	• Lock nut, flanged hex, 1/4-20, black (2)	7981
	33	• Belleville washer, 9/16 inch (14 mm) O.D. (4)	7083Y
	34	• Protective tape (3)	Not sold separately
Additional service items available:	35	Service kit, side case latch	90114-06Y
	36	Service kit, top case latch	90110-06Y

SERVICE PARTS

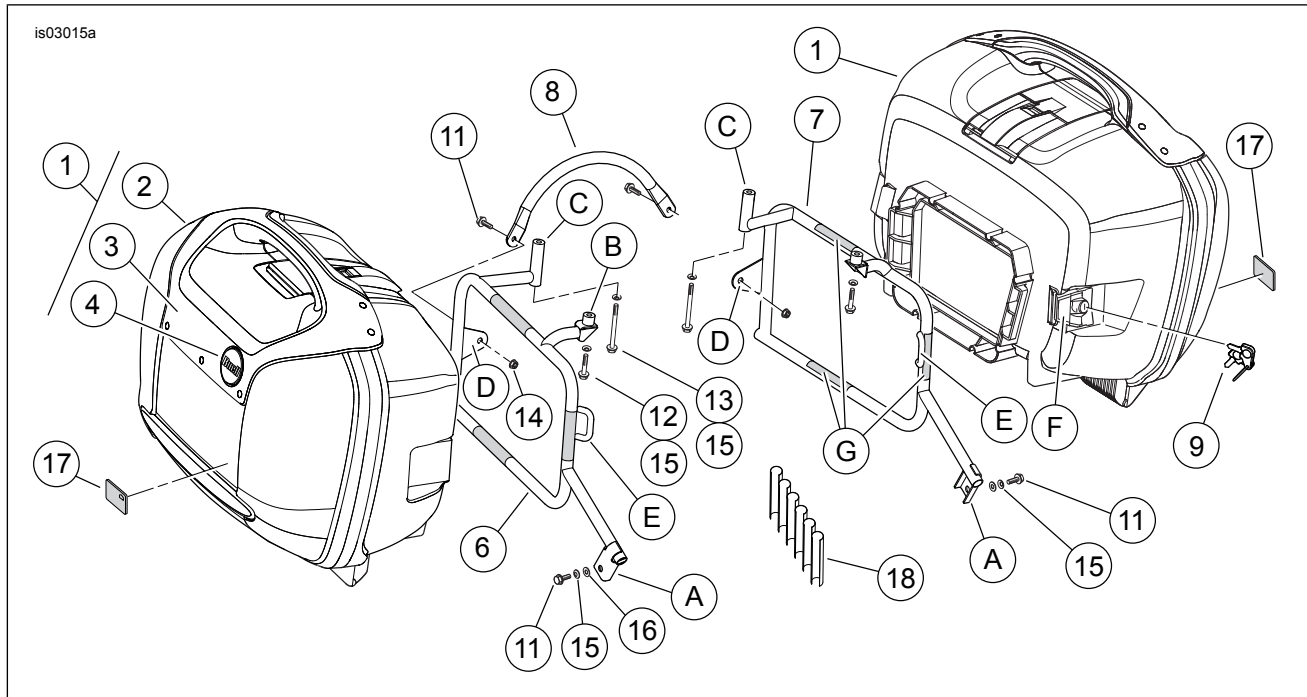


Figure 6. Service Parts: Ulysses Side Case Kit

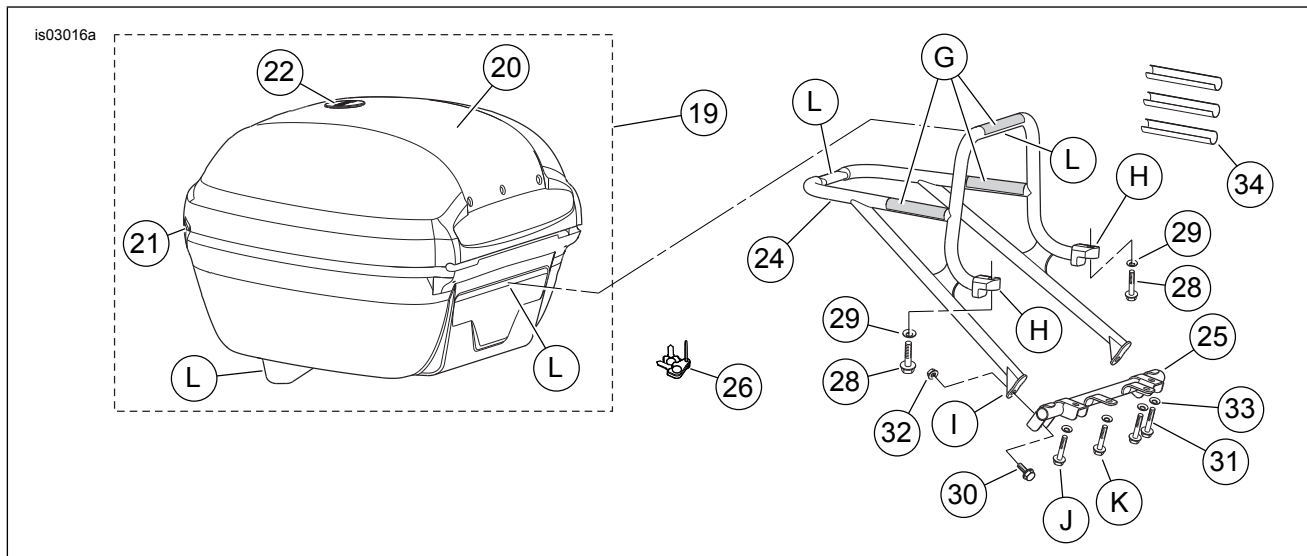


Figure 7. Service Parts, Top Case Kit