



INSTRUCTIONS

-J03562

2007-08-16

BUELL XB AIR INTAKE COVER BAG

GENERAL

Kit Number

91213-04YB, 92330-06YA

Models

For model fitment information, please see the Buell Accessories and Parts Countertop Reference Guide (CRG) or the Accessories section of www.buell.com (English only).

The map holder, secured to the bag turn latches, can be used separately or in conjunction with the air intake cover bag.

NOTE

A Service Manual for your model motorcycle is available from a Harley-Davidson dealer.

Kit Contents

See Figure 6 and Table 1.

REMOVAL

1. Remove the seat according to the instructions in the Owner's Manual.
2. Release the three quick release buckles to separate intake cover bag from mounting straps (if necessary).
3. Clean the air intake cover and ensure that it is clean and dirt free.
4. See Figure 1. Turn front wheel to the opposite side and remove front screw (1), washer (2 and 4) and bushing (5) as equipped from air intake cover. Repeat for opposite side hardware. Discard all hardware.

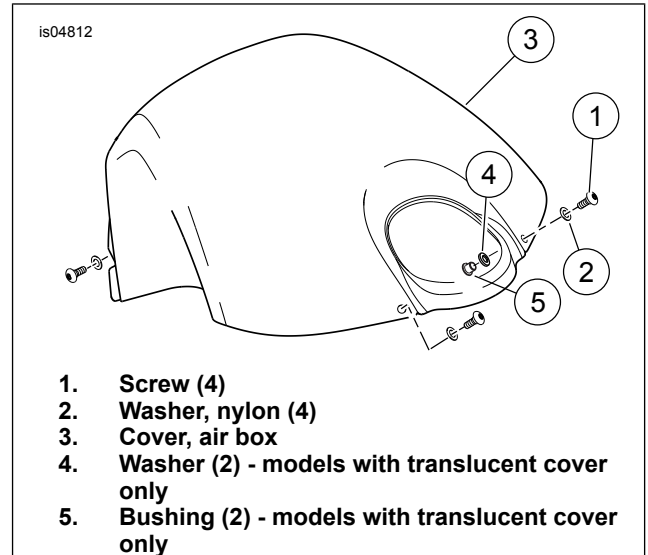


Figure 1. Air Intake Cover Removal

INSTALLATION

Install Mounting Straps

NOTE

The 1125R model uses stainless steel metric screws. All other models use black 1/4-inch UNC screws.

1. See Figure 2 and Table 1. Install quick release catch strap on air intake cover using screw (7 or 7A) and bushing (8). Position bushing as shown in Figure 4. Tighten screw to 1.4–4.1 N·m (12–36 in-lbs). Repeat for opposite side hardware.



Figure 2. Quick Release Catch Strap

-J03562



Many Harley-Davidson® Parts & Accessories are made of plastics and metals which can be recycled. Please dispose of materials responsibly.

1 / 3

- See Figure 3. With quick release buckle facing forward, fit latch strap around cover flange from one mounting hole to the other.

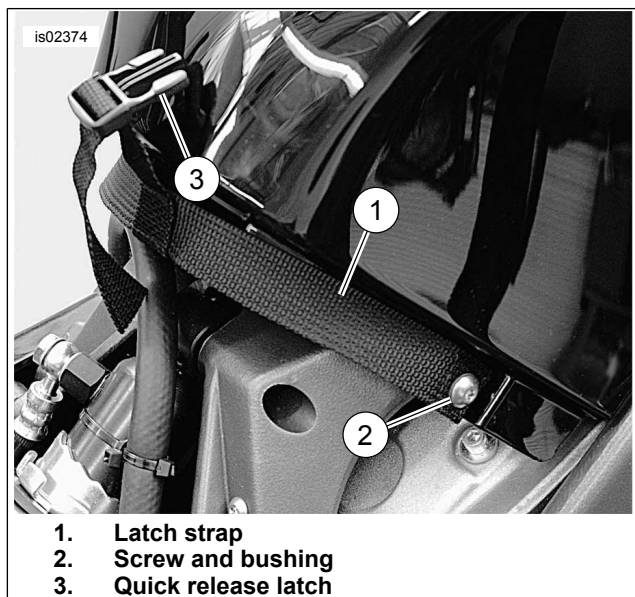


Figure 3. Rear Cover Bag Strap

- See Figure 4. Insert screw (1) and bushing (2) through each latch strap (3) hole into rear cover mounting holes. Tighten screw to 1.4–4.1 N·m (12–36 in-lbs).

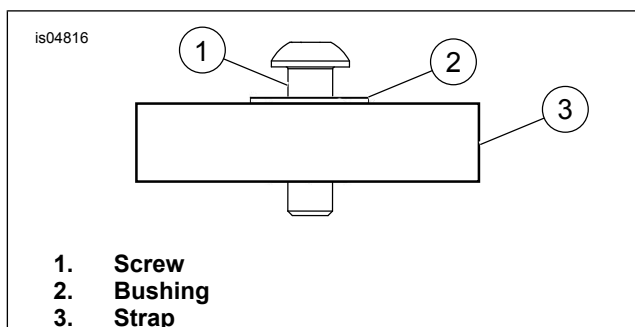


Figure 4. Screw and Bushing Configuration

Install Air Intake Cover Bag

- Center bag over air intake cover.
- Snap buckles at front of intake cover bag into quick release catches straps.

- Snap buckle at rear of intake cover bag into quick release catch strap.
- Pull free end of rear strap to tighten bag to cover.

Final Assembly

⚠ WARNING

After installing seat, pull upward on seat to be sure it is locked in position. While riding, a loose seat can shift causing loss of control, which could result in death or serious injury. (00070b)

Install seat according to the instructions in the Owner's Manual.

OPERATION

Expand Air Intake Cover Bag

⚠ WARNING

Improper loading of cargo or installation of accessories can affect motorcycle stability and handling, which could result in death or serious injury. (00099a)

See Figure 5. Expand intake cover bag as follows:

- Maximum recommended load is 5 lbs (2.3 Kg) for the intake cover bag.
- Intake cover bag may be expanded by running the single zipper pull around the bag.



Figure 5. Intake Cover Bag Expanded

SERVICE PARTS

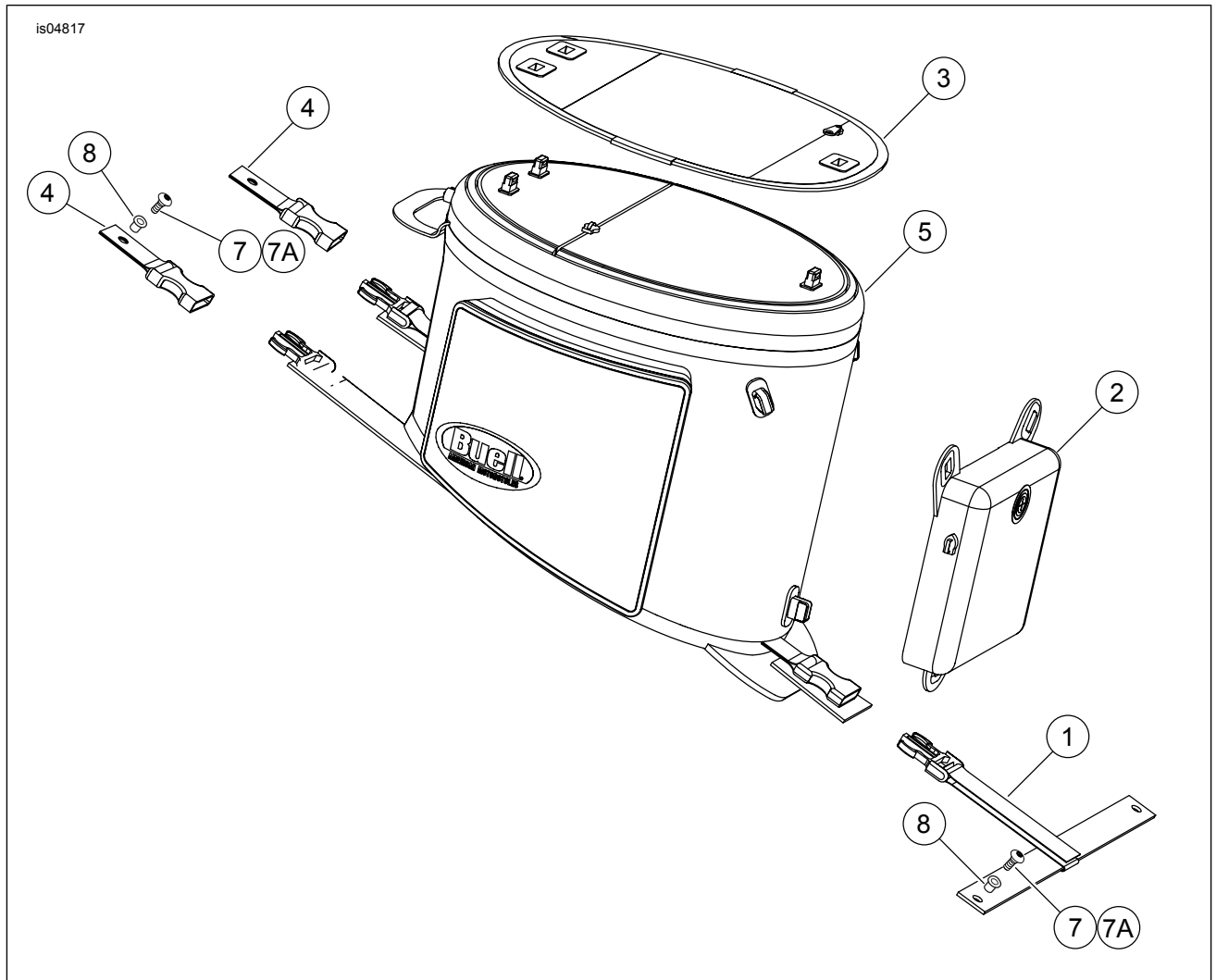


Figure 6. Service Parts: Buell Air Intake Cover Bag

Table 1. Service Parts: Buell Air Intake Cover Bag

Item	Description (Quantity)	Part Number
1	Latch strap, quick release male	92168-05Y
2	Bag, small detachable	Not Sold Separately
3	Map holder	92170-05Y
4	Catch strap, quick release female (2)	92169-05Y
5	Bag, air intake cover	Not Sold Separately
6	Rain cover, intake cover bag (not shown)	Not Sold Separately
7	Screw, 1/4-20 x 3/4 inch, TORX® black (4) - for all models except 1125R	AA0406.11CVB
7A	Screw, M6-1 x 20 mm hex, stainless steel (4) - for 1125R models only	3832M
8	Bushing (4)	C0188.3AA