

SAFETY RECALL CODE 0807 - 1997/1998 FRONT BRAKE ROTOR DRIVE PINS

GENERAL

Buell Motorcycle Company has decided that a defect which relates to motor vehicle safety potentially exists in all 1997 Buell model motorcycles and all 1998 model motorcycles shipped through September 5, 1997.

Buell has determined that the drive pin(s) used on the front brake rotor could move out of position and come in contact with the front brake caliper. This condition could prevent the front wheel from rotating. This could occur without prior warning.

As a precautionary measure, Buell Motorcycle Company elected to initiate a voluntary recall in the interest of motor vehicle safety. The condition will be remedied by replacing the drive pins on all potentially affected vehicles and/or removing and returning affected kits from dealer stock. A vehicle and dealer inventory procedure is contained within this bulletin.

NOTE

Do not sell any rotor kits previously shipped to you.

DEALER ACTION, AFFECTED VEHICLES

Buell Distribution Corporation has attached a complete list of all vehicles shipped to your dealership involved in this recall. To ensure the safety of all affected riders, it is your responsibility to perform the required service on all affected vehicles, even if the motorcycle was not purchased from your dealership.

NOTE

If no list is attached to this bulletin, you were not shipped any affected vehicles.

If you are not sure that a safety recall has been completed on a particular Buell motorcycle, contact the recall hotline at 1-800-448-1708.

Also included with this bulletin is a sufficient supply of owner notification letters to assist you with the notification process for customers who may have received these parts at the retail level. As Buell Motorcycle Company has no record of who may have received these parts, it is your responsibility to notify each of your customers. In this case, since the recall involves parts and not a vehicle, the recall hotline referenced above WILL NOT BE ABLE TO ASSIST YOU.

IMPORTANT NOTE

Because only registered owners, as shown on the attached list, will receive notification from Buell Distribution Corporation, we request that you contact any owners of vehicles still listed as unregistered. Advise them of the safety recall and make arrangements for them to come in for recall service. We also require that you provide us with their names, addresses and V.I.N.s as soon as possible. This will enable us to mail them an owner's letter as required by National Traffic and Motor Vehicle Safety Act, as amended.

Shipment of replacement original equipment drive pin kits, Part No. 93822Y, FOR AFFECTED VEHICLES ONLY, will begin on or before September 23, 1997. All kits for vehicles originally equipped with affected drive pin assemblies will be shipped direct from Buell Motorcycle Company, no charge, transportation paid.

INSTALLATION

1. Place a clean shop towel on the wheel rim near the drive pin assembly to be updated.

⚠WARNING

Always wear proper eye protection when removing E-clips. The E-clips are highly compressed in the drive pin recess. Slippage may propel the E-clip with enough force to cause eye injury.

2. See [Figure 1](#). Remove existing drive pin assemblies two at a time.
 - a. Gently pry E-clip (1) away from drive pin (5).
 - b. Completely remove E-clip using a thin bladed screwdriver. Discard E-clip.
 - c. Remove and discard flat washer (2), wave washer (3) and drive pin (5).
3. See [Figure 2](#). Install **new** drive pin hardware through rotor (5) and carrier (8).
 - a. Place drive pin (6) between rotor and carrier. Shoulder on drive pin faces away from wheel hub.
 - b. Insert bolt (7) through drive pin (6).
 - c. Install wave washer (4) on back side of rotor.
 - d. Install flat washer (3).
 - e. Install drive pin flat washer (2).

ROUTING	SERVICE MANAGER	SALES MANAGER	PARTS MANAGER	LEAD TECHNICIAN	TECHNICIAN NO. 1	TECHNICIAN NO. 2	TECHNICIAN NO. 3	TECHNICIAN NO. 4	RETURN THIS TO:
INITIAL HERE									

4. Check that flat washer (3) has not fallen between drive pin (6) and drive pin flat washer (2). Install nut (1).
 - a. On cast wheels, torque nut (1) to 7.5-10 ft-lbs (10.2-13.6 Nm).
 - b. On aluminum PM wheels, tighten nut (1) until flush to drive pin flat washer (2). Then turn an additional 60 degrees (one flat on nut).
5. Repeat Steps 1-4 until all drive pin assemblies have been updated.
6. Inspect each drive pin assembly. There must be a minimum clearance of 0.050 in. (1.27 mm) between drive pin assembly and caliper mount bolts.

CLAIM FILING PROCEDURES

Upon completion of the recommended service, send in a properly completed BUELL WARRANTY CLAIM FORM (Part No. 99520-95Y).

NOTE

It is important that these specific instructions be followed as outlined in each case. This will allow for accurate tracking and reporting as required by the National Highway Traffic Safety Administration. Following these instructions will also insure more timely credits.

1. Parts in Dealer Stock

Remove all affected rotor kits (P/Ns 45178-98Y, 45175-96Y and 45153-97Y) from your stock. To receive credit for parts from stock, complete a BUELL WARRANTY CLAIM FORM (Part No. 99520-95Y), referencing Service Bulletin B-013 in the "Description of Repair" section. Fill in the rest of the claim as shown in [Table 1](#).

Table 1. Parts in Dealer Stock

Claim Type	BPR
Quantity	See NOTE below
Event 1, Problem Part No.	See NOTE below
Part Description	Drive pin kit
Customer Concern Code	9205
Condition Code	3203

NOTE

Quantity and problem part number will vary depending on dealer stock.

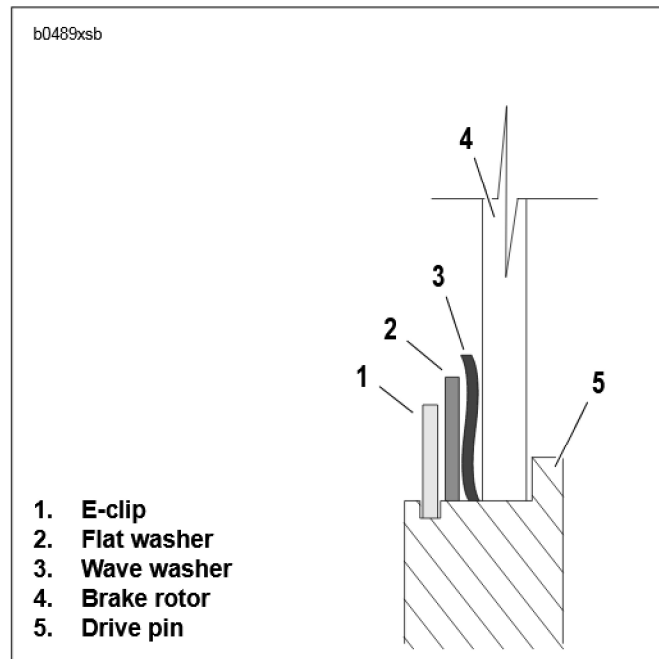


Figure 1. Drive Pin Assembly

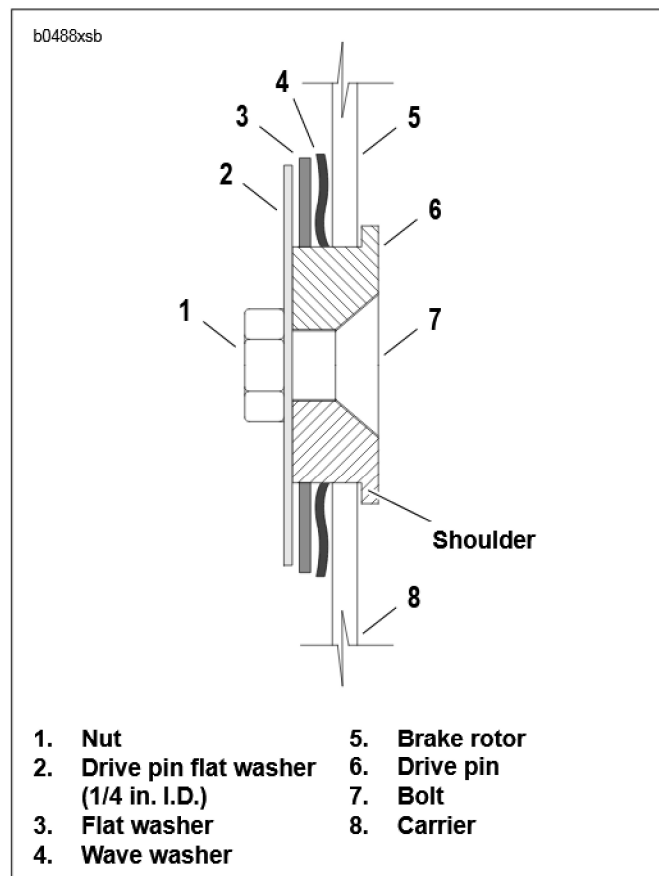


Figure 2. New Drive Pin Assembly

2. Parts Sold Over the Counter, Not Installed

Follow the same claim filing procedure as “Parts In Dealer Stock.” For each customer purchased rotor kit, the dealer must provide a full refund. You must provide Harley-Davidson with a customer receipt in addition to the completed claim form.

3. Affected Original Equipment Vehicles and Dealer Installed Kits

Buell Motorcycle Company will ship replacement drive pin kits, Part No. 93822Y, only for your affected vehicles. Your appropriate number of kits will be shipped no charge, transportation paid. You do not need to order kits for your vehicles originally equipped with the affected drive pins. For each affected Buell motorcycle serviced, fill out a separate BUELL WARRANTY CLAIM FORM (Part No. 99520-95Y) as shown in [Table 2](#).

NOTE

You must provide the affected vehicle V.I.N. on the claim form, one claim per affected vehicle serviced.

For those vehicles not originally equipped with the affected drive pins on which a P&A kit (P/Ns 45178-98Y, 45175-96Y or 45153-97Y) was installed, you must call Sarah Ottallah, Buell Distribution Corporation, at 1-414-343-4358 for a replacement kit. You will be required to provide the V.I.N. of the vehicle in order for a replacement kit to be shipped. These kits will also be sent no charge, transportation paid.

For the vehicles on which a P&A kit (P/Ns 45178-98Y, 45175-96Y or 45153-97Y) was installed, fill out a separate BUELL WARRANTY CLAIM FORM (Part No. 99520-95Y) as shown in [Table 3](#).

NOTE

You must provide the V.I.N. of the vehicle on which the affected P&A kit was installed on the claim form, one claim per affected kit replaced.

CREDIT PROCEDURE

1. Vehicle Claims Only

Upon receipt of the properly completed claim form(s), you will receive the appropriate credit for labor.

2. Parts in Dealer Stock Claims

Upon receipt of the properly completed claim form(s), you will receive a bar coded label(s) requiring you to return the affected rotor kits removed from your stock. Return the tagged and labeled rotor kit following normal warranty parts return procedures using the red, white and blue shipping label, Form 1248, by the date shown on the bar coded label. Once returned, you will receive appropriate credit for parts and any postage costs incurred.

Please be sure the kits are properly tagged and that you note on the tag, “Kits from Stock.” You will receive appropriate credit for your parts from stock and any postage incurred in this case as well.

Table 2. Affected Original Equipment Vehicles

Claim Type	BRC
Quantity	0
Event 1, Problem Part No.	93822Y
Part Description	Drive pin kit
Primary Labor Code	2435
Time (includes 0.1 hour administration time)	0.5
Customer Concern Code	9205
Condition Code	3203

Table 3. Dealer Installed P&A Kit

Claim Type	BPR
Quantity	0
Event 1, Problem Part No.	Part No. 45178-98Y or 45175-96Y or 45153-97Y
Part Description	Rotor/carrier kit
Primary Labor Code	2435
Time (includes 0.1 hour administration time)	0.5
Customer Concern Code	9205
Condition Code	3203

B-013

TYPE CODE	ORDER TYPE	VEHICLE IDENTIFICATION NUMBER
R	REGULAR	
P	POLICE	
D	DOWN VEHICLE	
W	WARRANTY	

DEALER ORDER	
ORDER DATE	
DEALER NO.	
ORDER TYPE	D-W
WARRANTY CLAIM NO.	

S O NAME _____ SH NAME _____
 L I P ADDRESS _____ HI ADDRESS _____
 T O CITY/STATE/ZIP _____ TI CITY/STATE/ZIP _____

FOR OFFICE USE ONLY	
ACCT.	111-630.8
FRT. ACCT.	111-630.8

QUANTITY	PART NUMBER
	93822Y
	Code 0807:
	<i>NOTE: All orders subject to approval. You may not receive the total quantity of kits ordered, due to parts availability. If this happens, please submit another order for the balance.</i>

WARRANTY CODE 0807

PLEASE USE PART NUMBERS
DO NOT USE FOR
CORRESPONDENCE

PLEASE USE PART NUMBERS
DO NOT USE FOR
CORRESPONDENCE

ALL ORDERS SUBJECT TO ACCEPTANCE AT MILWAUKEE, WI 53201
 All goods covered by this order, including goods not ordered, will be shipped as ordered. Goods are purchased for resale and delivery to make to purchaser F.O.B. Buell, Milwaukee, Wisconsin on date of order. If accepted, the order is accepted and all goods are available for delivery to purchaser. Any delay in shipment shall be the responsibility of the purchaser and no liability shall be assumed for delay. Any request for cancellation or return of goods must be made to Buell prior to the date of shipment and in case of non-shipment or late shipment, Buell is not responsible for contractor and payment of all Federal, State and local taxes that apply to the sale.