

-J03714

2005-03-22

RIDER AND PASSENGER HEEL GUARDS

GENERAL

Kit Number

46388-05Y, 46389-05Y, 50777-06Y, 50778-06Y

Models

These kits are designed to fit all 2003 and later Buell XB model motorcycles (except Ulesses XB/2X models).

Kit Contents

Kit part number 46388-05Y consists of two rider heel guards.

Kit part number 46389-05Y consists of two passenger heel guards.

There are no Service Parts available with these kits.

INSTALLATION

Rider Heel Guard

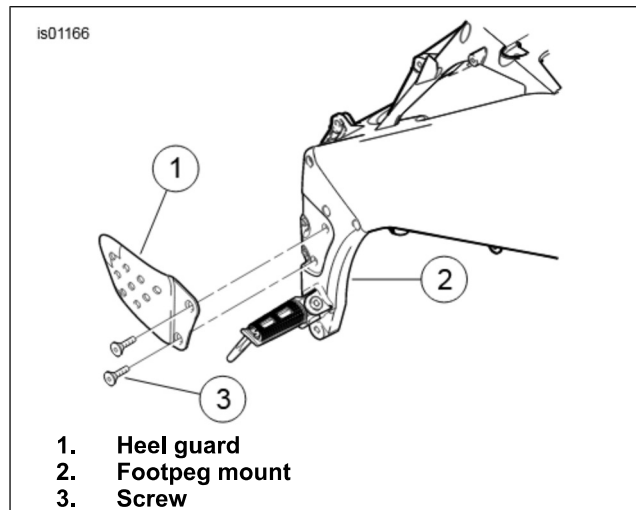


Figure 1. Rider Heel Guard Replacement

1. See Figure 1. Remove the two screws (3) holding the stock rider heel guard to the footpeg mount.
2. Position the new rider heel guard from the kit. Use the same two screws to attach the guard. Tighten to 8–11 N·m (72–96 in-lbs). Repeat for other side.

Passenger Heel Guard

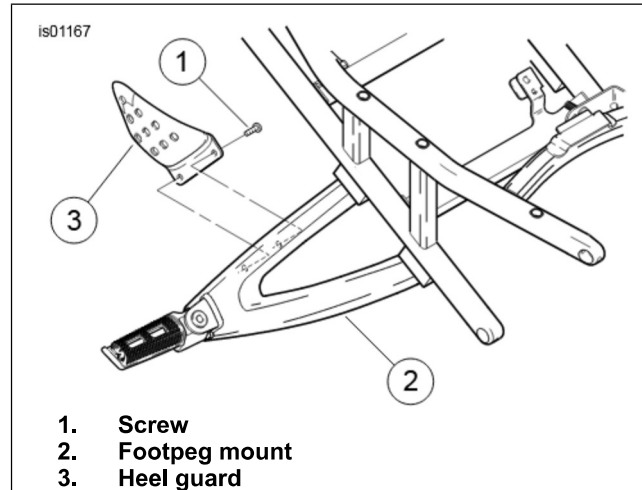


Figure 2. Passenger Heel Guard Replacement

1. See Figure 2. Remove the two screws (1) holding the stock passenger heel guard (2) to the footpeg mount (3).
2. Position the new passenger heel guard from the kit. Use the same two screws to attach the guard. Tighten to 5–8 N·m (48–72 in-lbs). Repeat for other side.