

## Filtrafine TKV Series Filter Housings

*Multi-Cartridge Filter Housings with an Innovative Sealing System Allowing Maximum Flexibility in a Wide Range of Applications*

- 150 psig Maximum Operating Pressure Permits Use in a Wide Range of Application
- Innovative Sealing System Accepts Single Open End or Double Open End Cartridges Allowing Maximum Flexibility in Filter Cartridge Selection
- Housing Accepts Seven-10", 20", 30", 40" Cartridges Allowing Optimum System Design
- 304 or 316 Stainless Steel Materials of Construction for Maximum Corrosion Resistance
- Optional Electropolish Finish is Available
- Operator Friendly V-Clamp Closure Allows Quick and Easy Cartridge Change Out
- 3, 5, 7, 9 and 12 Round Models are Also Available



### Housing Specifications

#### Materials of Construction:

	<u>A</u>	<u>S</u>
• Head:	304 Stainless Steel	316 Stainless Steel
• Shell:	304 Stainless Steel	316 Stainless Steel
• Vent Cap:	304 Stainless Steel	316 Stainless Steel
• Drain Plug:	304 Stainless Steel	316 Stainless Steel
• Bottom Seat Plate:	304 Stainless Steel	316 Stainless Steel
• Internal Components:	304 Stainless Steel	316 Stainless Steel
• Shell O-rings:	Standard:	EPDM
	Optional:	Viton, Teflon Encapsulated Viton, Silicone

#### Connections:

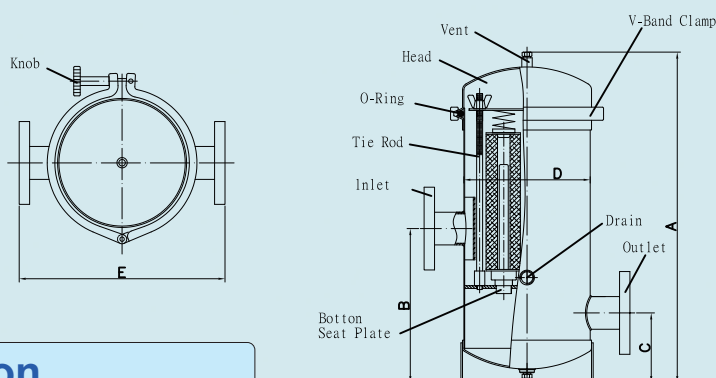
- Inlet/Outlet: 1.5"~3" (48.3~88.9mm) NPT, ANSI Flange
- Vent: 1/4" (13.7mm) NPT
- Drain: 3/4" (26.7mm) NPT
- Optional Connection: JIS, DIN Flanged, PT, BSP

### Performance Specifications

- Maximum Operating Pressure: 150 psig (10.3 bar) @ 200°F (93°C) in Liquid Service  
(TKV Series Housings not Recommend for Gas Service)

## Dimensional Data

Model	Liquid Flow Rate gpm (lpm)	Dimension Inches (mm)				Maximum Cartridge Diameter Inches (mm)	Weight lbs (kg)	Overhead Clearance Required for Cartridge Removal Inches (mm)
		A	B	C	D			
3TKV1-1.5	to 15 (57)	23.0" (584)	11.1" (283)	5.0" (128)	6" (165)	2.75" (70)	21.8 (9.9)	29.6" (752)
6TKV2-1.5	to 30 (114)	33.0" (838)	11.1" (283)	5.0" (128)	6" (165)	2.75" (70)	27.3 (12.4)	39.6" (1006)
9TKV3-1.5	to 60 (171)	43.0" (1092)	11.1" (283)	5.0" (128)	6" (165)	2.75" (70)	33.1 (15)	49.6" (1260)
5TKV1-2	to 25 (95)	23.5" (598)	11.1" (283)	5.0" (128)	8" (210)	2.75" (70)	33.1 (15)	19.8" (504)
10TKV2-2	to 50 (190)	33.5" (852)	11.1" (283)	5.0" (128)	8" (210)	2.75" (70)	39.2 (17.8)	29.8" (758)
15TKV3-2	to 75 (285)	43.5" (1106)	11.1" (283)	5.0" (128)	8" (210)	2.75" (70)	45.4 (20.6)	39.8" (1012)
20TKV4-2	to 100 (380)	54.0" (137)	11.1" (283)	5.0" (128)	8" (210)	2.75" (70)	53.1 (24.1)	59.8" (1520)
7TKV1-2	to 35 (133)	24.0" (607)	11.1" (283)	5.0" (128)	9" (232)	2.75" (70)	34.2 (15.5)	29.8" (758)
14TKV2-2	to 70 (266)	33.9" (861)	11.1" (283)	5.0" (128)	9" (232)	2.75" (70)	39.9 (18.1)	39.8" (1012)
21TKV3-2	to 100 (375)	43.9" (1115)	11.1" (283)	5.0" (128)	9" (232)	2.75" (70)	46.1 (20.9)	49.8" (1266)
28TKV4-2	to 125 (470)	54.3" (1379)	11.1" (283)	5.0" (128)	9" (232)	2.75" (70)	53.8 (24.4)	60.2" (1530)
27TKV3-2.5	to 135 (513)	47.9" (1216)	14.6" (370)	6.3" (159)	10" (268)	2.75" (70)	48.7 (22.1)	73.7" (1872)
36TKV4-2.5	to 180 (684)	58.3" (1480)	14.6" (370)	6.3" (159)	10" (268)	2.75" (70)	56.4 (25.6)	94.1" (2390)
36TKV3-3	to 210 (794)	46.5" (1180)	13.0" (330)	6.7" (170)	12" (312)	2.75" (70)	54.0 (24.5)	52.1" (1323)
48TKV4-3	to 240 (912)	56.5" (1434)	13.0" (330)	6.7" (170)	12" (312)	2.75" (70)	59.5 (27)	62.1" (1577)



## Ordering Information

14 No. of 10" Equiv	TKV Product Name	2 No. of 10" Equiv. Per Column	A- Material of Construction	2 Inlet / Outlet Connection Size	F Connection Style	A- Connection Specification	3- Cartridge Type	EP Option
3, 6, 9, 5, 10, 15, 7, 14, 21, 27, 28, 36, 48	TKV	1 = 10" 2 = 20" 3 = 30" 4 = 40"	A = SS304 S = SS316	1.5 = 1.5" 2 = 2" 2.5 = 2.5" 3 = 3"	F = Flange T = Thread	A = ANSI J = JIS D = DIN N = NPT	DOE 3 = SOE with 222 O-rings, Flat Closed End 8 = SOE with 222 O-rings, Fin End 7 = SOE with 226 O-rings, Fin End	Electro Polished