

# NICKEY \* KEHOE

## SPINDLE BACK VIEWING CHAIR

31" W x 35" D x 29" H



Shown In Nickey Kehoe Twill in Walnut and Saddle with Matching Ottoman

Our Spindle Back Viewing Chair gives traditional seating a first-class upgrade. A handcrafted open silhouette lends a sense of lightness, revealing expert craftsmanship and sophisticated details. Like all NK Collection pieces, this item is fully customizable. Matching ottoman available at request.

### Dimensions

31" W x 35" D x 29" H

### Matching Ottoman

27" W x 30" D x 18" H

### COM (Customer's Own Material)

Chair: 5 yds plain; 5-7 yds print

Ottoman: 3 yds plain; 3-4 yds print

### COL (Customer's Own Leather)

Chair: 120 sq ft

Ottoman: N/A

### COT (Customer's Own Trim)

Chair: 12 yds pre-made piping

Ottoman: 8 yds pre-made piping

### Contrast Welt

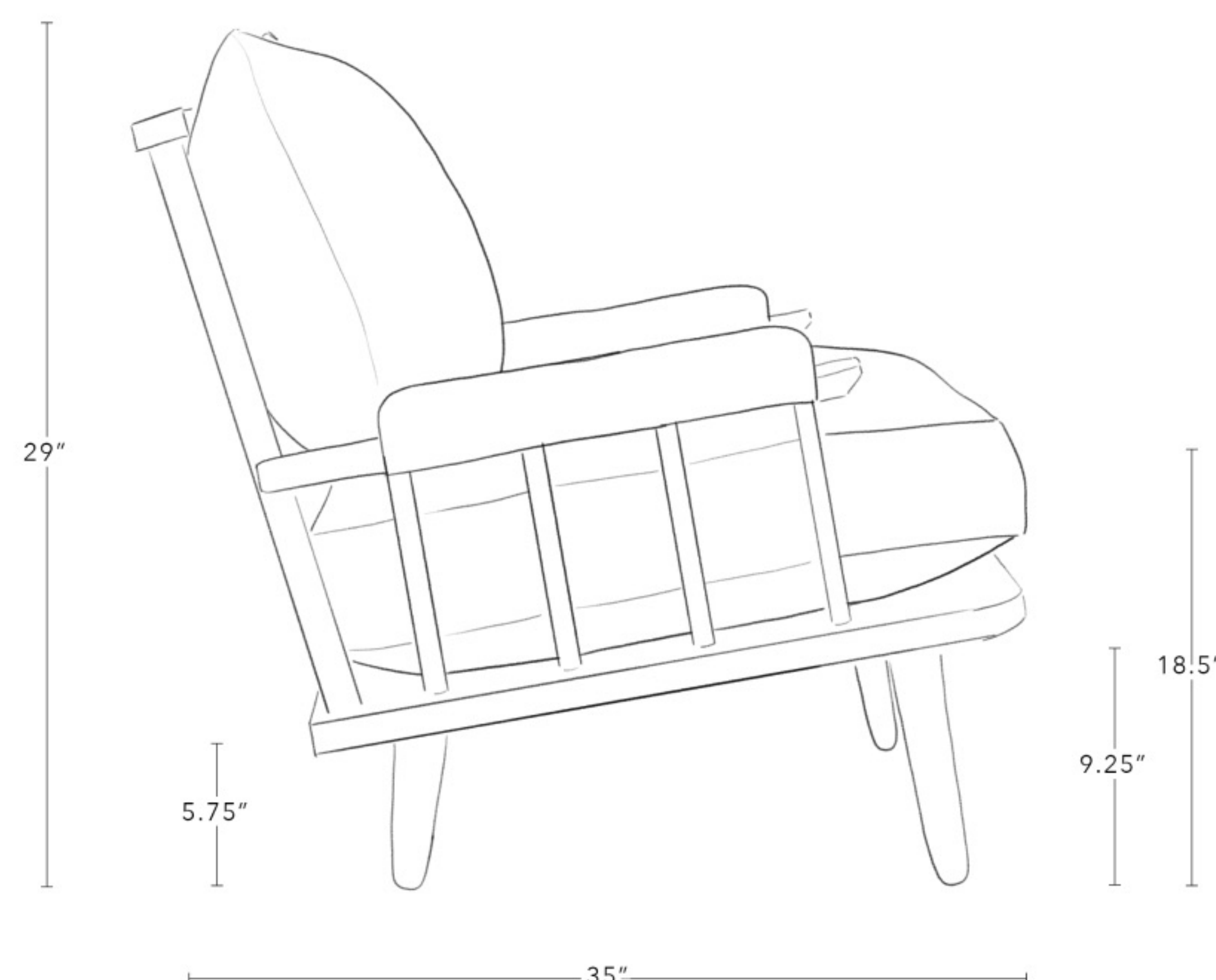
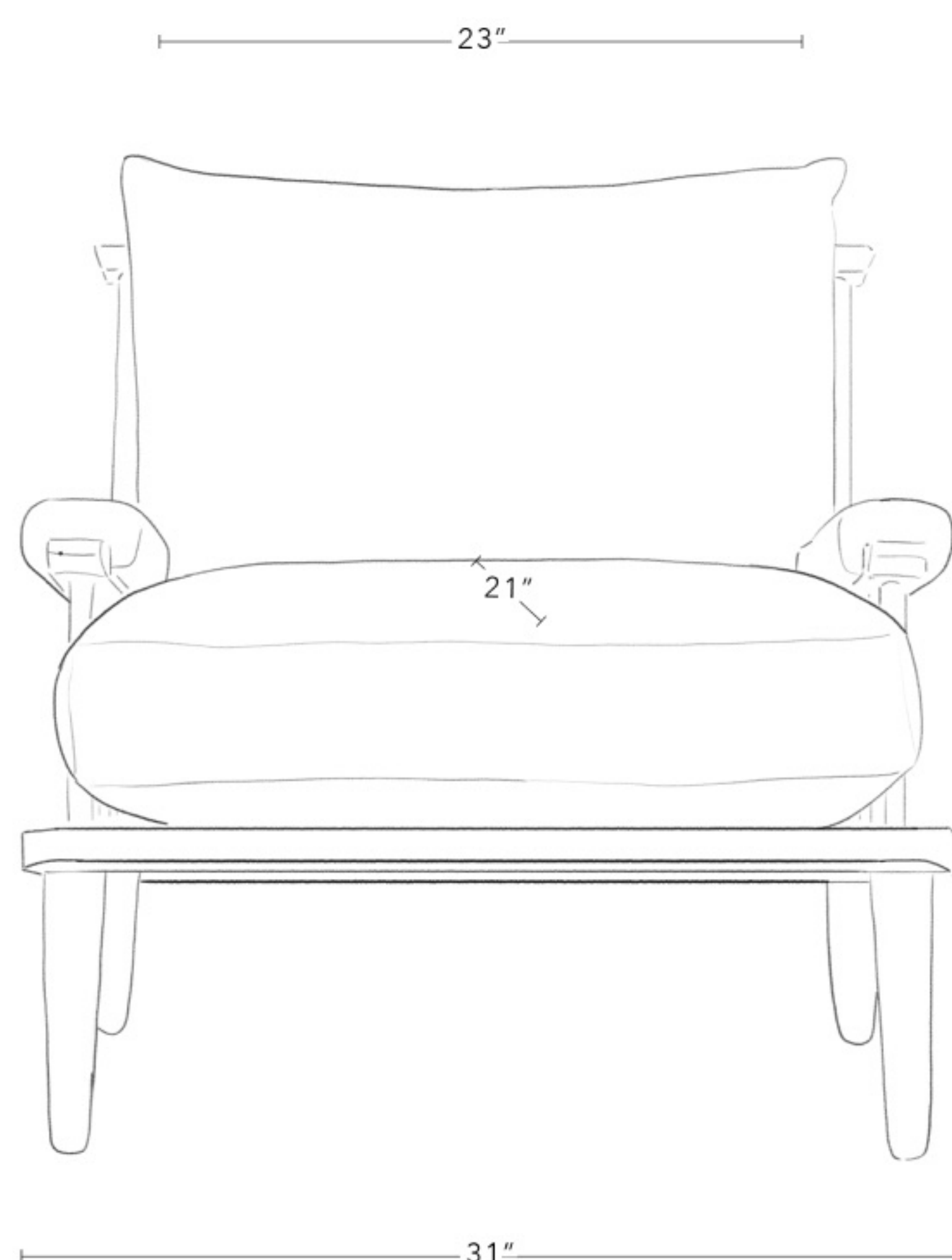
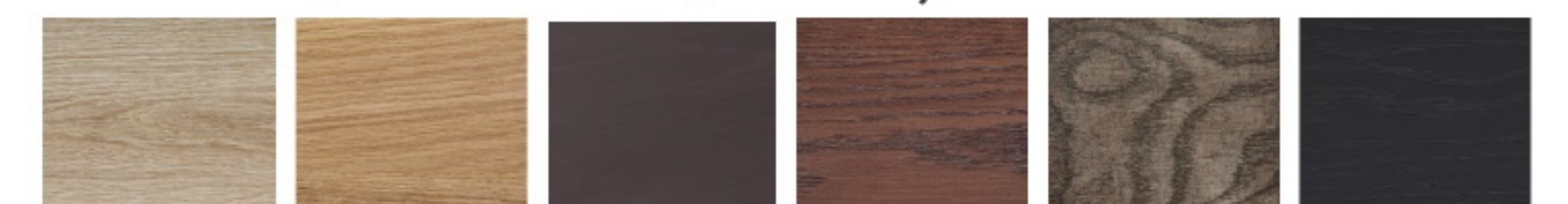
Chair: 2 yds contrast welt

Ottoman: 1 yd contrast welt

**Materials** White Oak, 18/18 Foam

### Standard Finishes

Bleached Oak, Natural Oak, Saddle, Smoked, Dark Oak, Ebony



# NICKEY \* KEHOE

## SPINDLE BACK VIEWING OTTOMAN

27" W x 30" D x 18" H



Shown In Nickey Kehoe Twill in Walnut and Saddle

Traditional seating gets a first-class upgrade. Designed to accompany our Spindle Back Viewing Chair, this matching wood ottoman leans on the same light, open silhouette and sophisticated details that make our Spindle Back Collection a Nickey Kehoe favorite.

### Dimensions

27" W x 30" D x 18" H

### Matching Chair

31" W x 35" D x 29" H

### COM (Customer's Own Material)

Chair: 5 yds plain; 5-7 yds print

Ottoman: 3 yds plain; 3-4 yds print

### COL (Customer's Own Leather)

Chair: 120 sq ft

Ottoman: N/A

### COT (Customer's Own Trim)

Chair: 12 yds pre-made piping

Ottoman: 8 yds pre-made piping

### Contrast Welt

Chair: 2 yds contrast welt

Ottoman: 1 yd contrast welt

**Materials** White Oak, 18/18 Foam

### Standard Finishes

Bleached Oak, Natural Oak,  
Saddle, Smoked, Dark Oak, Ebony

