

NICKEY * KEHOE

ENGLISH ROLL ARM CHAIR, SMALL

32" W x 41" D x 36" H



Shown in Pierre Frey Archival Print Emilie O and Dark Oak, Small

Light the fire, grab your favorite book (or device) and curl up in high style. The English Roll Arm Chair, a smart update on a classic, is designed for contemplative rainy days, good gossip and lively entertaining - even for a party of one. A matching ottoman is a graceful addition, inviting you to sit back, put your feet up and enjoy your own sanctuary.

Dimensions

32" W x 41" D x 36" H

Matching Ottoman

26" W x 22" D x 19" H

All Available Dimensions

Small: 32" W x 41" D x 36" H

Large: 36" W x 43" D x 37" H

COM (Customer's Own Material)

Small Chair: 10 yds plain; 10-13 yds print

Small Ottoman: 4 yds plain, 4-5 yds print

COT (Customer's Own Trim)

Chair: 16 yds pre-made piping

Ottoman: 8 yds pre-made piping

Contrast Welt

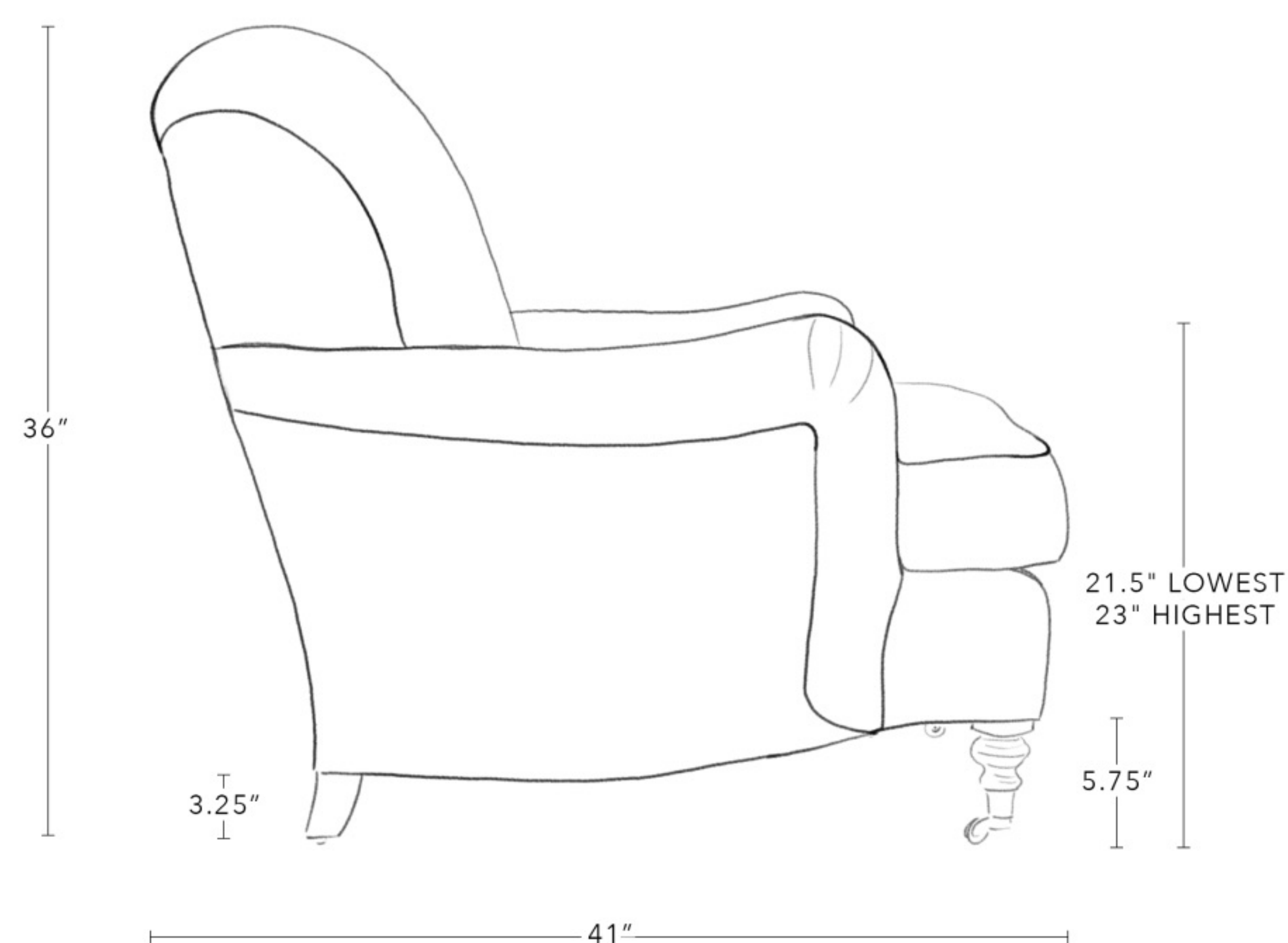
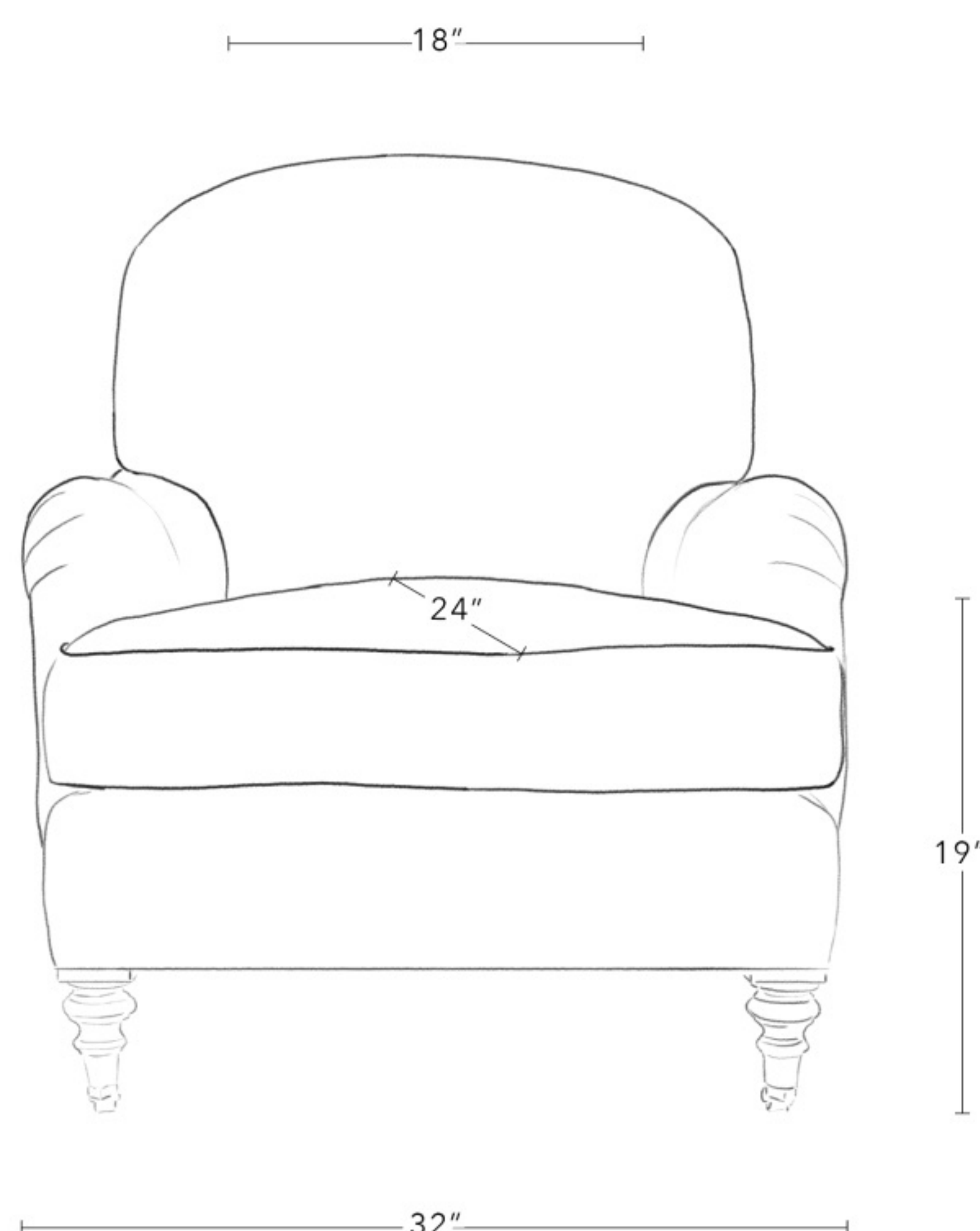
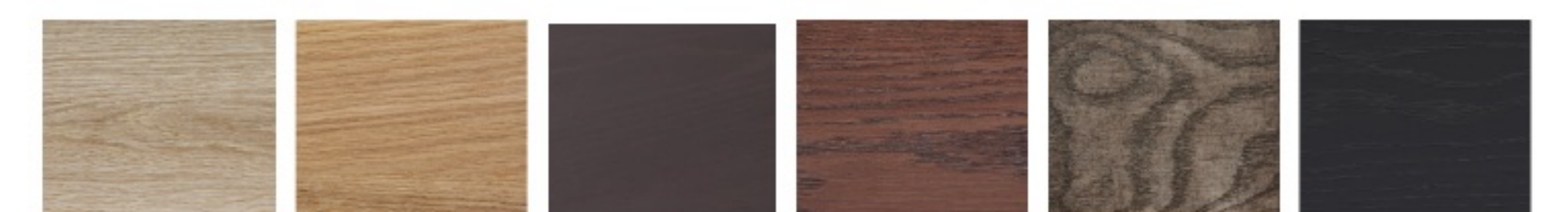
Small Chair: 2 yds contrast welt

Small Ottoman: 1 yd contrast welt

Materials White Oak, 18/18 Foam

Standard Finishes

Bleached Oak, Natural Oak, Saddle, Smoked, Dark Oak, Ebony



NICKEY * KEHOE

ENGLISH ROLL ARM CHAIR, LARGE

36" W x 43" D x 37" H



Shown in Pierre Frey Archival Print Emilie O and Dark Oak, Small

Light the fire, grab your favorite book (or device) and curl up in high style. The English Roll Arm Chair, a smart update on a classic, is designed for contemplative rainy days, good gossip and lively entertaining - even for a party of one. A matching ottoman is a graceful addition, inviting you to sit back, put your feet up and enjoy your own sanctuary.

Dimensions

36" W x 43" D x 37" H

Matching Ottoman

30" W x 24" D x 17" H

All Available Dimensions

Small: 32" W x 41" D x 36" H

Large: 36" W x 43" D x 37" H

COM (Customer's Own Material)

Large Chair: 11 yds plain; 11-13 yds print

Large Ottoman: 4 yds plain, 4-6 yds print

COT (Customer's Own Trim)

Chair: 16 yds pre-made piping

Ottoman: 8 yds pre-made piping

Contrast Welt

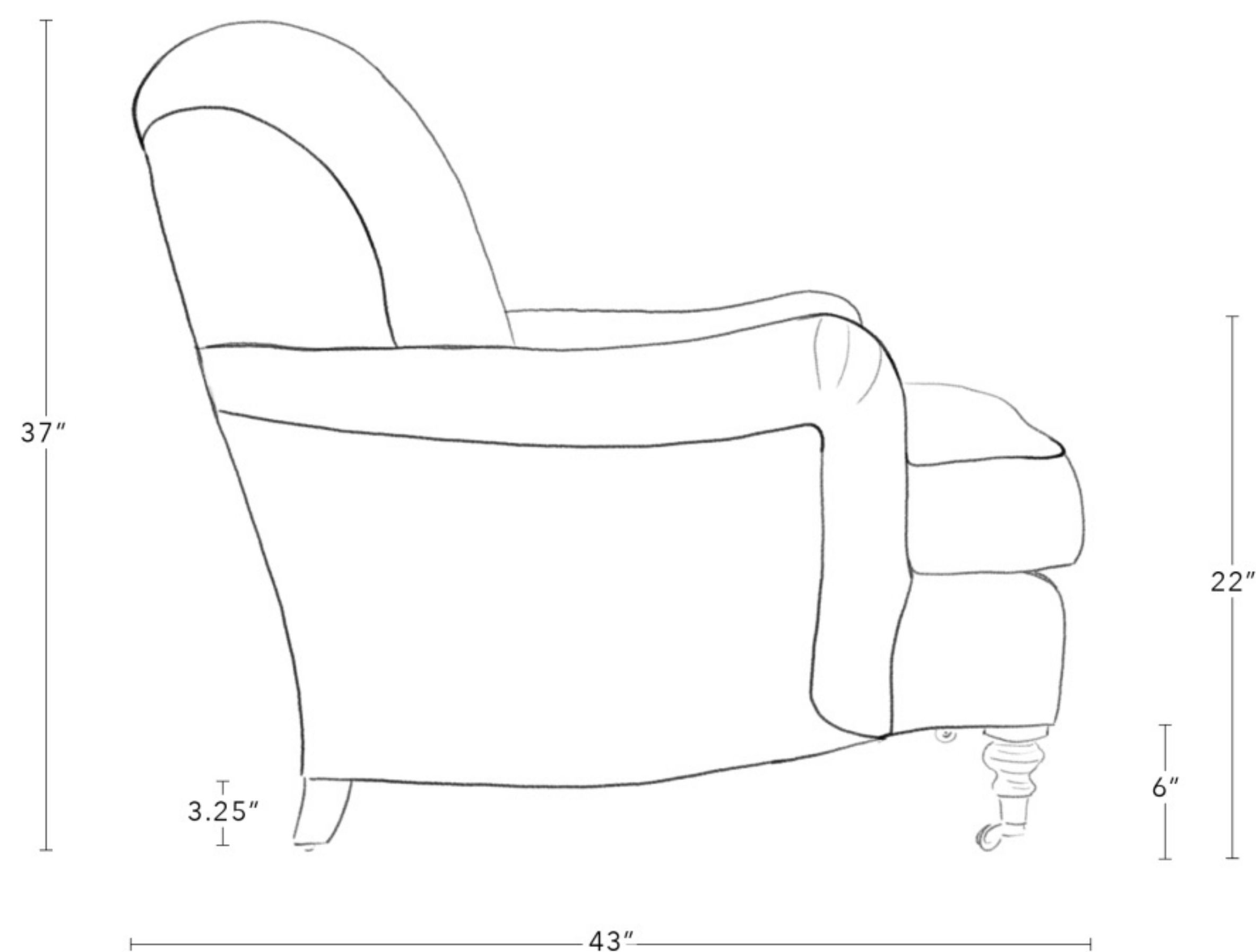
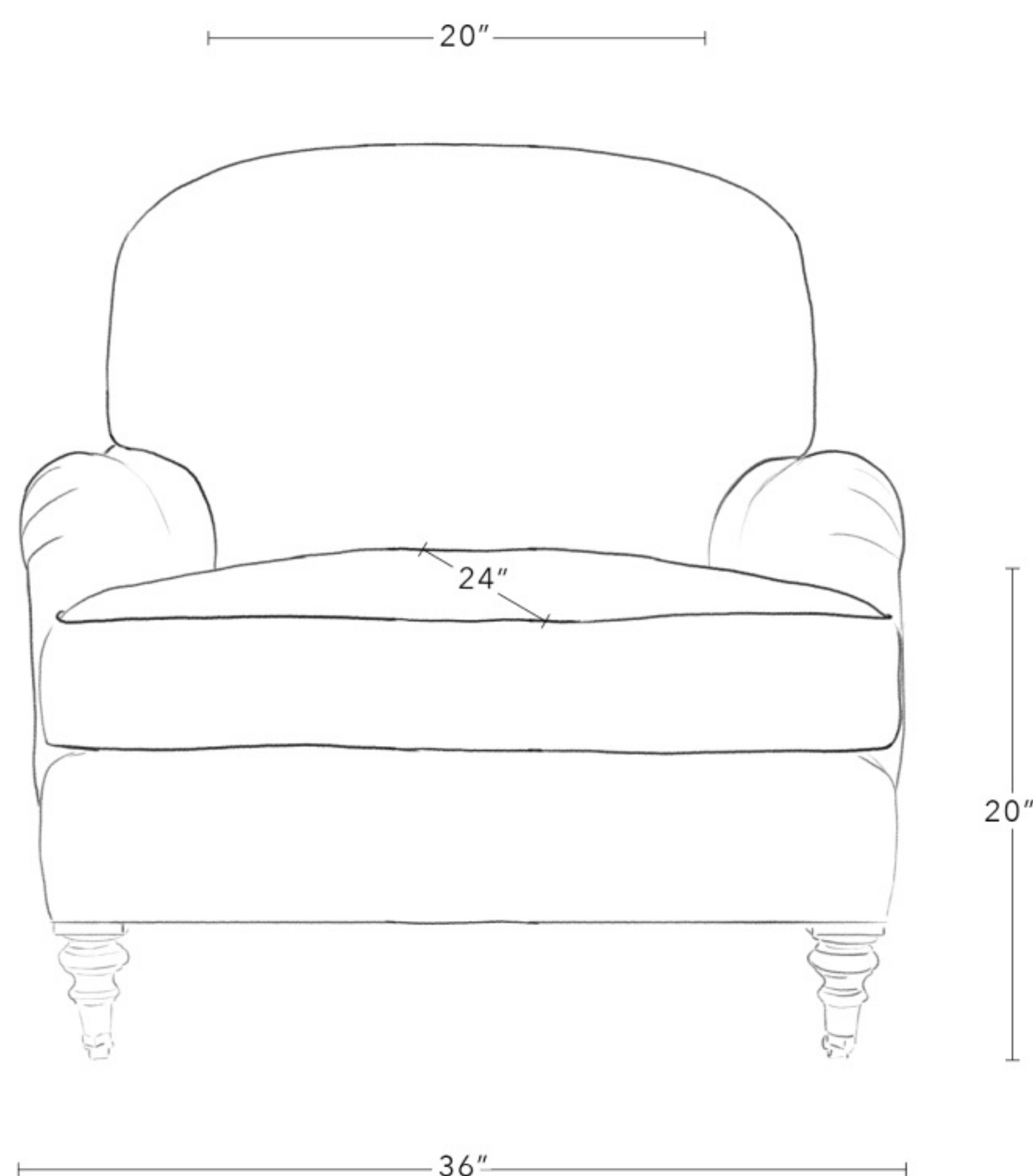
Large Chair: 2 yds contrast welt

Large Ottoman: 1 yd contrast welt

Materials White Oak, 18/18 Foam

Standard Finishes

Bleached Oak, Natural Oak, Saddle, Smoked, Dark Oak, Ebony



NICKEY ✧ KEHOE

ENGLISH ROLL ARM OTTOMAN, SMALL

26" W x 22" D x 19" H



Shown in Pierre Frey Archival Print Emilie O and Dark Oak, Small

Light the fire, grab your favorite book (or device) and curl up in high style. The English Roll Arm Ottoman, a smart update on a classic, is designed for contemplative rainy days, good gossip and lively entertaining - even for a party of one. A matching chair is a graceful addition, inviting you to sit back, put your feet up and enjoy your own sanctuary.

Dimensions

26" W x 22" D x 19" H

Matching Chair

32" W x 41" D x 36" H

All Available Dimensions

Small: 26" W x 22" D x 19" H

Large: 30" W x 24" D x 17" H

COM (Customer's Own Material)

Small Ottoman: 4 yds plain, 4-5 yds print

Small Chair: 10 yds plain; 10-13 yds print

COT (Customer's Own Trim)

Ottoman: 8 yds pre-made piping

Chair: 16 yds pre-made piping

Contrast Welt

Small Ottoman: 1 yd contrast welt

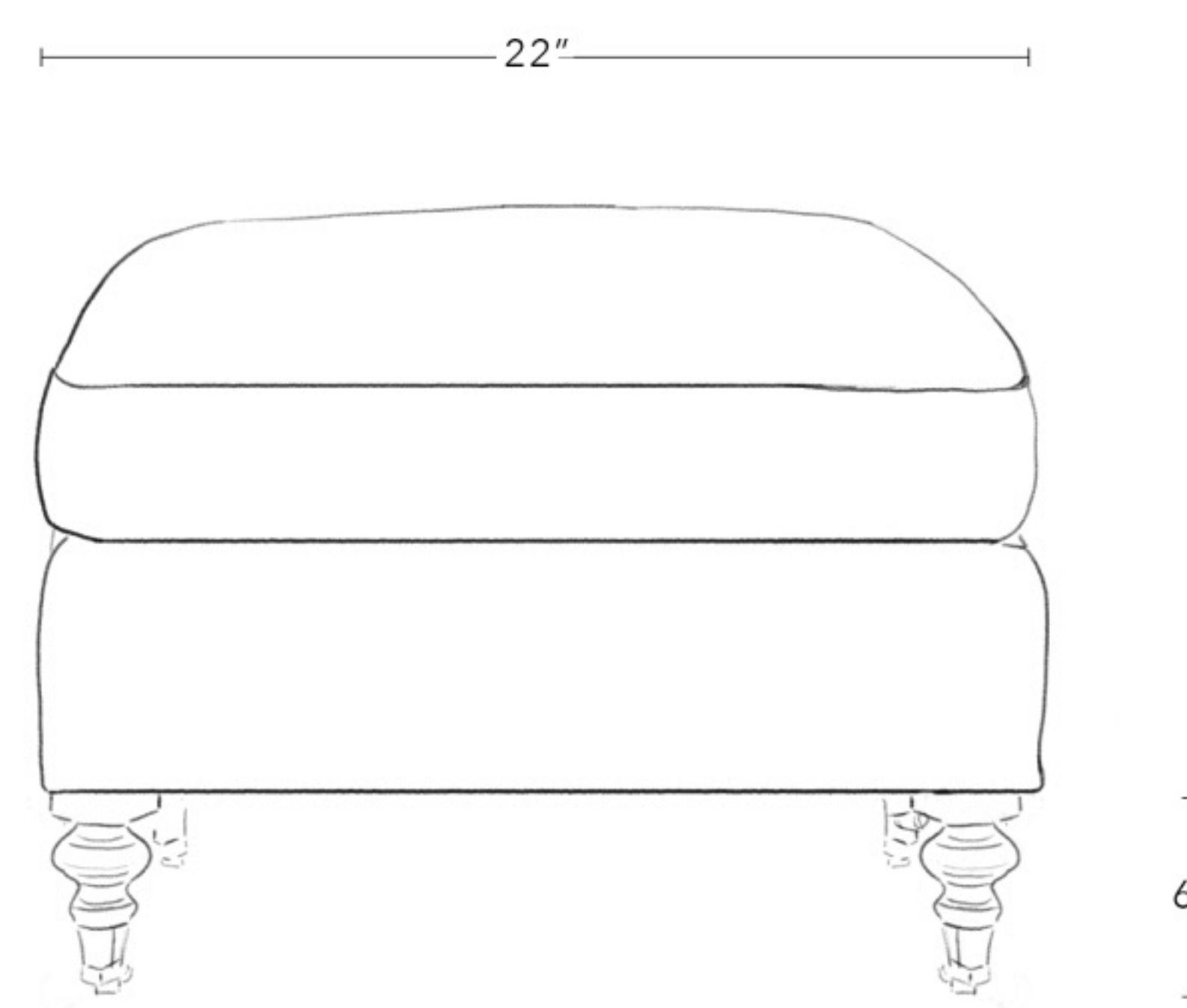
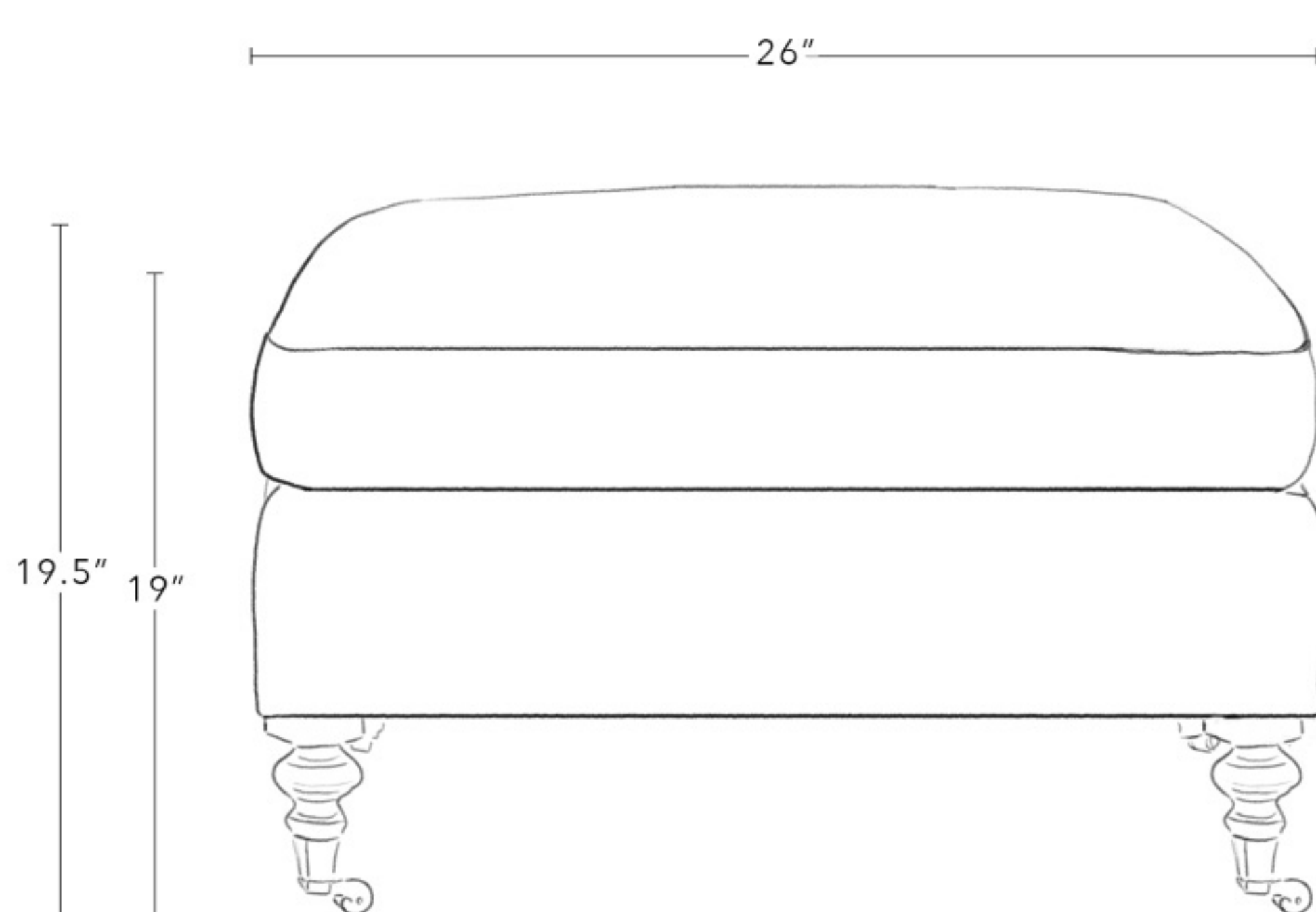
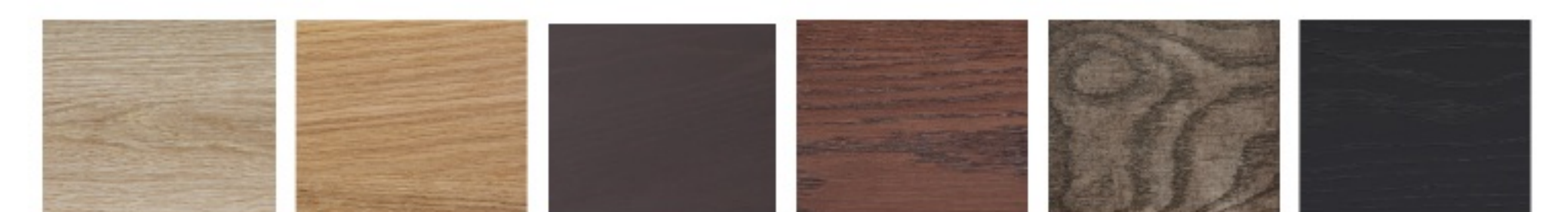
Small Chair: 2 yds contrast welt

Materials White Oak, 18/18 Foam

Standard Finishes

Bleached Oak, Natural Oak,

Saddle, Smoked, Dark Oak, Ebony



NICKEY * KEHOE

ENGLISH ROLL ARM OTTOMAN, LARGE

30" W x 24" D x 17" H



Shown in Pierre Frey Archival Print Emilie O and Dark Oak, Small

Light the fire, grab your favorite book (or device) and curl up in high style. The English Roll Arm Ottoman, a smart update on a classic, is designed for contemplative rainy days, good gossip and lively entertaining - even for a party of one. A matching chair is a graceful addition, inviting you to sit back, put your feet up and enjoy your own sanctuary.

Dimensions

30" W x 24" D x 17" H

Matching Chair

36" W x 43" D x 37" H

All Available Dimensions

Small: 26" W x 22" D x 19" H

Large: 30" W x 24" D x 17" H

COM (Customer's Own Material)

Large Ottoman: 4 yds plain, 4-6 yds print

Large Chair: 11 yds plain; 11-13 yds print

COT (Customer's Own Trim)

Ottoman: 8 yds pre-made piping

Chair: 16 yds pre-made piping

Contrast Welt

Large Ottoman: 1 yd contrast welt

Large Chair: 2 yds contrast welt

Materials White Oak, 18/18 Foam

Standard Finishes

Bleached Oak, Natural Oak, Saddle, Smoked, Dark Oak, Ebony

