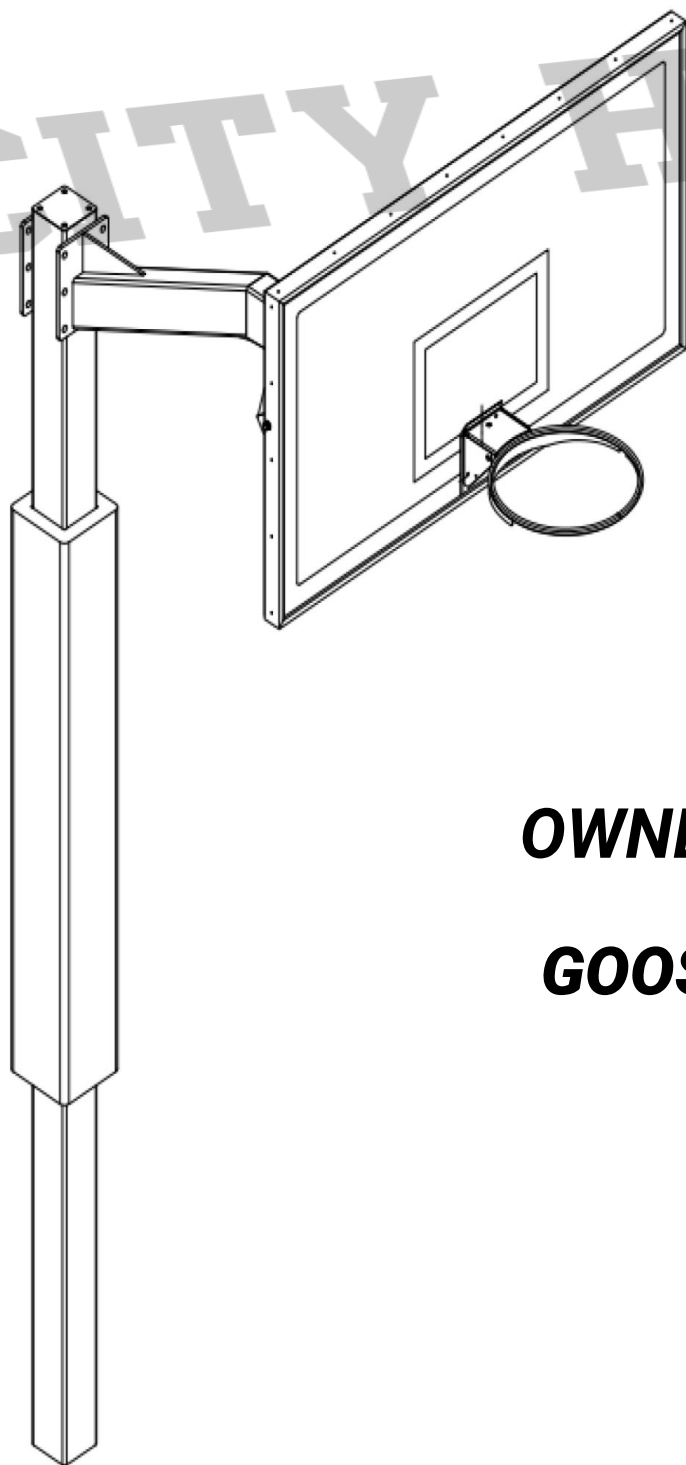


CITY HOOPS



INSTALLATION AND OWNER'S INSTRUCTIONS

GOOSENECK+ / CHGOOSE

SAFETY INSTRUCTIONS

WARNING

FAILURE TO COMPLY WITH ANY OF THE WARNINGS IN THESE INSTRUCTIONS MAY RESULT IN PERSONAL INJURY

FAILURE TO COMPLY MAY ALSO RESULT IN PROPERTY DAMAGE. PLEASE HEED ALL WARNINGS AND CAUTIONS TO ENSURE YOUR SAFETY

DO NOT ATTEMPT TO ASSEMBLE THIS SYSTEM WITHOUT CAREFULLY READING AND FOLLOWING ALL INSTRUCTIONS. BEGIN BY IDENTIFYING AND TAKING INVENTORY OF ALL PARTS USING THE PARTS LIST PROVIDED.

A MINIMUM OF 3 ADULTS & USE OF SCISSOR LIFT (or) GENIE LIFT (or) SCAFFOLDING IS REQUIRED TO LIFT UNIT INTO PLACE

BEFORE YOU START

- A. Identify and inventory all parts using the checklist boxes in the parts list. Be sure to keep the hardware bags and their contents separate.

If any parts are missing call our Customer Service Department 1(866)-611-8552.

- B. Test fit all bolts by inserting them into the respective hole. If necessary, carefully scrape away any excess powder coating buildup from inside the holes. Do not scrape away all of the powder coating. Bare metal may rust.



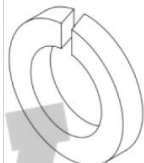

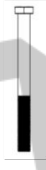


SAFETY INSTRUCTIONS

FAILURE TO FOLLOW THESE SAFETY INSTRUCTIONS MAY RESULT IN SERIOUS INJURY OR PROPERTY DAMAGE AND WILL VOID THE WARRANTY. The owner must ensure that all players know and follow these rules to safely operate the system. Proper and complete assembly, use and supervision is essential for proper operation and to reduce the risk of accident or injury. A high probability of serious injury exists if this system is not installed, maintained, or operated properly.



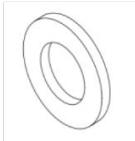




- If using a ladder during assembly, use extreme caution. Follow all warnings and cautions on the ladder carefully.
- Before digging, contact the appropriate agency to locate underground power cables, gas, and water lines. Do not install the system within 20 feet of overhead power lines.
- Climate, corrosion, or misuse could result in system failure.
- If technical assistance is required, contact the manufacturer.

Most injuries are caused by misuse and /or failure to follow instructions. Use caution when using the system.

HARDWARE LIST

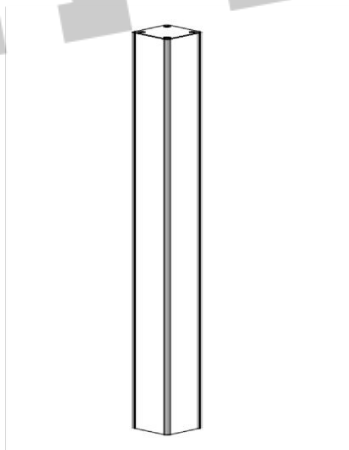
Hex Bolt M18*210MM	Flat Washer φ 18MM	Spring Washer φ 18MM	Hex Nut M18	Hex Bolt M12*150MM	Flat Washer φ 12MM	Spring Washer φ 12MM
						
x6	x12	x6	x6	x1	x6	x3
#1	#2	#3	#4	#5	#6	#7

HARDWARE LIST

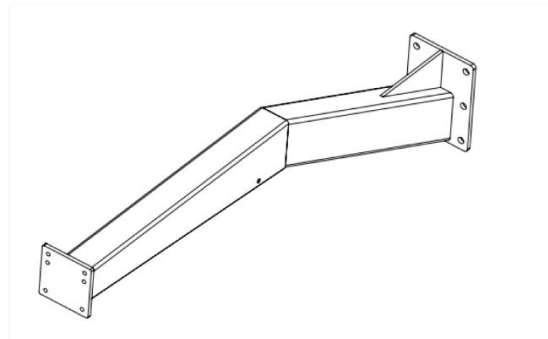
Hex Nut M12	Hex Bolt M10*50MM	Flat Washer φ 10MM	Spring Washer φ 10MM	Hex Nut M10	Hex Bolt M12*60MM	Carriage Bolt M10*110MM
						
x3	x2	x8	x6	x6	x2	x4
#8	#9	#10	#11	#12	#13	#14

PARTS LIST		
ITEM	QTY	DESCRIPTION
A	1	6"x6" Main Pole
B	1	Lower Extension Arm
C	1	72"x42" Polycarbonate Backboard
D	2	Upper Extension Arm
E	1	Rim
F	1	Rear Extension Arm Plate
G	1	Pole Padding

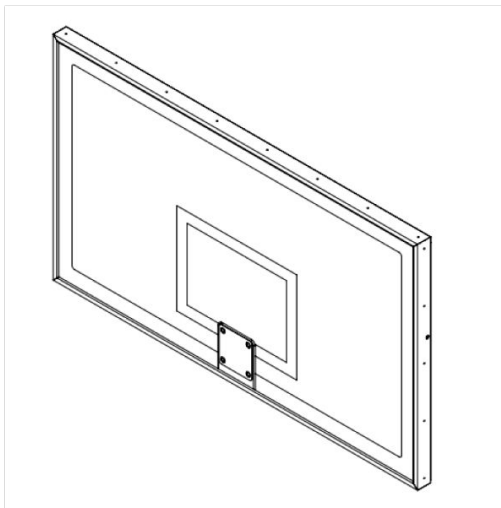
A. 6"x6" Main Pole



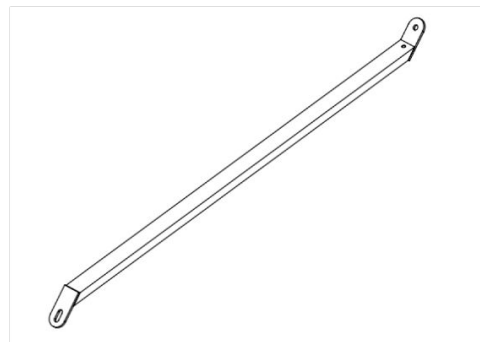
B. Lower Extension Arm



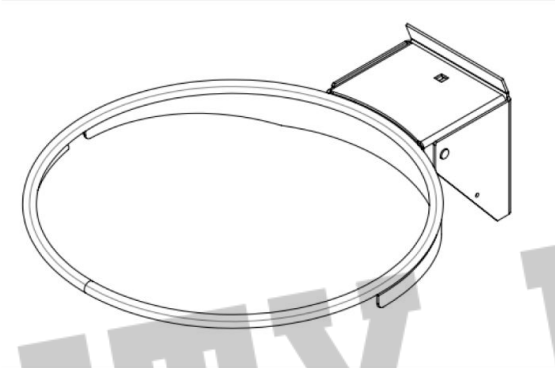
C. 72"x42" Polycarbonate Backboard



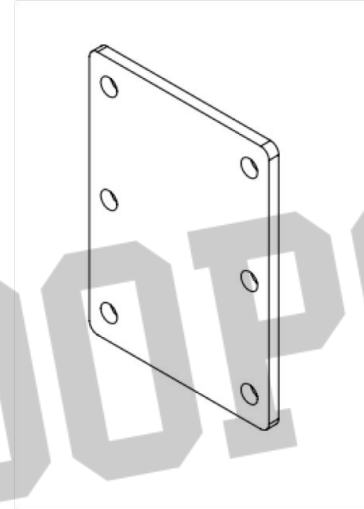
D. Upper Extension Arm



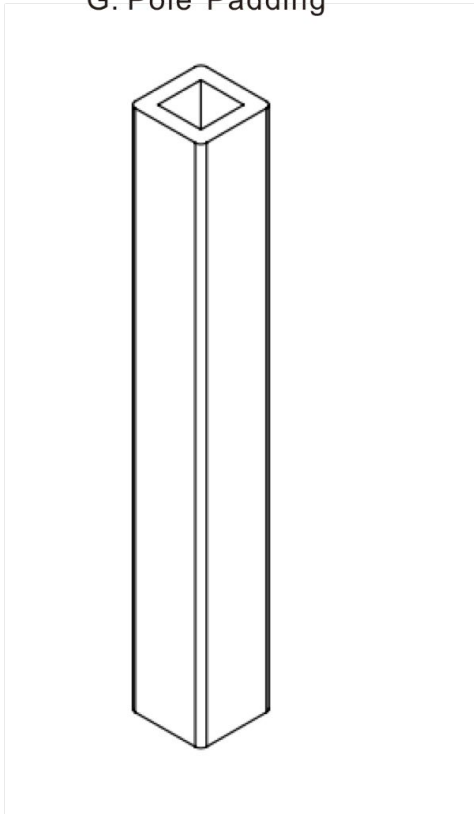
E. Rim



F. Rear Extension Arm Plate



G. Pole Padding



Tools & Materials Required For Complete Installation

1. Scissor Lift (or) Genie Lift (or) Scaffolding
2. Ladder
3. Post Hole Digger / Earth Auger
4. Shovel
5. Wheelbarrow
6. Concrete (14-16 Bags (30kg / 66lb each)
7. Water Supply
8. Trowel
9. Spirit / Bubble / Carpenter Level
10. Tape Measure
11. Box Cutter
12. (2) Large Crescent Wrenches
13. Pencil
14. Socket / Wrench Set

DIRECT BURY MAIN POST + FOOTING

STAGE 1 OF 2

WARNING

BEFORE DIGGING THE FOOTING HOLE, CHECK FOR BURIED POWER, GAS, WATER, AND TELECOMMUNICATION LINES! FAILURE TO DO SO COULD RESULT IN SERIOUS OR FATAL INJURY! CONTACT YOUR LOCAL UTILITY COMPANY IF UNSURE.

STEP 1 (Installation Location)

Choose the proper location to dig for the concrete footing. Use the distance charge below to help you designate a location. When choosing the exact location to dig, make sure to maximize the amount of playing surface while minimizing obstruction.



STEP 2 (Digging The Footing)

Before digging, call to locate any buried utility lines.

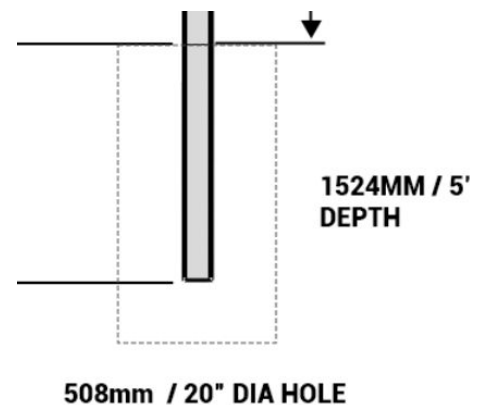
- Dig a hole at least 60" minimum depth and 20"x 20"square: The edge of hole should be flush with the edge of the playing surface. If you live in an area where heavy frost can occur, it may pose a problem, consult your local building inspector to determine appropriate hole depth.

NOTE: Hole depth must be a minimum of 60".

- Build a form before pouring the concrete pad, to ensure that the top of the concrete remains straight and square. The form should be placed about 1/2" above the playing surface to allow for water drainage.

- Bell out the bottom of the hole.

NOTE: A square hole prevents the rotation of the concrete.



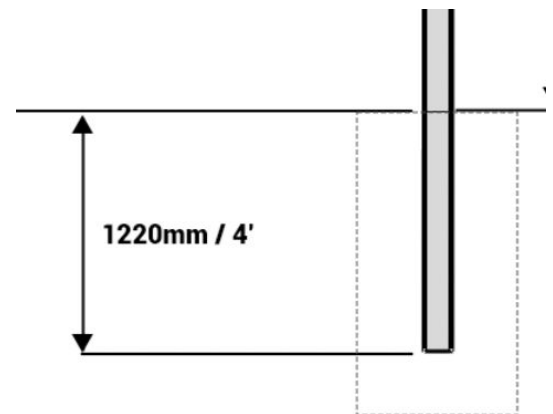
STEP 3 (Mixing concrete & setting main post)

Before mixing concrete / setting post, it is best to create a brace to hold main post vertical when setting while it cures.

- A. Mix concrete according to the instructions on the bag. Note that a thicker mix of concrete will dry stronger than a thin mix. Pour the concrete into the hole stopping just short from top.
- B. Insert Main Vertical Post "A" into the hole of the wet concrete. There is a horizontal line on "A" which will be set at playing / ground level.

Note: There is a marking line at the top of the Main Vertical Post "A". This marking line will face towards the playing area.

- C. Fix Main Vertical Post "A" to pre-assembled brace or frame to ensure the post is straight / vertically plumb while concrete cures. This will avoid tilting. Ensure the post is vertically straight using a level.
- D. Smooth out and discard any excess concrete with a trowel.



YOU ARE NOW FINISHED WITH THE INITIAL ASSEMBLY STEPS. DO NOT PROCEED WITH THE REMAINING ASSEMBLY UNTIL THE CONCRETE HAS FULLY CURED. CURING WILL TAKE A MINIMUM OF 5-7 DAYS. IN HUMID CLIMATES OR WET WEATHER, ALLOW ADDITIONAL TIME FOR THE CONCRETE TO CURE.

ASSEMBLY OF YOUR CITY HOOPS BASKETBALL SYSTEM

STAGE 2 OF 2

WARNING

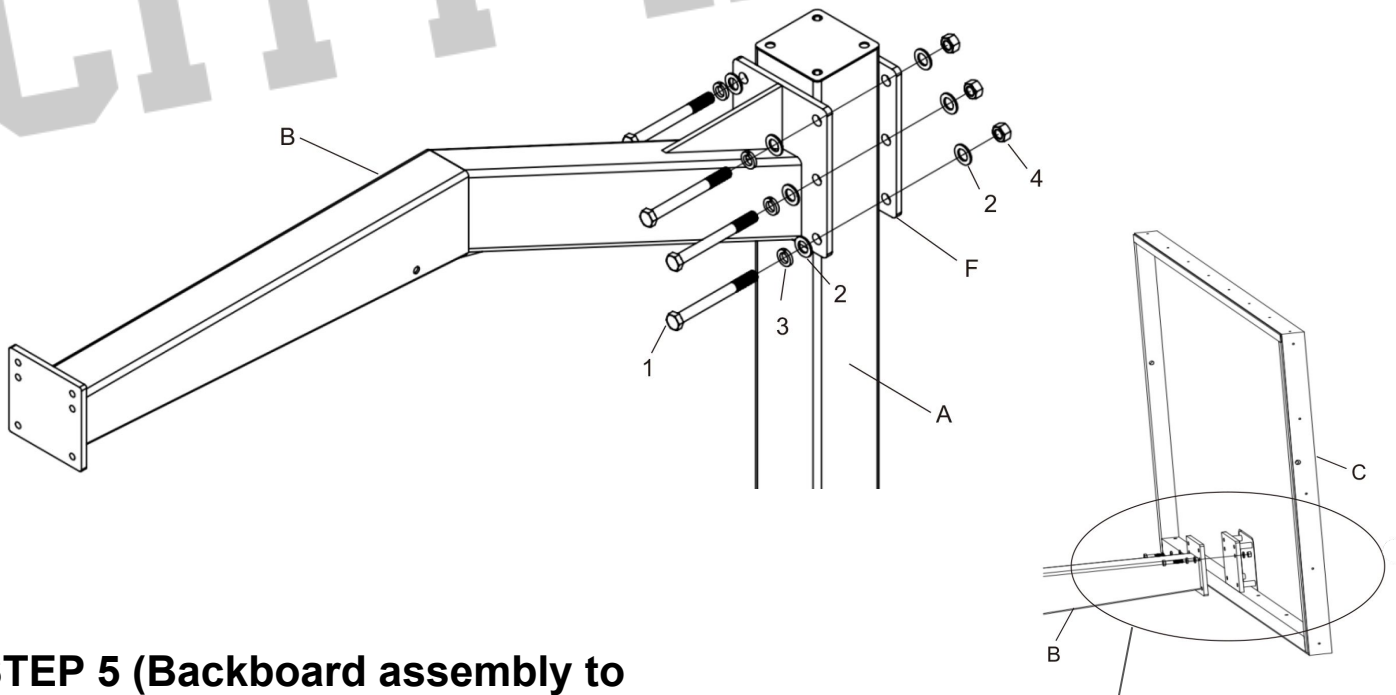
NEVER USE THE SYSTEM WITHOUT FOLLOWING THE CEMENTING & CONCRETE INSTRUCTIONS. FAILURE TO FOLLOW ALL THESE INSTRUCTIONS AND WARNINGS COULD LEAD TO SERIOUS PERSONAL INJURY OR PROPERTY DAMAGE AS LISTED ON PAGE 2.

CAUTION

MINIMUM OF 3 ADULTS & USE OF SCISSOR LIFT (or) GENIE LIFT (or) SCAFFOLDING IS REQUIRED TO LIFT UNIT INTO PLACE

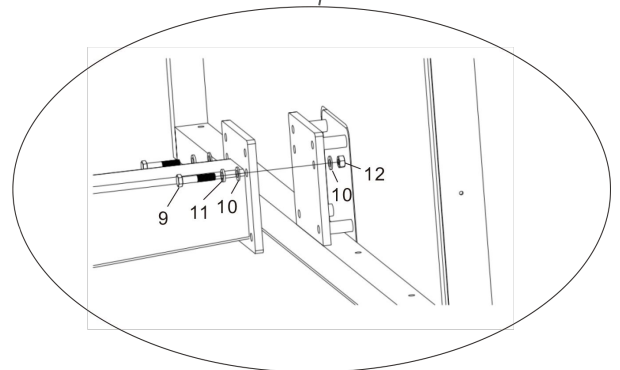
STEP 4 (Lower Extension Arm Installation)

- A. Attach "B" and "F" on the front and back of the Vertical Post "A" using the hardware assembly (6x).
 #1 (Hex Bolt) → #3 (Spring Washer) → #2 (Flat Washer) → "B" (Lower Extension Arm) → "F" (Rear extension arm plate) → #2 (Flat Washer) → and #4 (Hex Nut) on the end.
- B. The top of "B" Lower extension arm & "F" (Rear extension arm plate) shall overlap the Vertical Post marking line.



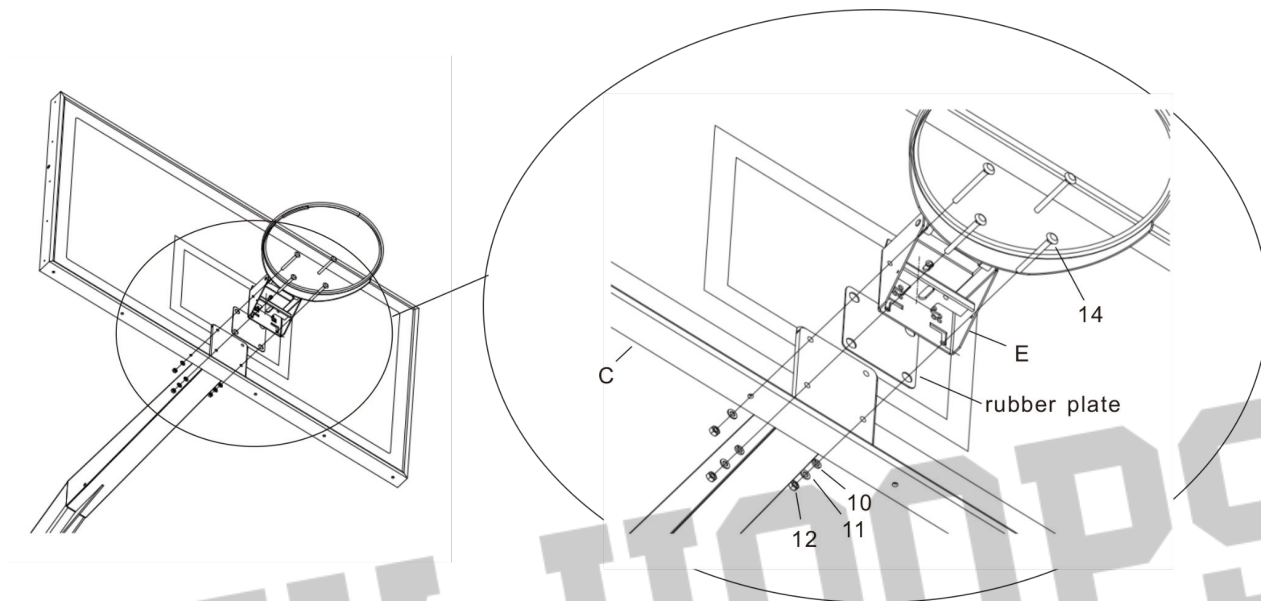
STEP 5 (Backboard assembly to extension arm)

- A. Align the middle holes of the backboard "C" with the middle holes of lower extension arm "B".
- B. Insert 2 pieces of #9 (hex bolt) → #11 (spring washer) → #10 (flat washer) → and #12 (hex nut) on the front of backboard "C".



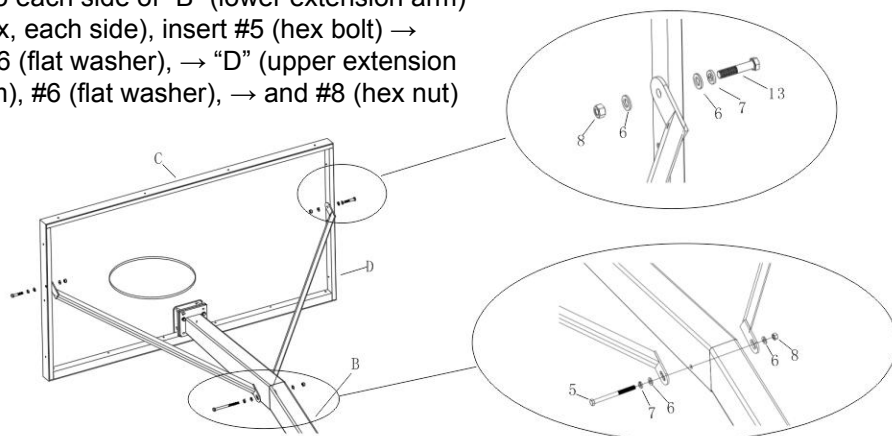
STEP 6 (Rim assembly)

- A. Align the 4 holes on the "E" (rim) with the 4 holes on the rubber pate with 4 holes on "C" (backboard).
- B. Using the hardware assembly (4x), insert #14 (carriage bolt) → "E" (rim), → rubber plate, → "C" (backboard", → #10 (flat washer), → #11 (spring washer), → and #12 (hex nut) on the end.



STEP 7 (Upper extension arms assembly)

- A. Attach both "D" (upper extension arms) to the inside of "C" (backboard).
 - a. Using the hardware assembly (2x, each side), insert #13 (hex bolt) → through #7 (spring washer), → #6 (flat washer), → "D" (upper extension arm), → "C" backboard, #6 (flat washer), → and #8 (hex nut)
- B. Attach both "D" (upper extension arms) to each side of "B" (lower extension arm)
 - a. Using the hardware assembly (2x, each side), insert #5 (hex bolt) → through #7 (spring washer), → #6 (flat washer), → "D" (upper extension arm), → "B" (lower extension arm), #6 (flat washer), → and #8 (hex nut)



STEP 8 (Protective Padding Assembly)

- A. Attach gusset base padding if removed during installation. Attach using the velcro on the back of the gusset padding to secure it to the base of the system.
- B. Attach pole padding if removed during installation. Attach using the velcro on the back of the pole padding to secure it to the main pole of the system.
- C. If protective backboard padding was purchased separately, you will attach that at this point. Please follow the directions included with backboard padding.

STEP 9 (Maintenance)

Like any piece of hardware, proper maintenance is required. Several factors such as environment, organic materials, herbicides, pesticides, excessive use of misuse can eventually cause the basketball system to require maintenance. Failure to do so could result in system failure, property damage, or even personal injury.

- A. All organic materials should be kept away at all times. This will alleviate any chance of rust penetrating the powder coated finish and causing damage.
- B. If you see any signs of rust on the system, remove the loose paint, sand the area with a medium grit sandpaper, and apply outdoor enamel to the area.

Suggested Touch Up Paint: Rustoleum Semi-Gloss Black Enamel

- C. To clean backboard, use a 100% cotton soft cloth with mild dishwashing liquid soap and lukewarm water. Rinse backboard with lukewarm water. Wash gently. Do not scrub. Rinse backboard with lukewarm water again. Dry with 100% cotton soft cloth to avoid scratches and minor abrasions to your backboard.