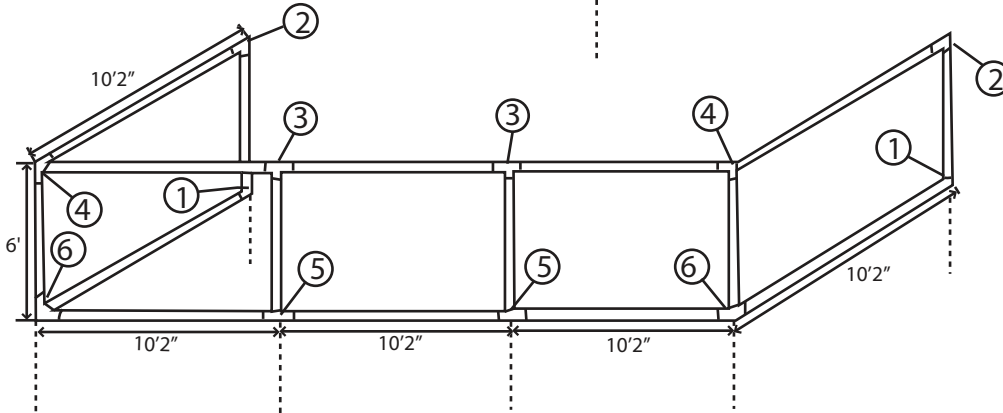
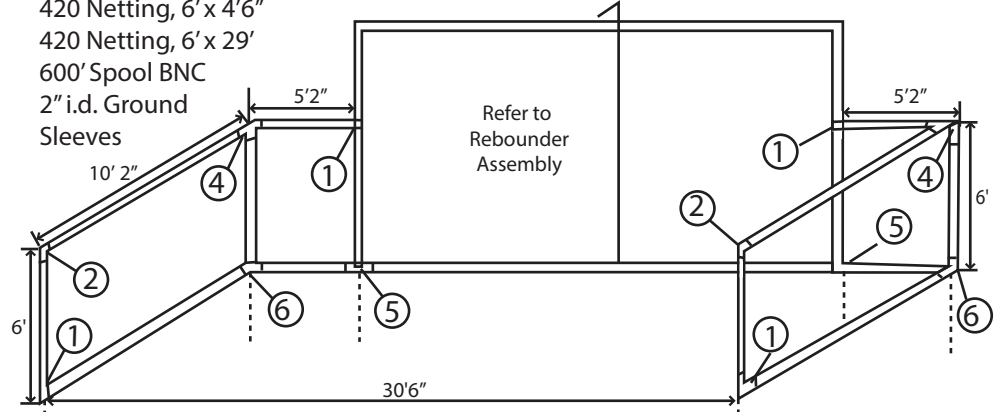


PARTS LIST

Reference	Qty	Description	Qty	Description
A	(18)	61-1/4" tubes	(4)	420 Netting, 6' x 9'7"
B	(24)	61-1/4" tube with swag	(2)	420 Netting, 6' x 4'6"
C	(10)	31-1/4" tubes	(1)	420 Netting, 6' x 29'
1	(4)	10-8 Kee Klamp	(1)	600' Spool BNC
2	(4)	15-8 Kee Klamp	(10)	2" i.d. Ground Sleeves
3	(4)	25-8 Kee Klamp		
4	(4)	20-8 Kee Klamp		
5	(4)	26-8 Kee Klamp		
6	(4)	21-8 Kee Klamp		



Note: Measurements are center of sleeve to center of sleeve
 * For 10' lengths use Posts A & B together and cut to length
 * For 7'6" lengths use B & D
 * For 5' use A

