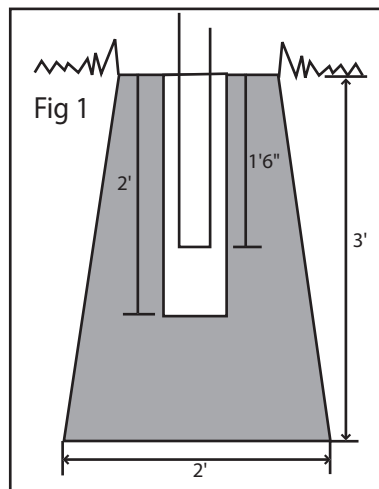
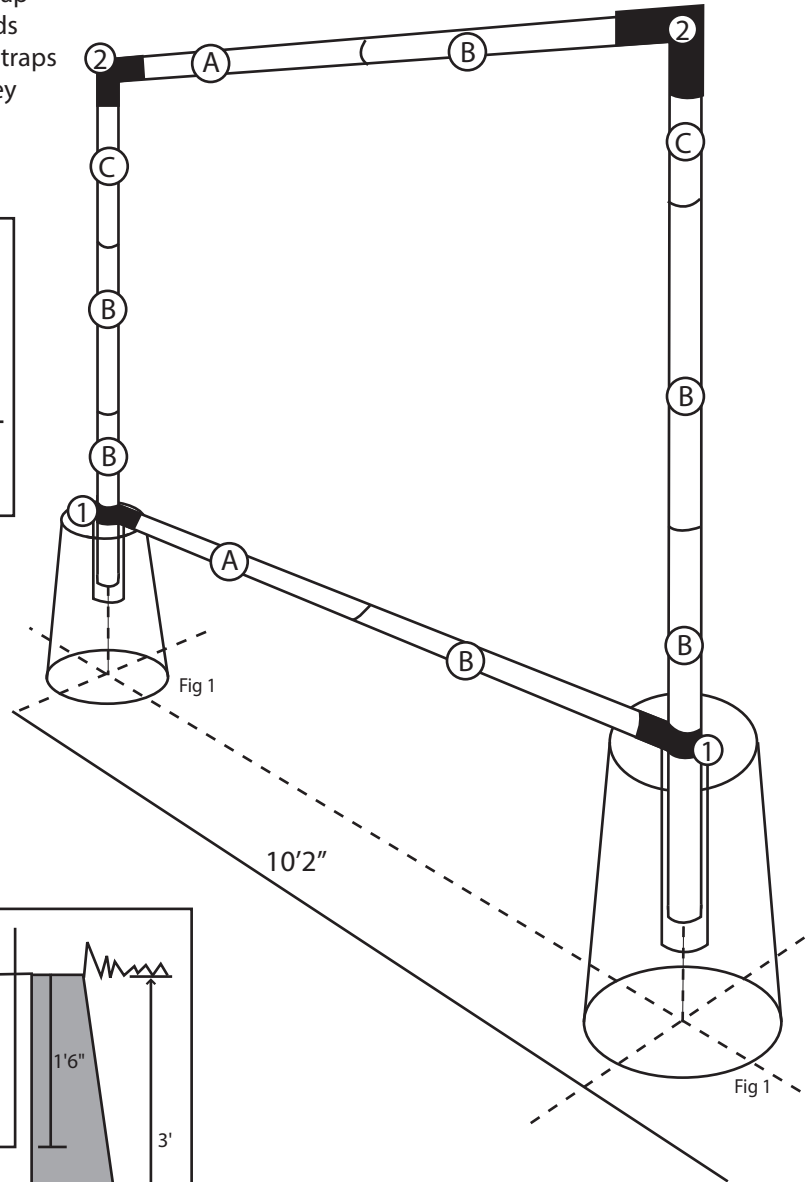
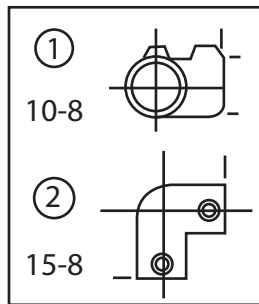
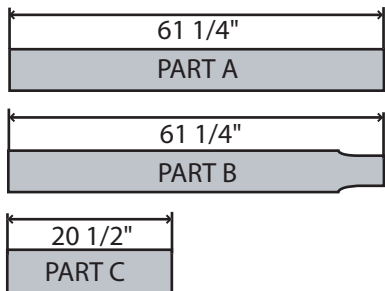


PARTS LIST

Reference	Qty	Description	Qty	Description
A	(2)	61-1/4" Tube	(1)	Vinyl Skirt
B	(6)	61-1/4" Tube with swag	(6)	Release Ty-raps
C	(2)	20-1/2" Tube	(1)	Webbing Strap
1	(2)	10-8 Kee Klamp	(20)	Bungee Cords
2	(2)	15-8 Kee Klamp	(10)	Adjustable Straps
	(2)	2" i.d. PVC sleeves	(1)	Set Screw Key
	(1)	Rebound Net		



1. Sink PVC sleeves to a depth of 2' in concrete at least 3' deep, as shown on the illustration.
2. Assemble bottom bar over the holes as a guide. Lift off, lay down and finish assembly of frame on the ground. Use a set screw key to secure poles in fittings. Be sure the whole frame is assembled before installing the netting.
3. To install netting, hook and fasten bungee cords evenly along sides and top of frame. Evenly space and tighten down the (10) adjustable straps along the bottom of the netting.
4. Attach vinyl skirt at bottom using ty-raps. Thread white webbing into netting at desired height to simulate net height.