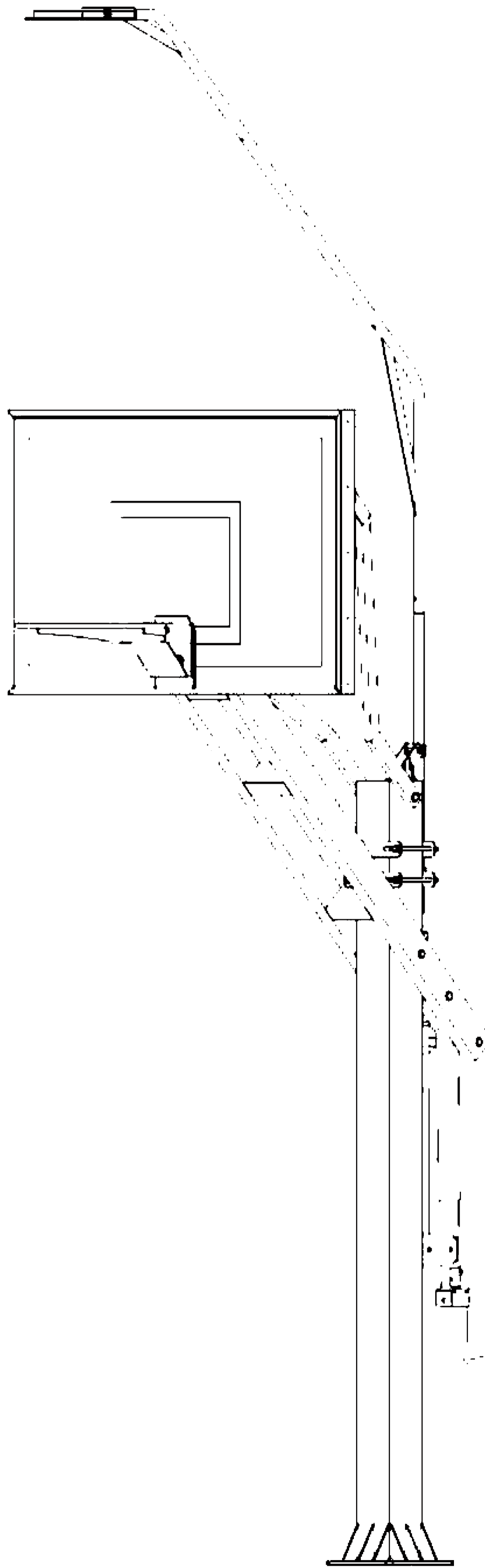


# CITY HOOPS

## Pole Mounted LED Light Installation Instructions



# PART LIST

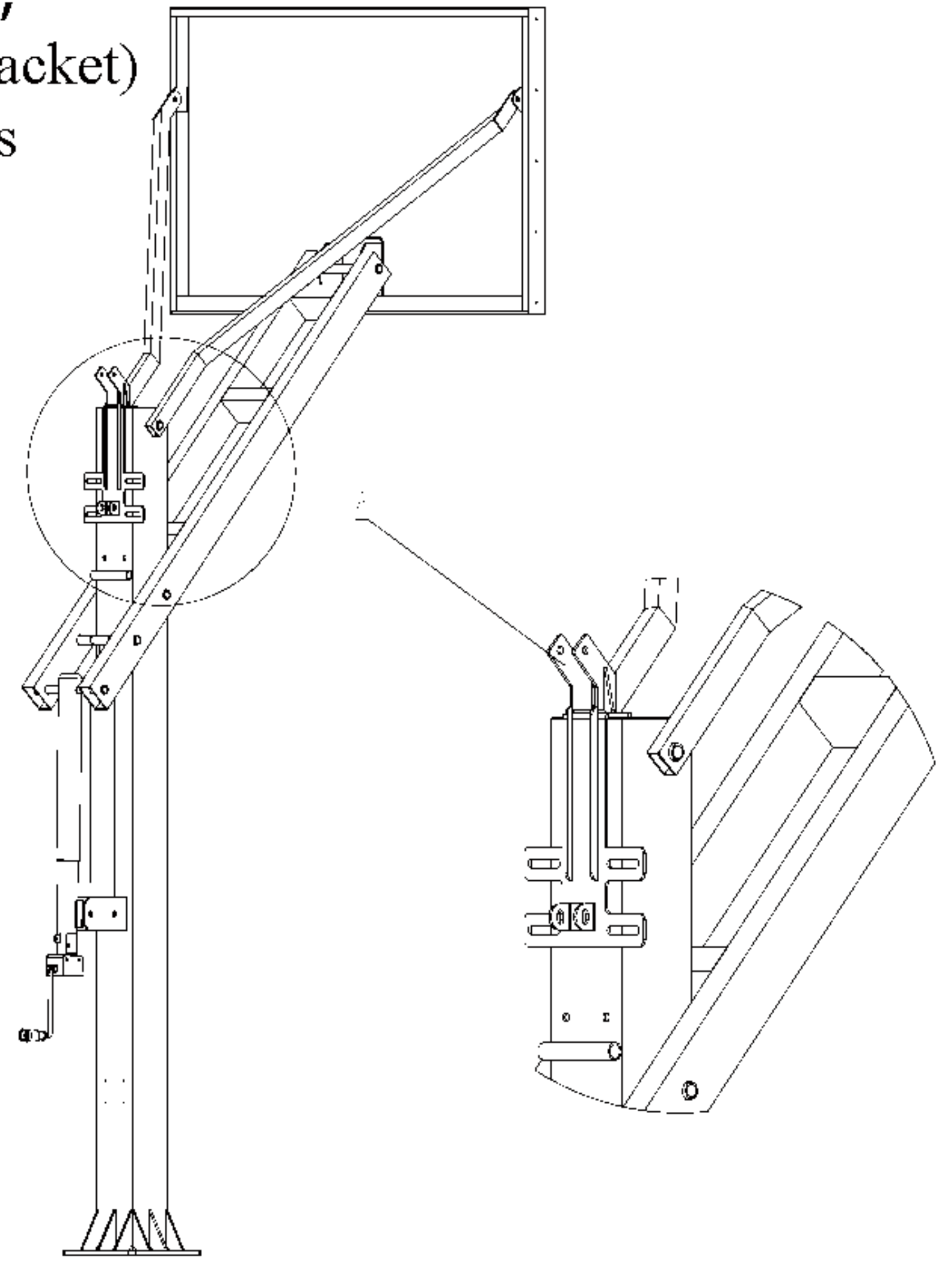
ITEM	QTY	DESC.
A	1	Base bracket
B	2	Base fixing plate 2
C	1	Inclined tube 1
D	1	Inclined tube 2
E	1	Inclined tube 3
F	1	LED light holder
G	1	LED light
1	4	Hex Bolt M12*185/M12*335
2	8	Flat washer $\phi$ 12
3	4	Spring washer M12
4	4	Hex Nut M12
5	2	Hex Bolt M6*20
6	4	Flat washer $\phi$ 6
7	2	Spring washer M6
8	2	Hex Nut M6
9	2	Hex Bolt M10*80
10	4	Flat washer $\phi$ 10
11	2	Spring washer M10
12	2	Nylon washer M10
13	2	Hex Nut M10
14	4	L25 casing
15	4	L100 casing

## STEP 1

Place A (base bracket) on the back of the pole,  
The fixed position on both sides of A (base bracket)  
should avoid the upper and lower supports. As  
shown in the figure.

### **Note:**

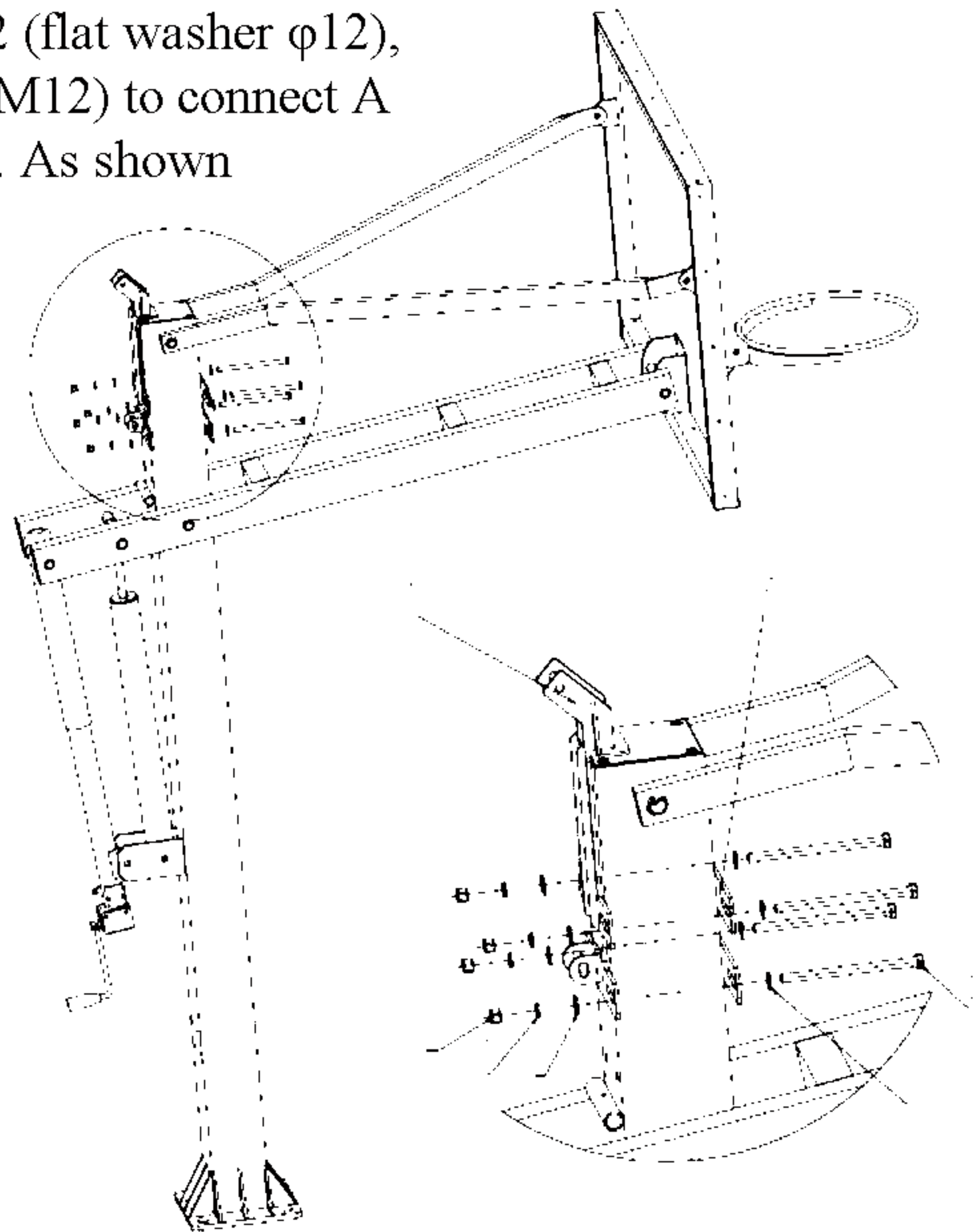
*The two installation  
situations shown on  
the right are normal  
phenomena and can  
be used normally.*



## STEP 2

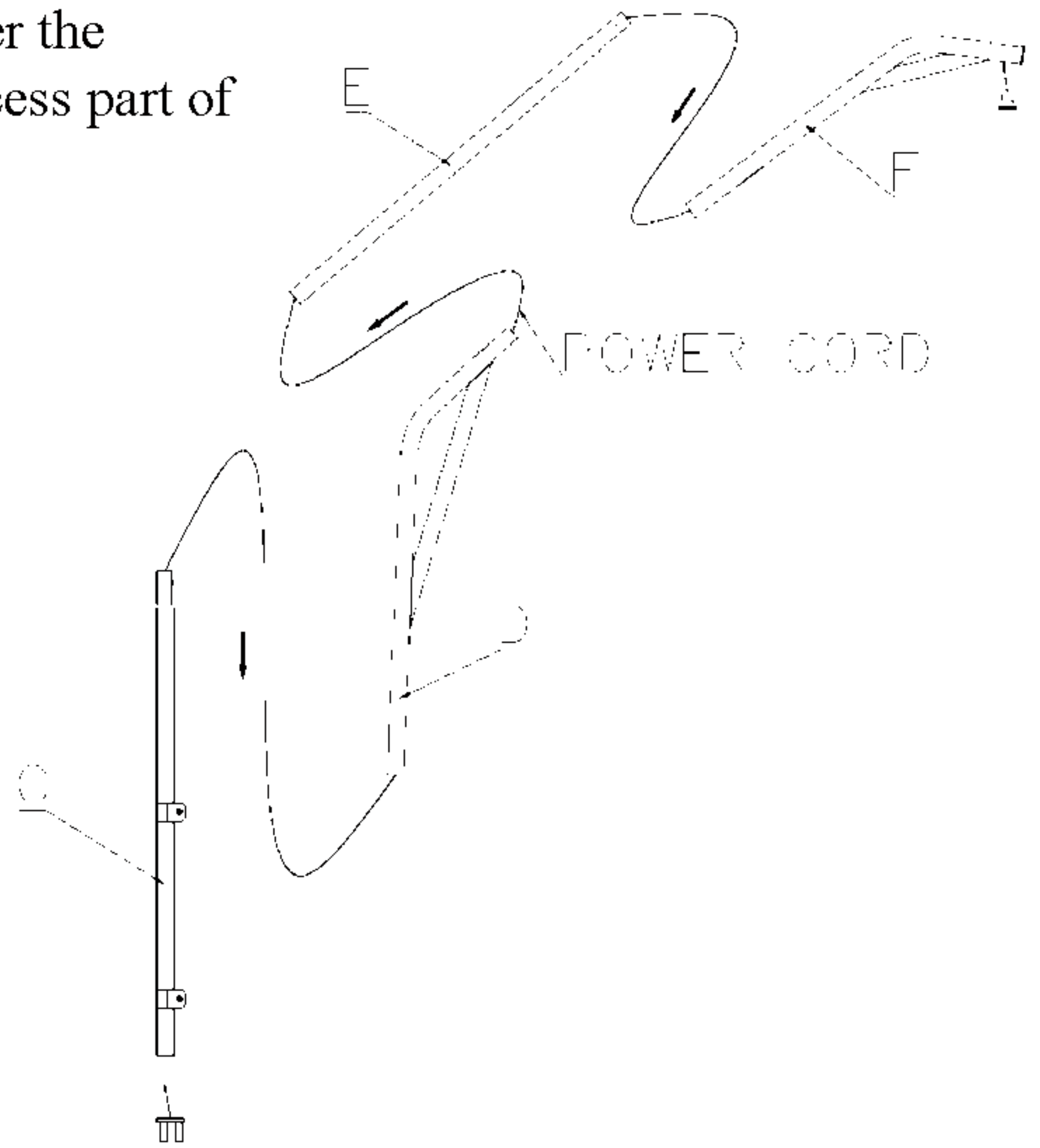
Use #1 (hex bolt M12\*185/M12\*335), #2 (flat washer  $\phi 12$ ),  
#3 (spring washer M12) and #4 (hex nut M12) to connect A  
(base bracket) and B (base fixing plate 2). As shown  
in the figure.

*Note: The bolts are installed as  
close to the pole as possible and  
locked; please install with different  
sockets (#13 or #14) for different  
pole specifications.*



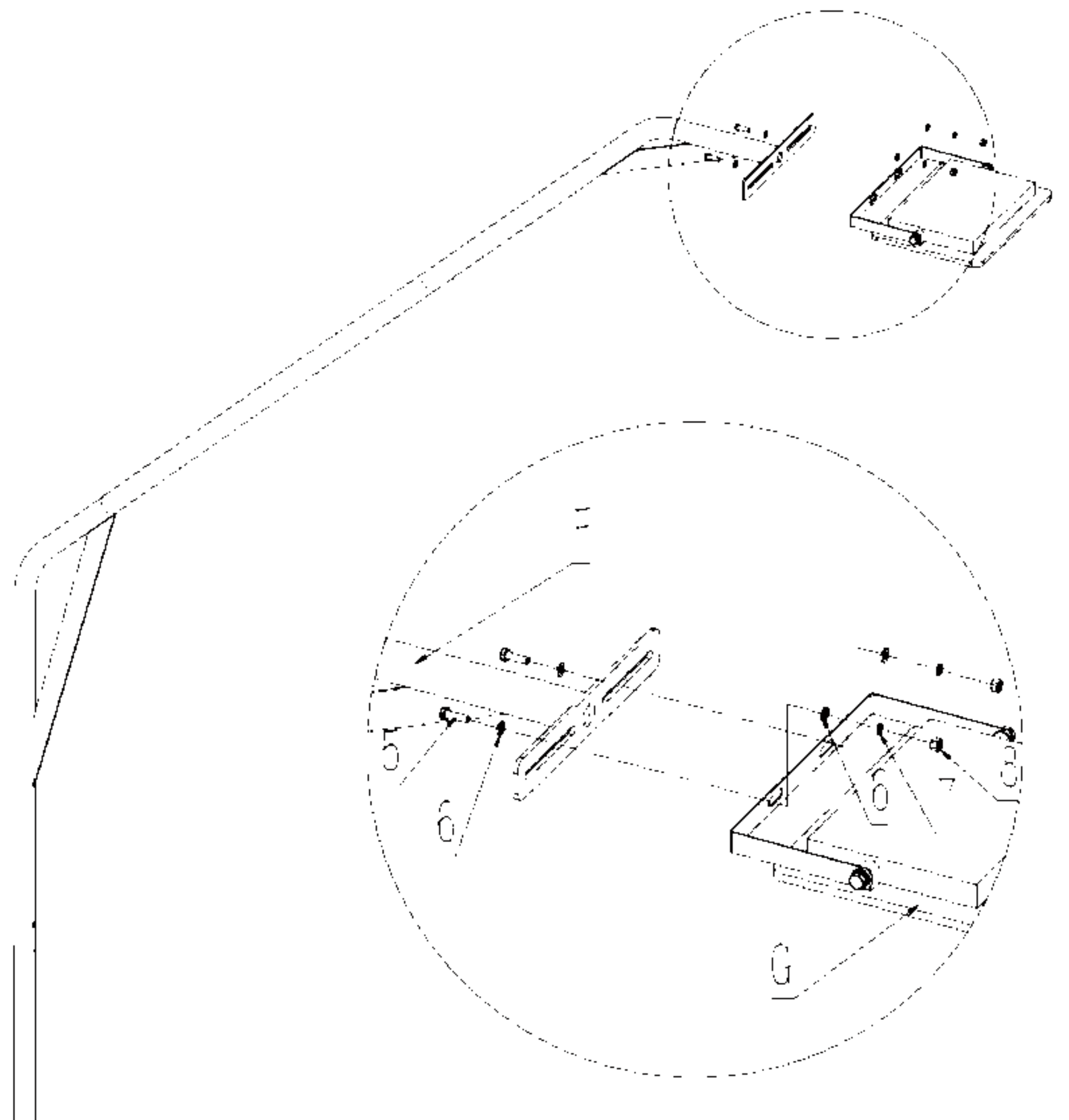
### STEP 3

As shown in the direction of the arrow in the figure, connect C, D, E, and F in sequence. After the connection is completed, pull out the excess part of the power cord from the C tube.



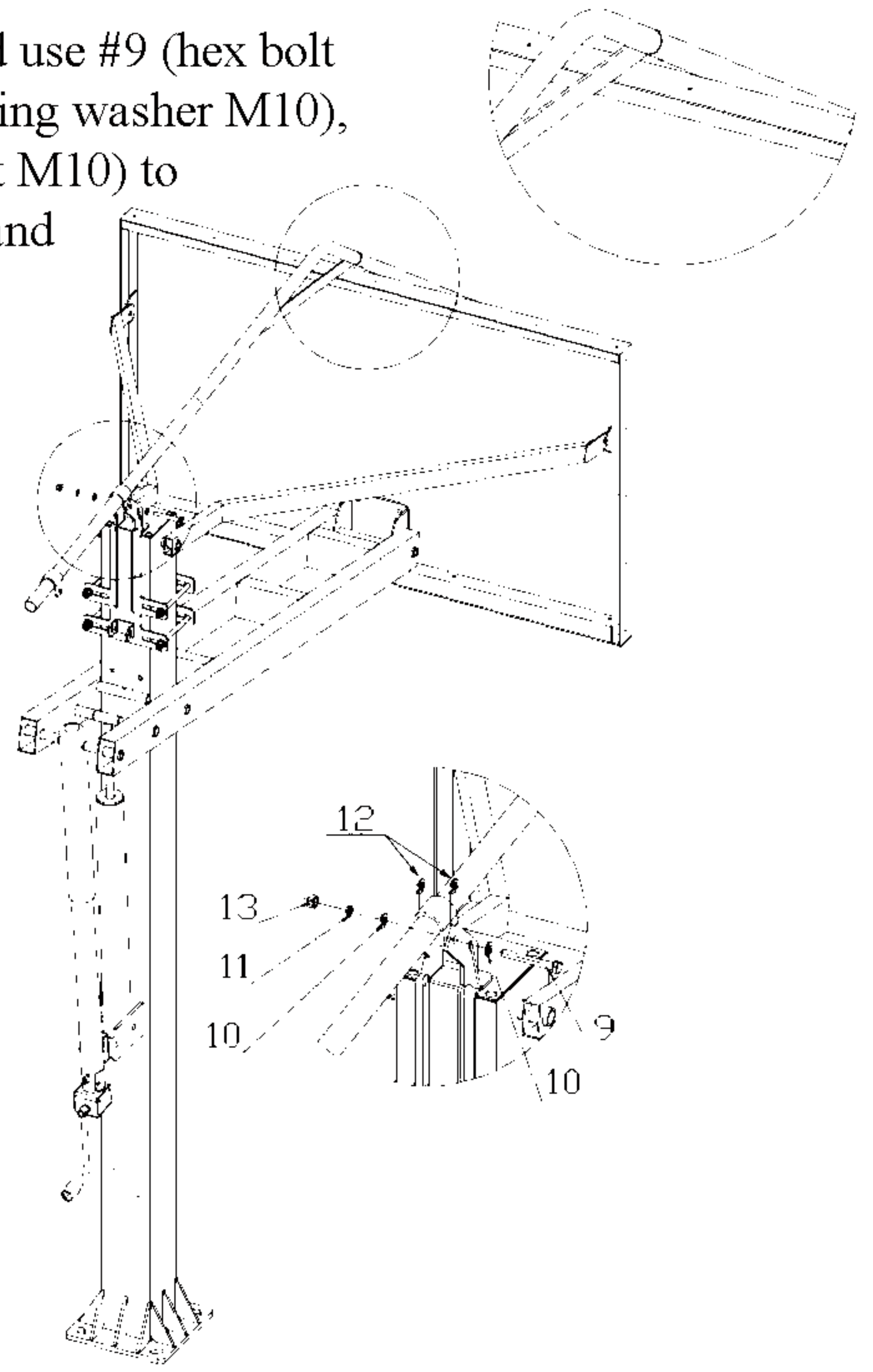
### STEP 4

Use #5 (hex bolt M6\*20), #6 (flat washer  $\phi 6$ ), #7 (spring washer M6) and #8 (hex nut M6) to connect F (light holder) and G (LED light). As shown in the figure.



## STEP 5

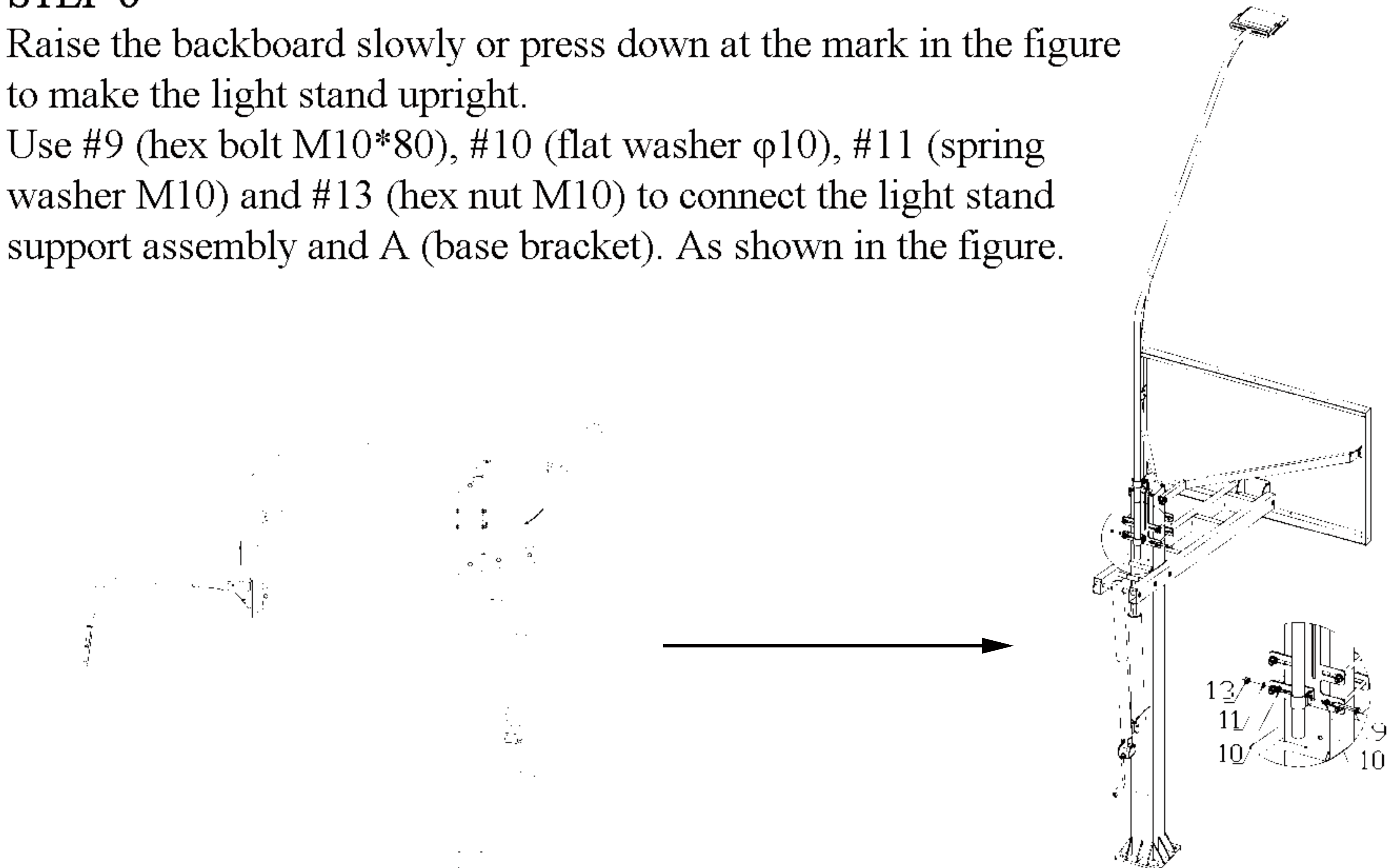
Hang the LED light on the backboard, and use #9 (hex bolt M10\*80), #10 (flat washer  $\phi 10$ ), #11 (spring washer M10), #12 (nylon washer M10) and #13 (hex nut M10) to connect the light stand support assembly and A (base bracket). As shown in the figure.



## STEP 6

Raise the backboard slowly or press down at the mark in the figure to make the light stand upright.

Use #9 (hex bolt M10\*80), #10 (flat washer  $\phi 10$ ), #11 (spring washer M10) and #13 (hex nut M10) to connect the light stand support assembly and A (base bracket). As shown in the figure.



STEP 7  
Finish.

