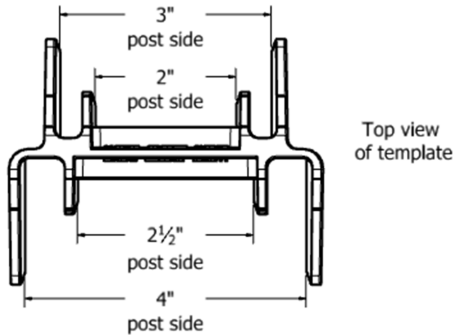


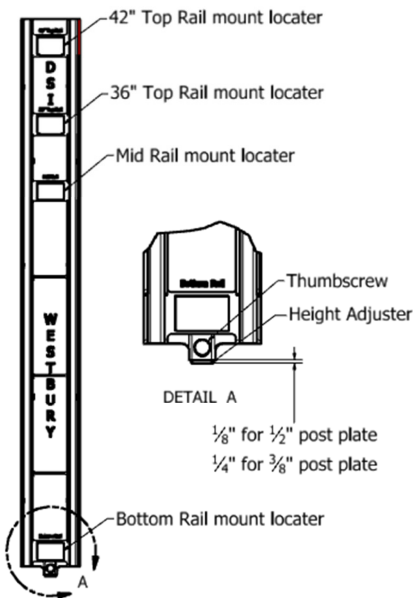
Westbury® Bracket Mounting Template Installation Instructions



Westbury® Bracket Mounting Template can be used on 2", 2½", 3" and 4" wide posts for standard Westbury® mount installations.



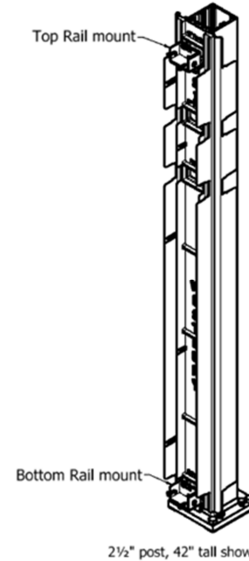
Template will locate top rail, mid rail and bottom rail mounts on post for 36" and 42" tall aluminum railing sections.



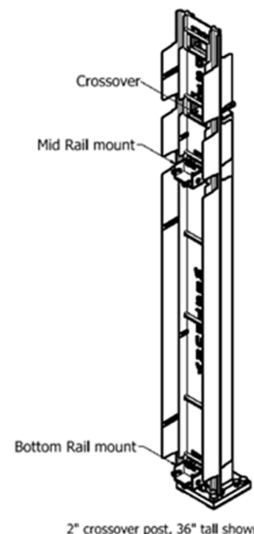
Height adjuster will allow template to be used on both 3/8" and 1/2" post plates to maintain 2" spacing between bottom rail and ground level.

1. **Installing Westbury® mounts on standard posts:**
 - a. Determine width of post.
 - b. Use thumbscrew to adjust height of template for 3/8" or 1/2" post plate.
 - c. Place template onto post using corresponding side of template to match post width. Bottom of template will sit on top of post plate.

- d. Place top and bottom rail mounts in template and mid rail mount if applicable.
- e. With mounts in position use screws (provided) to fasten mounts to post.



2. **Installing Westbury® mounts on crossover posts:**
 - a. Determine width of post.
 - b. Use thumbscrew to adjust height of template for 3/8" or 1/2" post plate.
 - c. Place template onto post using corresponding side of template to match post width. Bottom of template will sit on top of post plate.
 - d. Place bottom rail mount in template and mid rail mount if applicable.
 - e. With mounts in position use screws (provided) to fasten mounts to post.



Westbury® Bracket Mounting Template Installation Instructions



3. Installing Westbury® mid rail mounts for 42" tall sections:

- Determine width of post.
- Use thumbscrew to adjust height of template for 3/8" or 1/2" post plate.
- Place template onto post using corresponding side of template to match post width. Bottom of template will sit on top of post plate.
- Place top and bottom rail mounts in template.
- With top and bottom mounts in position use screws (provided) to fasten top and bottom mounts to post.
- Move template up 6".
- Place mid rail mount in template.
- With mid rail mount in position use screws (provided) to fasten mid rail mount to post.

4. Installing Westbury® mounts on corner posts:

- Determine width of post.
- Use thumbscrew to adjust height of template for 3/8" or 1/2" post plate.
- Place template onto post using corresponding side of template to match post width. Bottom of template will sit on top of post plate.
- Template will fit over mounts already installed on perpendicular side of post.
- Place top and bottom rail mounts in template and mid rail mount if applicable.
- With mounts in position use screws (provided) to fasten mounts to post.

