

LUXEM BRIGHT®

LED SYSTEMS

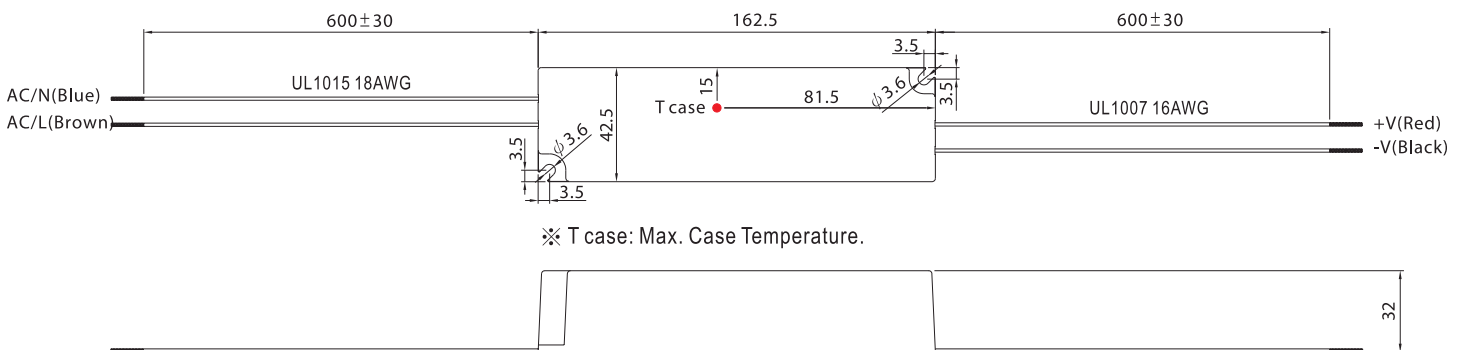


OVERVIEW AND FEATURES

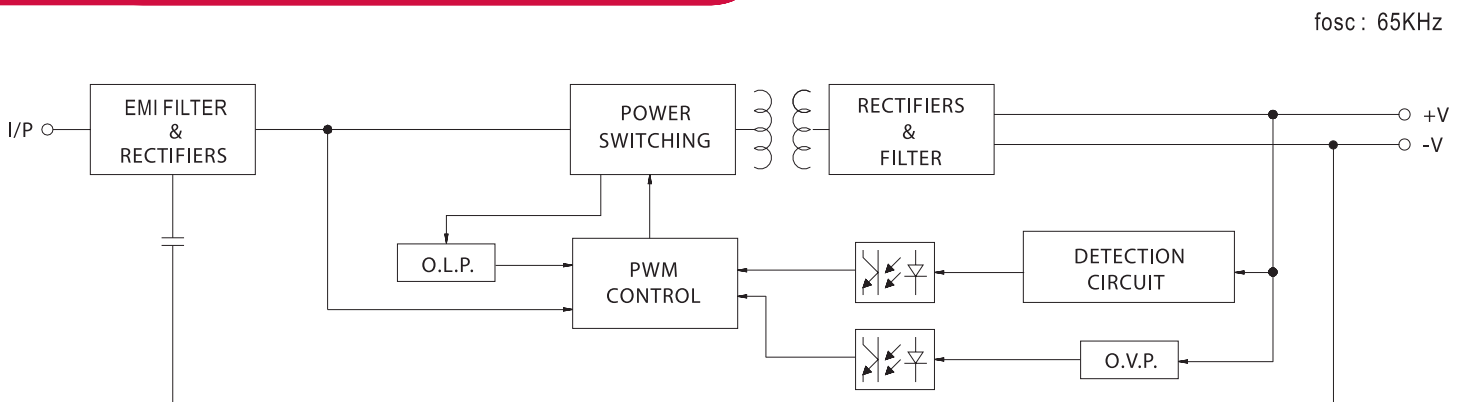
This 60 watt power supply (UL1310/UL48 Class 2 certified) is compatible with all LuxemBright® LED systems. This unit is UL recognized (E320521/E307078) in the US and Canada, CE certified, and has a IP67 rating for dry and damp locations.

- IP67 rating
- 60 Watt load
- 2 year warranty
- Constant voltage design
- Universal AC input / Full range
- Withstand 300VAC surge input for 5 seconds
- Cooling by free air convection
- Fully encapsulated with IP67 level
- Fully isolated plastic case
- Class II power unit, no FG
- Pass LPS
- Suitable for LED lighting and moving sign applications
- 100% full load burn-in test
- Low cost, high reliability
- Protections:
 - Short circuit
 - Overload
 - Over-voltage

DIMENSIONS



BLOCK DIAGRAM

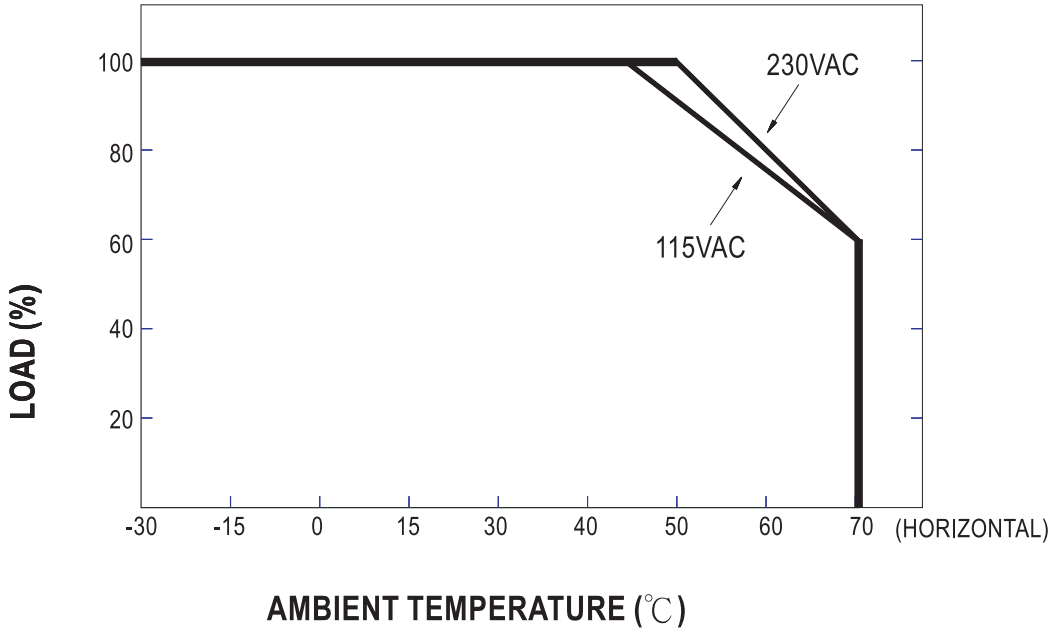


ELECTRICAL SPECIFICATIONS

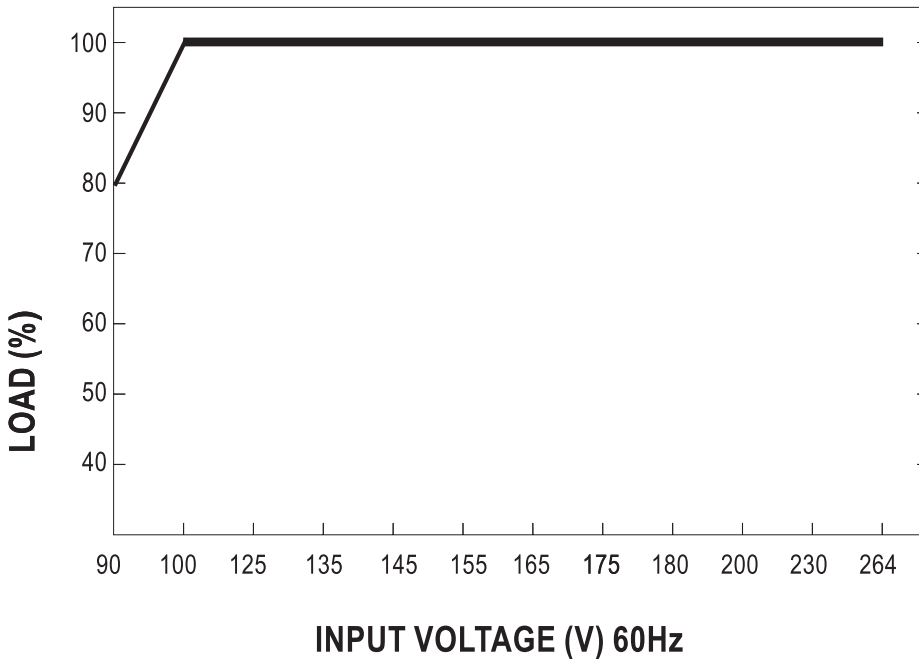
OUTPUT	DC Voltage	12 Volts
	Constant Current Region	
	Rate Current	5 Amps
	Current Range	0.0 A to 5.0 A
	Rated Power	60 Watts
	Ripple Noise (Maximum)	120mVp-p
	Voltage Adjustment Range	
	Voltage Tolerance	±5%
	Line Regulation	±1%
	Load Regulation	±2%
	Setup, Rise Time	500 ms, 20ms/230 VAC 500 ms, 20 ms/115 VAC at full load
INPUT	Voltage Range	90–264 VAC
	Frequency Range	47 Hz to 63 Hz
	Power Factor	
	Efficiency (Typical)	83%
	AC Current	1.2 A/115 VAC 1 A/230 VAC
	Inrush Current (Maximum)	Cold Start 30 A/115 VAC 60 A/230 VAC
	Leakage Current	0.25 mA/240 VAC
PROTECTION	Over Current	110% to 150%
	Over Voltage	13.8 V to 16.2 V
	Over Temperature	
VIBRATION	Working Temperature	-30°C to 70°C
	Working Humidity	20% to 90% RH non-condensing
	Storage Temperature, Humidity	-40°C to +80°C, 10% to 95% RH
	Temperature Coefficient	±0.03%/ °C (0°C to 50°C)
	Vibration	10 Hz to 500 Hz, 2G 10 min/1 cycle
SAFETY & EMC	Safety Standards	UL879, UL1310 Class 2(except for LPV-60-5), CAN/CSA C22.2 No. 223-M91(except for LPV-60-5,LPV-60-48), IP67 approved ; design refer to TUV EN60950-1, EN61347-2-13
	Withstand Voltage	I/P-O/P:3KVAC
	EMI Conduction & Radiation	Compliance to EN55022 (CISPR22) Class B, EN61000-3-2 Class A, EN61000-3-3
	Harmonic Current	
	EMS Immunity	Compliance to EN61000-4-2,3,4,5,6,8,11, EN55024, light industry level, criteria A

*Specifications subject to change

DERATING CURVE



STATIC CHARACTERISTICS



RETURNS

Please contact the distributor where the products were purchased for any returns. CAO Lighting, Inc ("CAO Lighting") is not responsible for quality issues caused by improper maintenance and handling of our products.

www.CAOLighting.com

Data subject to change. Copyright reserved by CAO Lighting. No part of this datasheet may be reproduced in any form without the permission from the publisher.

For product information and a complete list of sales representatives, please go to our website.

For technical assistance please call:

U/Canada: 1+ (877) 236-4401 or 1+ (801) 256-9282

 **CAO LIGHTING, INC.**
LED through Innovation™

 **UL US**
E183223

ISO 9001 CERTIFIED
TS 16949 CERTIFIED FACTORY



SELV EQUIVALENT LPS

SAL-DS0015 A.1