



Dynasty LED Retrofit Kit

805-45W Series

- 805-45W-30K-E39
- 805-45W-40K-E39
- 805-45W-50K-E39
- 805-45W-57K-E39
- (E26 Medium Base Optional)

FEATURES

- LED Retrofit Kit to replace MH/HPS/HID
- Suitable for enclosed fixtures
- Advanced, vortex air flow thermal management.
- ETL certified for damp locations
- Easy installation
- High quality components: Top brand LEDs / MeanWell driver / Sunon fan
- Easy, low cost maintenance and repair.

TYPICAL APPLICATIONS

- Shop Boxes
- Canopy Light
- Wall Pack
- Flood Light
- Street Light
- High Bay
- Low Bay

SPECIFICATIONS

PERFORMANCE

LED Chip	Cree / Osram / Philips
Lumen Output (IES)	4,500 lm
Power Consumption	45 W
Efficacy (IES)	100 lm/W
Beam Angle	120°
Color Temperature	3000K / 4000K / 5000 K / 5700K *
CRI	>80
Lumen Maintenance	70,000 hours (Calculated Using TM-21 Calculator)
Input Voltage	90-305 VAC
Power Factor	>0.90
Driver	MeanWell
Cooling	Heat Sink + Sunon Fan
Certification	ETL / cETL, CE Rohs

ENVIRONMENTAL

IP Rating	IP65
Operating Temperature	-40 to 55°C (-40 to 131°F)
Humidity	15% to 90% RH

PHYSICAL

Dimensions	Φ4.7" x 1.8"
Mounting Options	E39 / E40 / E26 Screw In Base
Fixture Material	Aluminum Alloy

WARRANTY

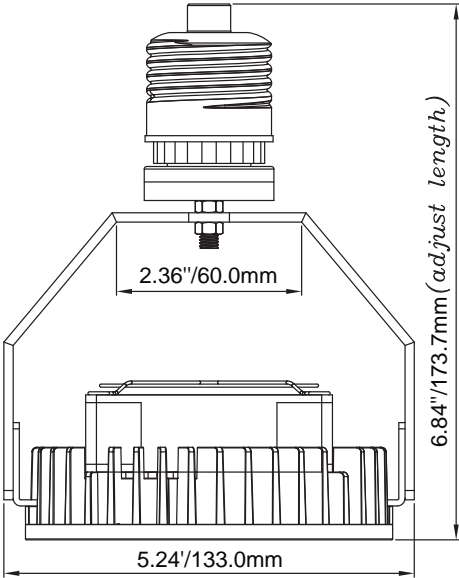
5 Years

Note: Other CCTs available upon request.

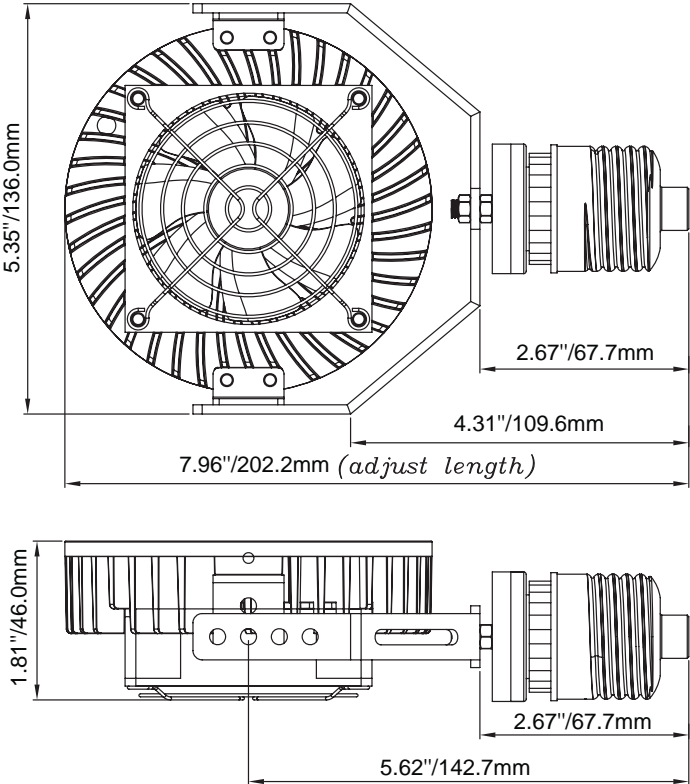


MECHANICAL DRAWINGS

Vertical Installation



Horizontal Installation



MATERIALS LIST

Retrofit Kit Series	Power Supplies			Accessories				
	Model No.	Dimensions	Qty	U Bracket Type	L Bracket	E26 to E39 Adapter	Wago Connector	Wire Cable
805-35W	LPF-40-30	6.40"x1.69"x1.26"	1	E26	2 pcs	1 pc	4 pcs	N/A
805-45W	LPF-40-24	6.40"x1.69"x1.26"	1	E26	2 pcs	1 pc	4 pcs	N/A
805-65W	LPF-60-24	6.40"x1.69"x1.26"	1	E26	2 pcs	1 pc	4 pcs	N/A
805-75W	CEN-75-24	7.28"x2.46"x1.59"	1	E26	2 pcs	1 pc	5 pcs	N/A
805-80W	HLG-80H-24	7.70"x2.42"x1.53"	1	E26	2 pcs	1 pc	5 pcs	N/A
805-100W	HLG-100H-24	8.66"x2.68"x1.53"	1	E26	2 pcs	1 pc	5 pcs	N/A
805-120W	HLG-120H-24A	8.66"x2.68"x1.53"	1	E26	2 pcs	1 pc	5 pcs	N/A
805-150W	HLG-150-24A	8.98"x2.68"x1.53"	1	E26	2 pcs	1 pc	5 pcs	1 pc
805-200W	HLG-240H-24A	9.61"x2.68"x1.53"	1	E26	2 pcs	1 pc	5 pcs	1 pc
805-320W	HLG-320H-24A	9.92"x3.54"x1.72"	1	E26	2 pcs	1 pc	5 pcs	1 pc
805-400W	HLG-240H-24A	9.61"x2.68"x1.53"	2	E39	2 pcs	N/A	10 pcs	1 pc
805HV-65W	HVG-65-24A	7.44"x2.42"x1.45"	1	E26	2 pcs	1 pc	5 pcs	1 pc
805HV-100W	HVG-100-24A	9.29"x2.68"x1.53"	1	E26	2 pcs	1 pc	5 pcs	1 pc
805HV-120W	HVG-150-24A	9.65"x2.68"x1.53"	1	E26	2 pcs	1 pc	5 pcs	1 pc
805HV-150W	HVG-150-24A	9.65"x2.68"x1.53"	1	E26	2 pcs	1 pc	5 pcs	1 pc
805HV-400W	HVG-150-24A	9.65"x2.68"x1.53"	3	E39	2 pcs	N/A	10 pcs	1 pc

Notes:

1. The dimensions of power supplies are for casing only and do not include cable or wires.
2. The L brackets are used to connect the U bracket to LED panel.
3. The Wago connectors are used to connect all electrical wires.

TYPICAL APPLICATIONS

ACCESSORIES

U Bracket & Adapter



L Bracket



Wago Connector



Wire Cable



CAO LIGHTING, INC.
LED through Innovation™

4628 West Skyhawk Drive, West Jordan, UT 84084-4501
Phone 877.236.4403 Fax 801.256.9287
customer@caolighting.com
www.caolighting.com

