

Datasheet - Diamond Series

40W, Socket Down



5 Year Warranty

Specifications

Model	601B-40W
Power Consumption	40 W
Input Voltage	AC100-277V 50-60Hz
CCT*	3000K / 4000K / 5000K
Power Factor	≥0.9
CRI	> 80
Lumen	5200 lm
LED	Samsung
LED Quantity	144 LEDs
LED LM80	Yes

* Other CCTs available upon request.



Samsung LEDs



Rubycon Capacitors

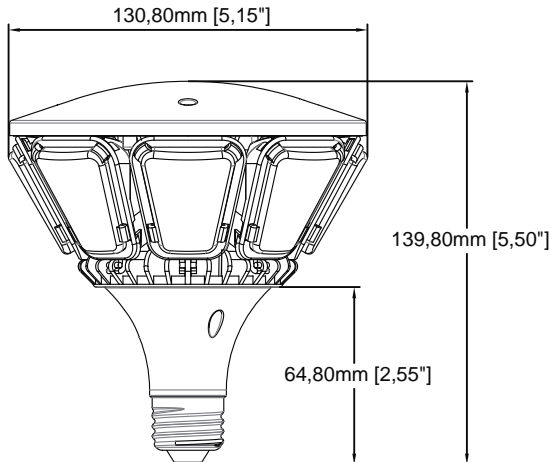


E39/EX39 Base

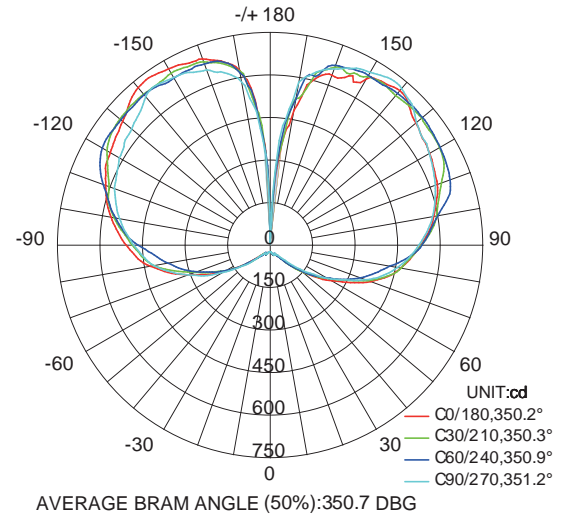


JAE Connectors

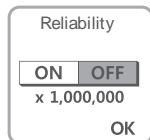
Dimensions



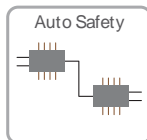
Beam Spread



Lifespan of 10 years



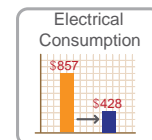
Reliability Test



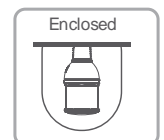
Surge Protection Circuit



Environmentally Friendly



Savings of 87% on Electrical Costs

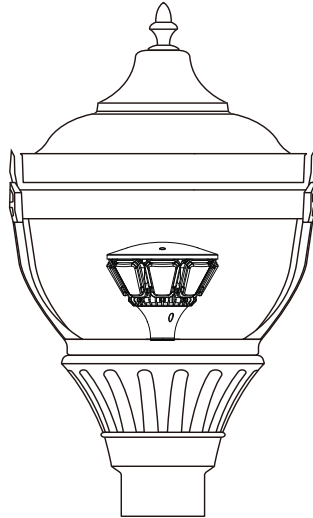


Suitable for Enclosed Fixtures

Datasheet - Diamond Series
40W, Socket Down



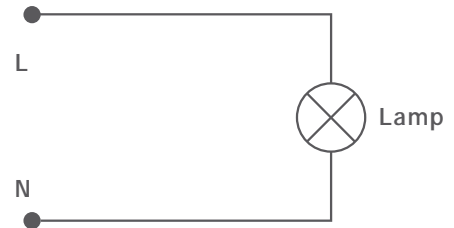
Typical Installation



Maximum Rating

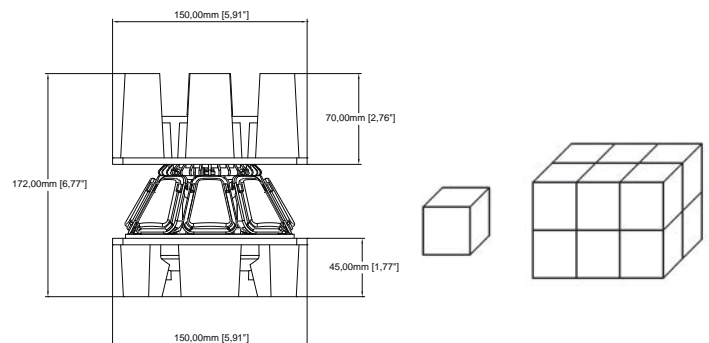
Parameter	Rating	Units
Aluminum Heat Sink Temperature	64.9	C
Operating Temperature	-20~+65	C
Storage Temperature	-40~+80	C
Equilibrium Temperature	25	C

Wiring Diagram



Product Packing Specification

Packing Details	
Pack Quantity	12pcs
Net Weight	1.6lbs/735g
Gross Weight Per CTN	26lbs/11.8kg
Box Size	6.10*6.10*7.05" 155 *155 *179mm
CTN Size	19.09*12.99*15.16" 485 *330 *385mm



⚠ CAUTIONS

- Do not place lamp near flammable materials.
- Please allow lamp to cool before replacing.

CAO LIGHTING, INC.
LED through Innovation™

4628 West Skyhawk Drive, West Jordan, UT 84084-4501
Phone 877.236.4403 Fax 801.256.9287
customer@caolighting.com
www.caolighting.com