



Dynasty LED Area / Roadway Light

904 Series
 904-240
 904-240T
 904-240HV
 904-240HVT

FEATURES

- System Light Efficacy 120 LPW
- Flexible, Modular Design
- Multiple Choice of Optical Lenses
- Easy Installation & Maintenance
- IP66
- Five Years Warranty

TYPICAL APPLICATIONS

- Road Way Lighting
- Walkway Lighting
- Plaza Lighting
- Area Lighting

SPECIFICATIONS

PERFORMANCE

LED Chip	LG , OSRAM
Lumen Output (IES)	28,800lm
Power Consumption	240 W
Efficacy (IES)	120 lm/W
Efficacy (LED)	150 lm/W
Beam Angle	Type I, Type II, Type V
Color Temperature	4500~5500K (2500~5500K Optional)
CRI	≥70
Lumen Maintenance	L70>100,000 hours (Calculated Using TM-21 Calculator)
Input Voltage	100-277 VAC (347/480 VAC Optional) Dimming Optional
Power Factor	0.95 minimum

ENVIRONMENTAL

IP Rating	IP66
Operating Temperature	-30 to 45°C (-22 to 113°F)
Storing Temperature	-40 to 80°C (-40 to 167°F)
Humidity	15% to 95% RH

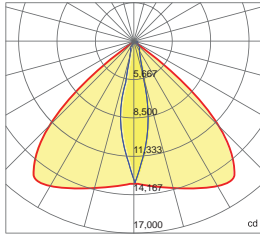
PHYSICAL

Dimensions (L×W×H)	1015×380×82.7 mm (40.0×15.0×3.3 in) (Slip Fitter)
Weight	11.8 kg (26.0 lbs) (Slip Fitter)
Mounting Options	Horizontal Arm, Slip Fitter
Fixture Material	Aluminum Alloy

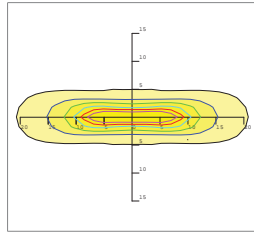
WARRANTY

5 Years

Type I 30×100 DEGREE LENS



— 0.0~180.0
— 90.0~270.0

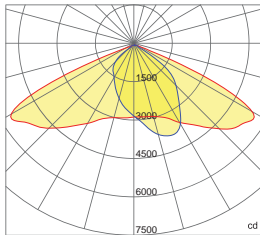


Mounting Height 10m, 0 Tilt,
50LUX-5LUX

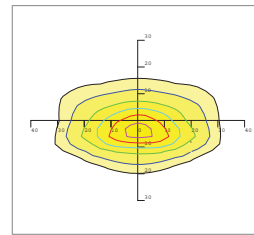
Height	Rectangular Light Spot	LUX
2m	0.9×4.5m	3491LUX
4m	1.9×8.9m	873LUX
6m	2.8×13.4m	388LUX
8m	3.7×17.9m	218LUX
10m	4.7×22.3m	140LUX

Beam Angle (50% max) 30x100 DEG
Luminous Flux (IES) 12,000 lm
Light Efficacy (IES) 120 lm/W
Cutoff Classification Cutoff

Type II 70×135 DEGREE LENS (Forward 5°)



— 0.0~180.0
— 90.0~270.0

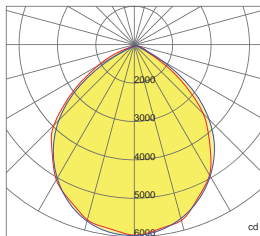


Mounting Height 10m, 0 Tilt,
20LUX-0.2LUX

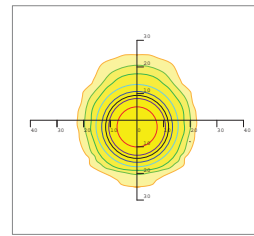
Height	Rectangular Light Spot	LUX
2m	1.8×2.1m	715LUX
4m	3.6×4.2m	179LUX
6m	5.4×6.3m	80LUX
8m	7.2×8.3m	45LUX
10m	9.0×10.4m	29LUX

Beam Angle (50% max) 70x135 DEG
Luminous Flux (IES) 12,000 lm
Light Efficacy (IES) 120 lm/W
Cutoff Classification Cutoff

Type V 90 DEGREE LENS



— 0.0~180.0
— 90.0~270.0

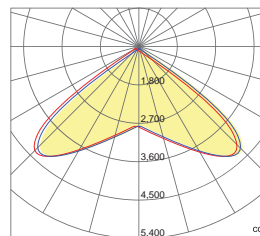


Mounting Height 10m, 0 Tilt,
20LUX-0.2LUX

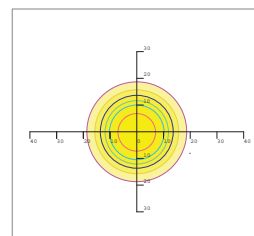
Height	Beam Diameter	LUX
2m	φ 4.4m	1486LUX
4m	8.7×8.9m	372LUX
6m	13.1×13.3m	165LUX
8m	17.4×17.7m	93LUX
10m	21.8×22.2m	60LUX

Beam Angle (50% max) 90 DEG
Luminous Flux (IES) 12,000 lm
Light Efficacy (IES) 120 lm/W
Cutoff Classification Cutoff

Type V 110 DEGREE LENS



— 0.0~180.0
— 90.0~270.0

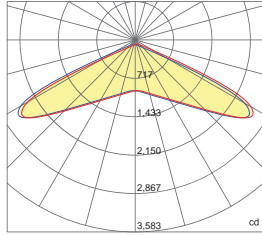


Mounting Height 10m, 0 Tilt,
20LUX-0.2LUX

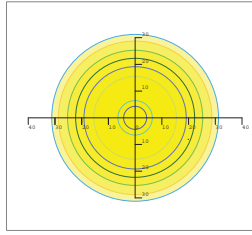
Height	Rectangular Light Spot	LUX
2m	4.0×4.3m	685LUX
4m	8.0×8.6m	171LUX
6m	12.0×13.0m	76LUX
8m	15.9×17.3m	43LUX
10m	19.9×21.6m	27LUX

Beam Angle (50% max) 110 DEG
Luminous Flux (IES) 12,000 lm
Light Efficacy (IES) 120 lm/W
Cutoff Classification Cutoff

Type V 150 DEGREE LENS



— 0.0~180.0
— 90.0~270.0

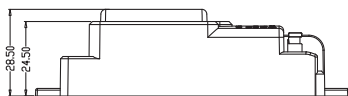
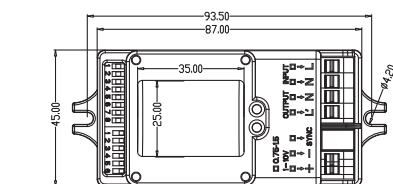
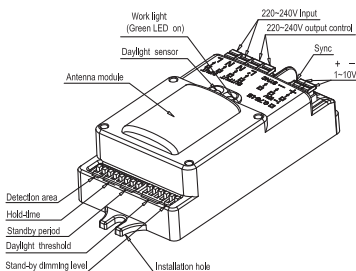


Mounting Height 10m, 0 Tilt,
20LUX-0.2LUX

Illumination-150 Degree Beaming Angle		
Height	Rectangular Light Spot	LUX
2m	1.8x5.3m	334LUX
4m	3.7x10.7m	84LUX
6m	5.5x16.0m	37LUX
8m	7.4x21.4m	21LUX
10m	9.2x26.7m	13LUX

Beam Angle (50% max)	150 DEG
Luminous Flux (IES)	12,000 lm
Light Efficacy (IES)	120 lm/W
Cutoff Classification	Cutoff

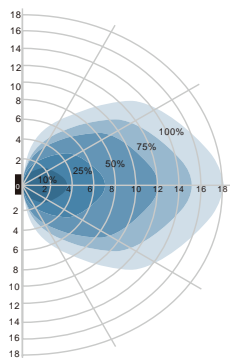
Motion Sensor Option



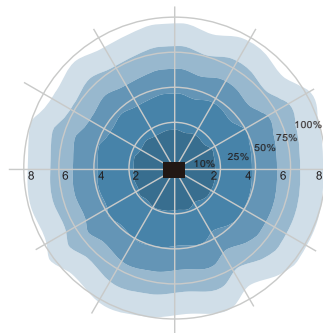
Technical Data

Operating voltage	120~277Vac, 50Hz/60Hz
Rated capacitive load	120V@400W;220-240V@800W;277V@1000W
HF system	5.8GHz±75MHz, ISM wave band
Transmitting power	<0.5mW
Power consumption	≤0.5W(standby), <1W(operation)
Detection zone	Max.(D x H): 16m x 15m
Detection sensitivity	10% / 50% / 75% / 100%
Hold time	5s / 30s / 90s / 3min / 20min / 30min
Daylight sensor	2lux/5lux / 10lux / 25lux /50lux / 100lux / Disable
Stand-by period	0s /5s / 5min / 10min / 30min / 1h / +∞
Stand-by dimming level	10% / 20% / 30% / 50%
Mounting height	15m Max.
Motion detection	0.5~3m/s
Detection angle	150°(wall installation), 360°(ceiling installation)
Operating temperature	-35 C ~70 C
IP rating	IP20
Warranty	2 Years

Detection Pattern



Wall mounting pattern (Unit: m)
Suggested installation height: 1-1.8m



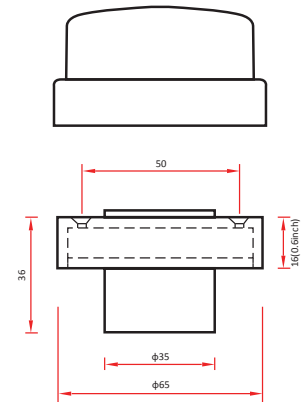
Ceiling mounting pattern (Unit: m)
Suggested installation height: 2.5-10m

Photocell Option

JL-200X Receptacle for Luminaire assembly

- UL773/ANSI C136.10-1996 receptacle for luminaires
- UL & C-UL recognized
- Phenolic socket
- Brass/Phospor Bronze contacts
- AWG #14/Rated 105°C or 150°C leads, 6" Min.
- 480V Max., 15Amp Max.

Ambient Temp.: -40°C~+80°C
Relative Humidity: 99%
Weight Approx.: 60g



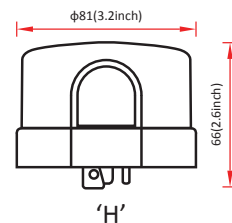
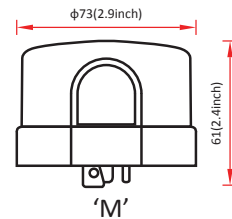
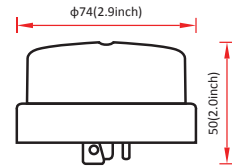
JL-202 Time-delay Thermal Control



- Easy-to-maintain Twist-lock (ANSI C136.10)
- IP65 protection while installed
- 30-120 seconds time-delay switching-over for luminaires protection
- Surge Arrester available
- UL & C-UL listed; ETL & C-ETL listed
- Various enclosure size available

- SPST-NO
- Thermal switch
- UV stabilized Polycarbonate cover & clear window
- High impact Polybutylene terephthalate Base
- 1" CdS photocell for standard; 1/2" CdS photocell with heat sink available
- 110J/3500A MOV for standard; 235J & 460J MOV available

On-Off Levels: 10~20Lx On(Dusk): 30~60Lx Off(Dawn)
Ambient Temp.: -40°C~+70°C
Related Humidity: 96%
Power consumption: 1.5VA Max.
Enclosure Color (M/H): Gray/ Maroon/ Blue or Client Request
Clear Enclosure (Null): Available
Electrical Life: 6500 cycles



Model.No.	Rated Voltage	Applicable Voltage	Rated Loadings	Certificates
JL-202A	120VAC	110-130 VAC	1800W Tungsten	
JL-202B	220VAC	200-240 VAC	1000VA Ballast	
JL-202C	208VAC	190-230 VAC	1800W Tungsten	
JL-202D	277VAC	250-305 VAC	1800VA Ballast	

*Append "M" for Medium cover, or "H" for Higher cover
 *Append "15" for 235J or "23" for 460J MOV
 *Append "U" for 1" Photocell



Passive Infrared Sensor Option

Technical Data

Input Voltage	120-277VAC, 50/60Hz
Max Load	800VA @ 120VAC, 6.7A 1200VA @ 208/240/277VAC, 4.3A
Sensor Type	Passive infrared (PIR); single load
Min Load	None
Max Range (high bay lens)	Dia. up to 80ft @ 40ft mounting height
Max Range (low bay lens)	Dia. up to 40ft @ 20ft mounting height
Optimal Range (high bay lens)	Dia. 25ft @ 40ft mounting height
Optimal Range (low bay lens)	Dia. 13ft @ 20ft mounting height
Time Delay	10 sec to 20 min
Photocell Sensitivity	ON @ 30lux, OFF @ >100lux
Operating Temperature	-20° to 60°C
Storage Temperature	-20° to 60°C
Relative Humidity	20-90% non-condensing
Mounting	Fixture mount
IP Rating	IP65
Color	White
Warranty	5 Years

Physical Dimensions

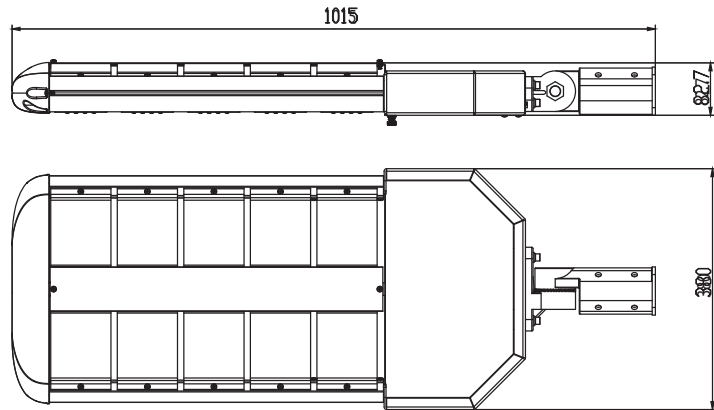
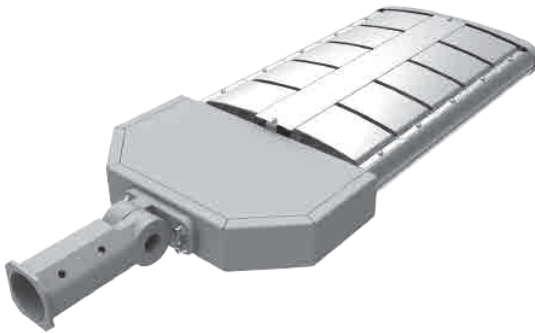


Suitable for outdoor use
Equivalent indoor version: PSC-HB-I-FM-110

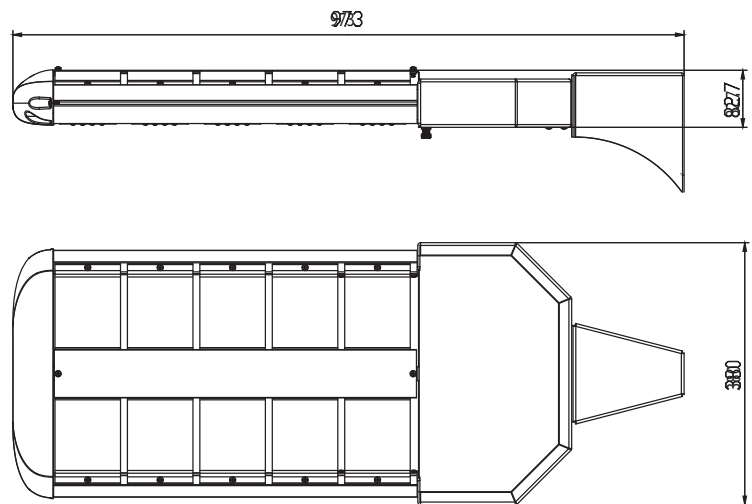
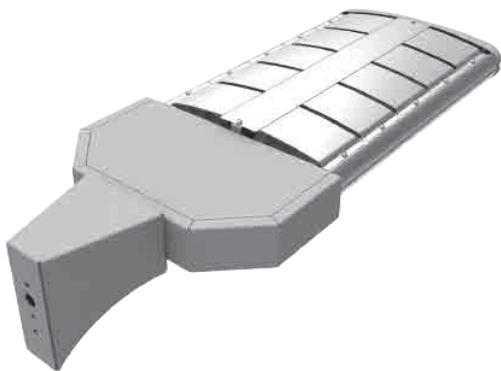
Weight: 7.8 oz

Mounting Options

Slip Fitter



Horizontal Arm



CAO LIGHTING, INC.
LED through Innovation™

4628 West Skyhawk Drive, West Jordan, UT 84084-4501
 Phone 877.236.4403 Fax 801.256.9287
 customercare@caolighting.com
 www.caolighting.com

