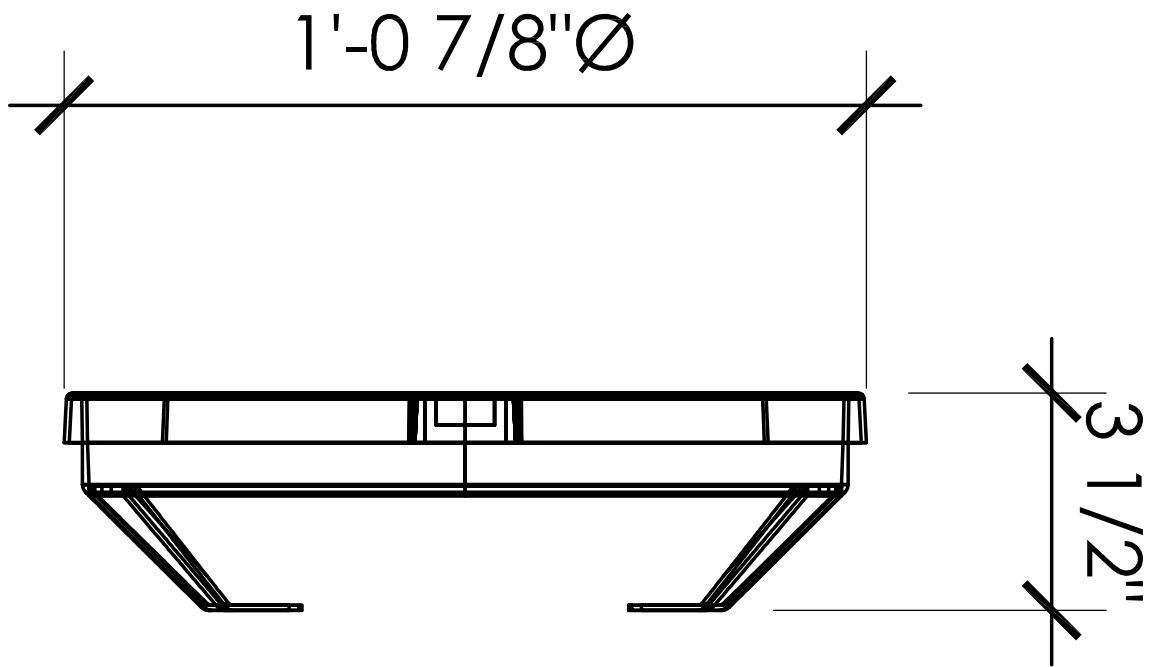




WP FAIL-SAFE LLC  
P.O. BOX 3498  
FREDERICK, MD 21705  
OFFICE 240-361-2484  
FAX 240-361-2489  
WWW.WPFAILSAFE.COM  
ASSEMBLY VIDEO ON YOUTUBE.COM



COLLAR  
ELEVATION VIEW

SHEET  C1	JOB NO : BD-16-264
	SHEET TITLE : BASE ELEVATION
	DATE : 10.07.16

Bud Design &  
Engineering Services, Inc.  
10775 S. Saginaw St., Suite B  
Grand Blanc, MI 48439  
(PH) 810.695.0793  
(FAX) 810.695.0569  
Web: www.buddesign.com

