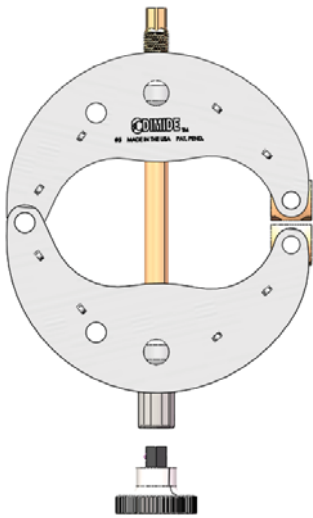




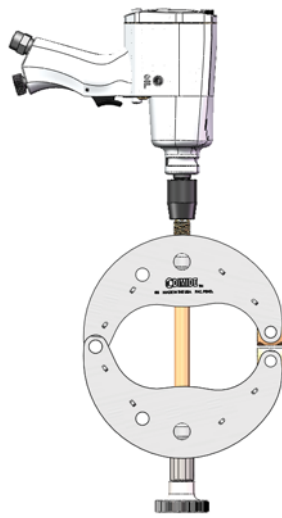
## Dimide Clamp - Instructions and Warnings

Read entire document prior to using the Dimide Clamp.

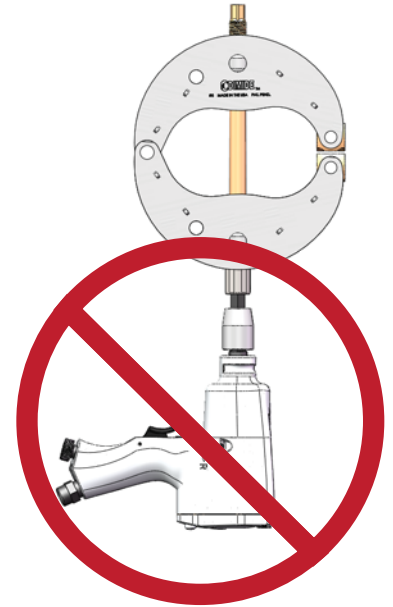
---



Insert the handle into the female hex.



Use the hex head driver of your choice on male hex.



**Warning:** Do not use impact driver on female hex.

---

### SAFETY WARNING

Always keep all body parts clear of the path of the clamp jaws.

Never use the clamp as a load-bearing device to lift, pull, or transport. Doing so may cause serious bodily injury.

Always wear safety goggles to protect your eyes.

Wear other appropriate safety items for protection.

### NOTES

Clamp is rated to a maximum impact wrench torque of 400 foot-pounds.

Clamp is rated to a maximum manual torque of 180 foot-pounds.

Maintain a coating of moly extreme pressure grease on screw threads.

---



Share your projects with **#Dimide**

For more information, guides, and resources visit [www.dimide.com](http://www.dimide.com)

Have any questions? Visit our FAQ at [www.dimide.com/pages/faq](http://www.dimide.com/pages/faq)

Email us at [customer.service@dimide.com](mailto:customer.service@dimide.com). Call us at (203) 745-6496.