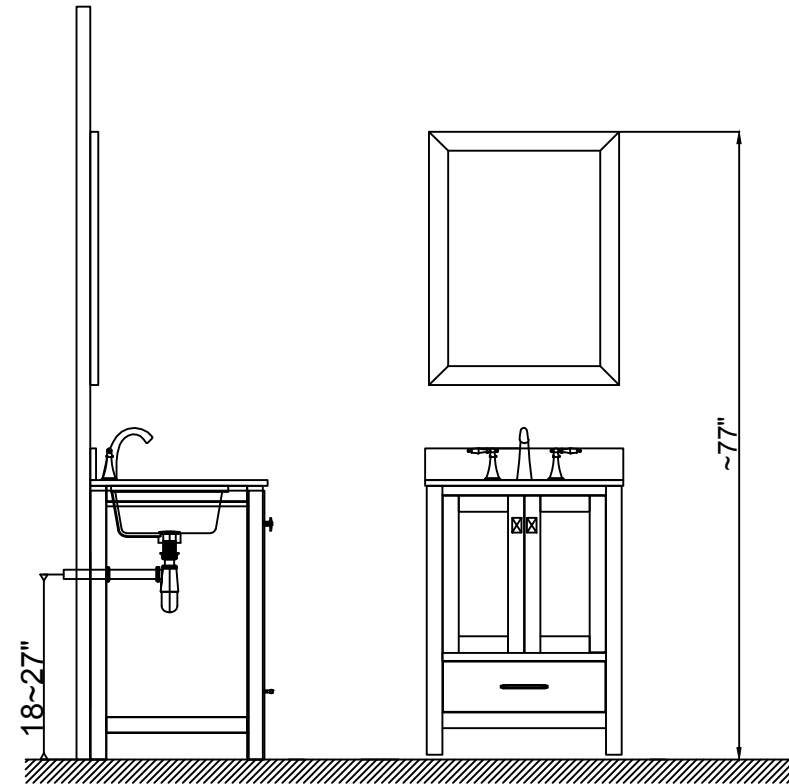


Prior to installation, please check the items you have received against the packing list. Report any missing items to your local dealer immediately.

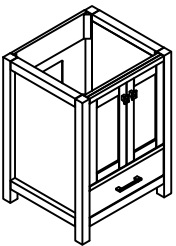
Protect all surfaces from sharp objects, high heat sources, direct prolonged sunlight and chemical hazards.

**Professional installation is recommended.**

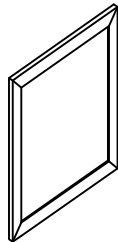


**PARTS LIST** (may differ depending on purchase)

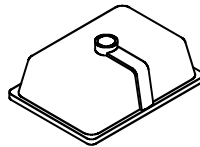
Cabinet



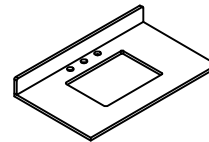
Mirror

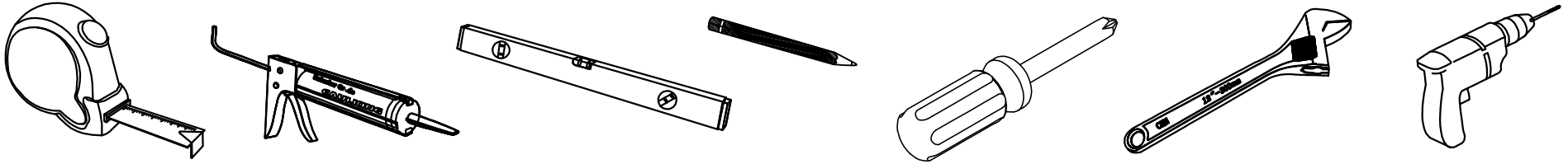
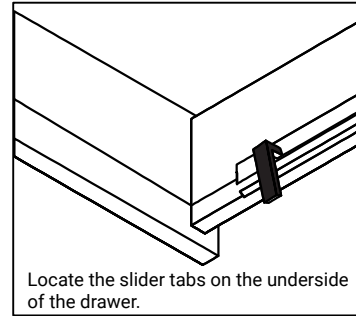
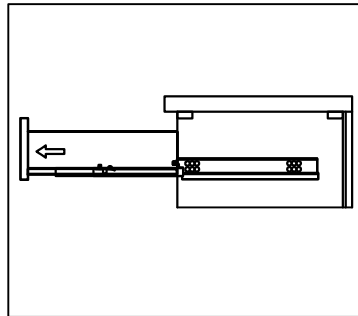
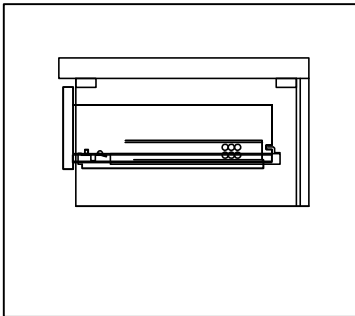


Basin



Top

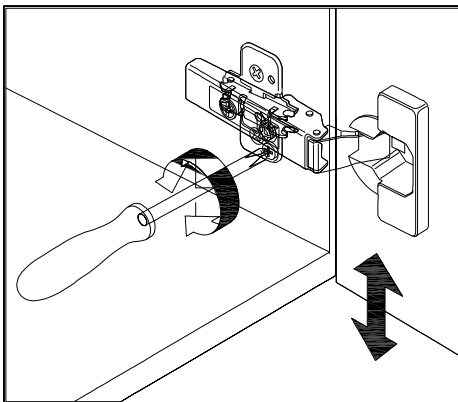


**REQUIRED TOOLS****DRAWER REMOVAL****REMOVAL**

1. Pull tabs toward center
2. Lift and pull drawer out

**RE-INSTALL**

1. Align drawer hole with slider stud
2. Push tabs back in to secure

**DOOR ADJUSTMENT**

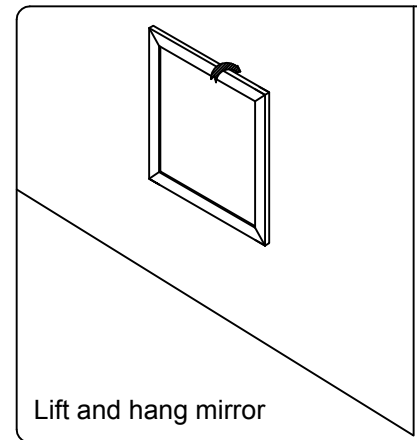
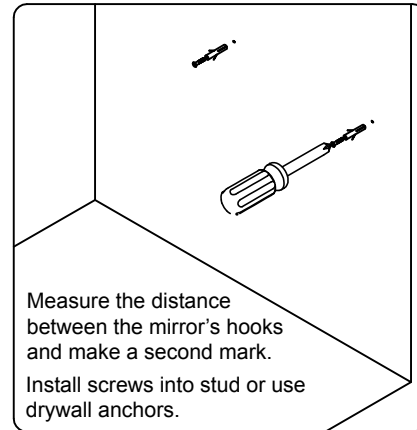
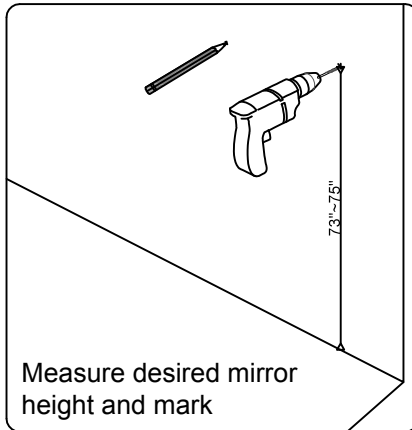
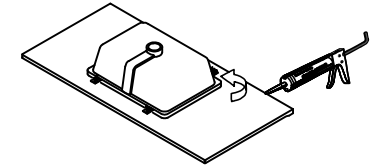
Adjusts the door vertically



Adjusts the door horizontally



Adjusts the door forward and backwards

**Mirror Installation****Basin Installation**

Apply sealant around the top edge of the sink rim. Flip top over and align basin to cutout. Screw in threaded bolts to each block. Secure plates with washer then wing nuts.

**Top Installation**