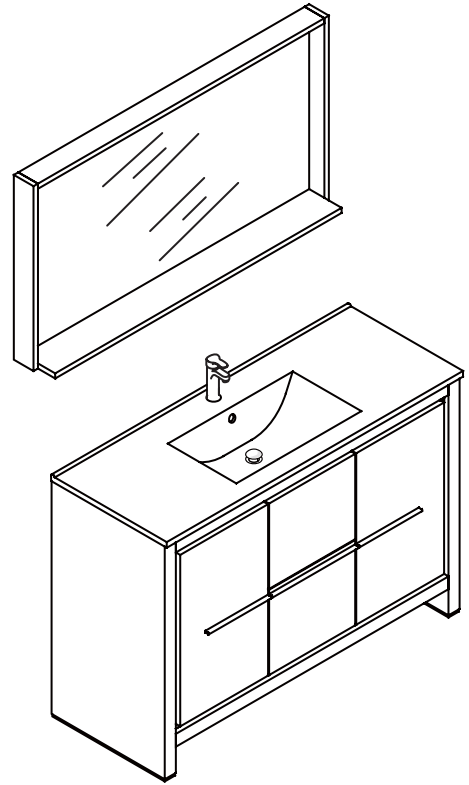
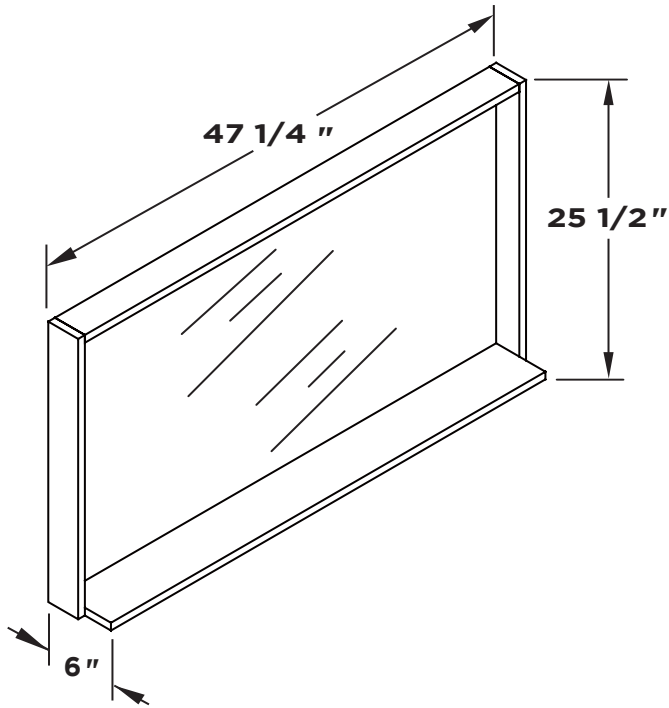
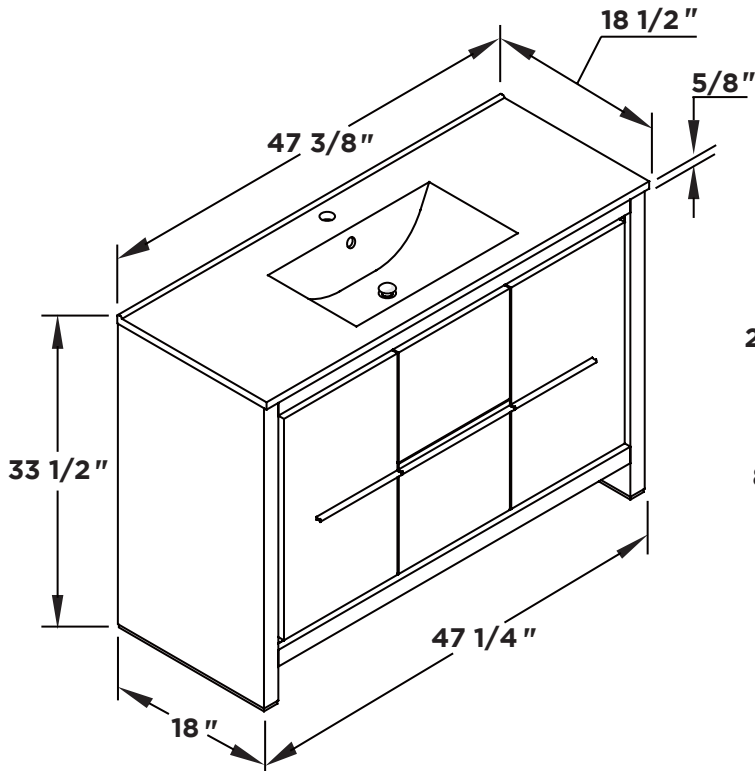


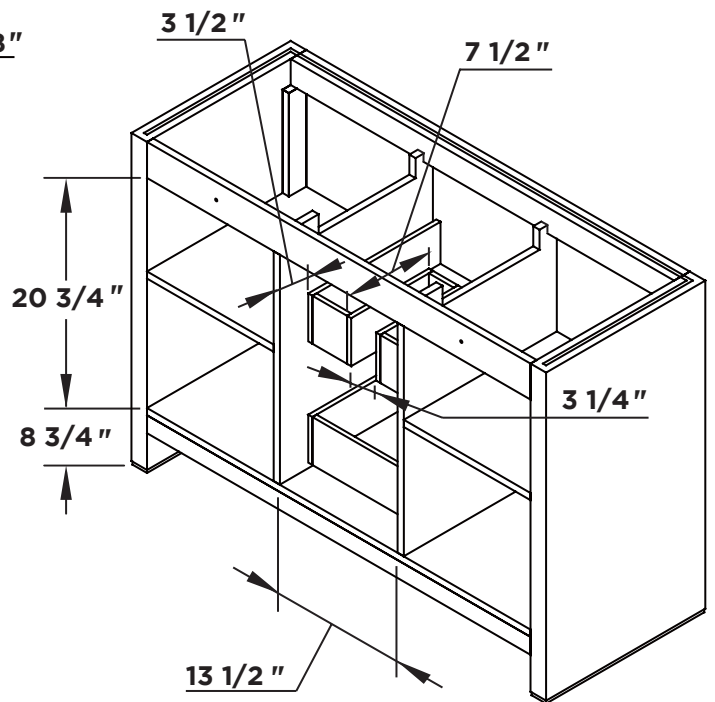
Mirror



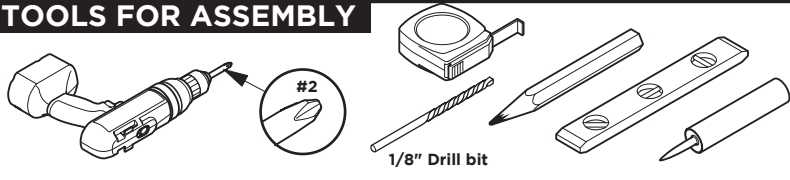
Vanity Front



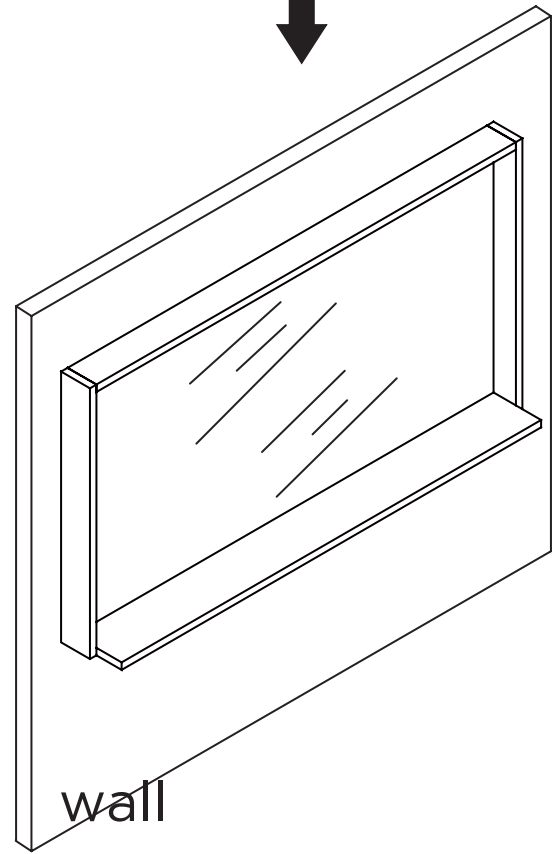
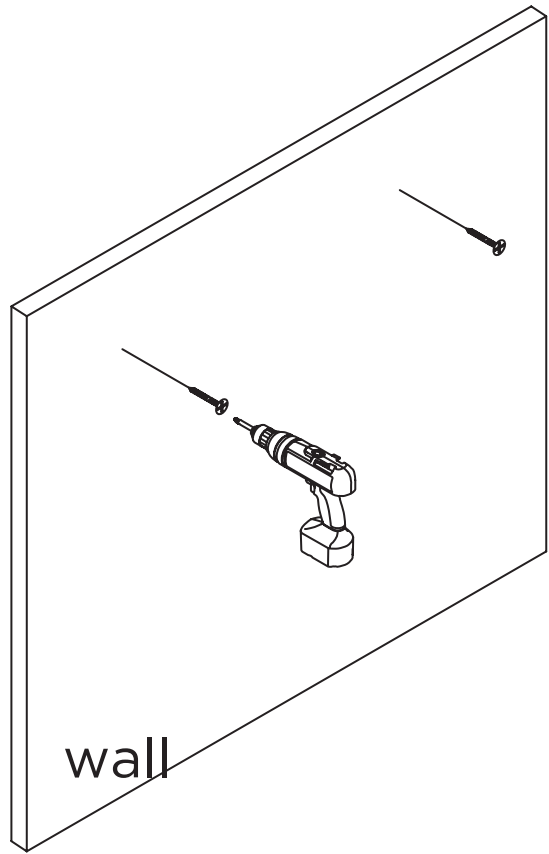
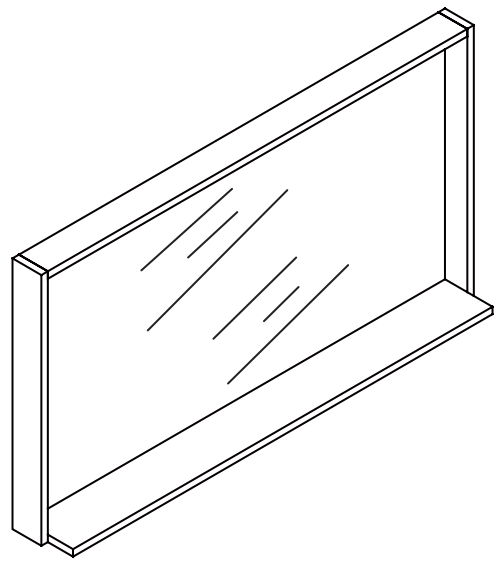
Vanity Back



TOOLS FOR ASSEMBLY

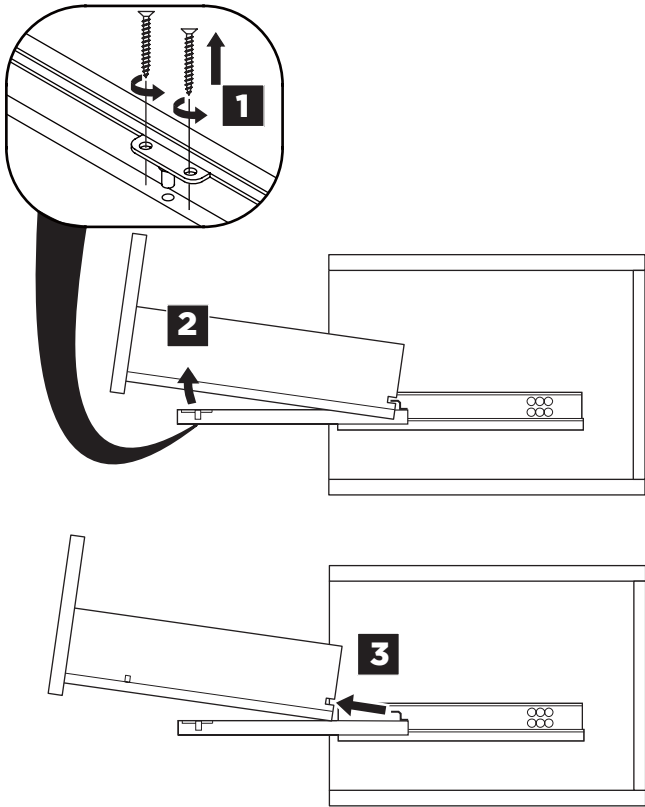


MIRROR INSTALLATION

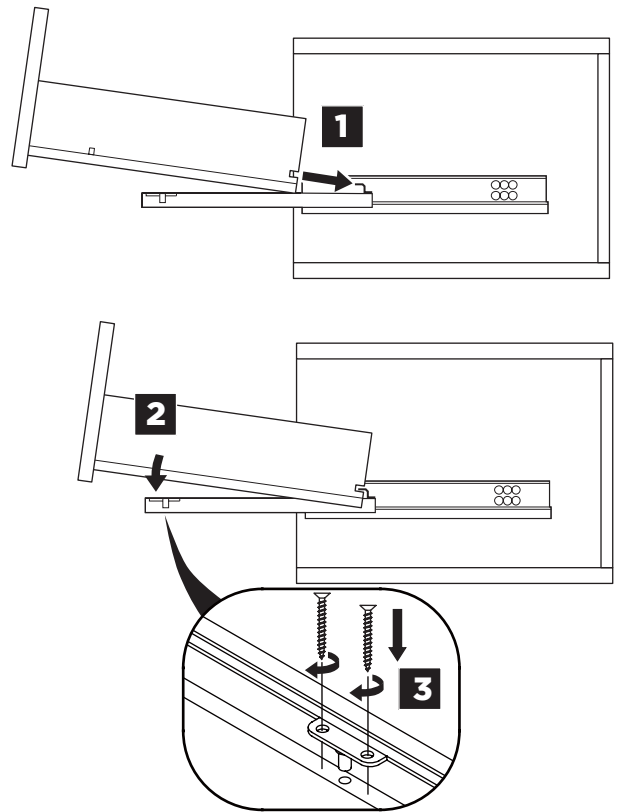


DRAWER REMOVAL & INSTALLATION

REMOVAL

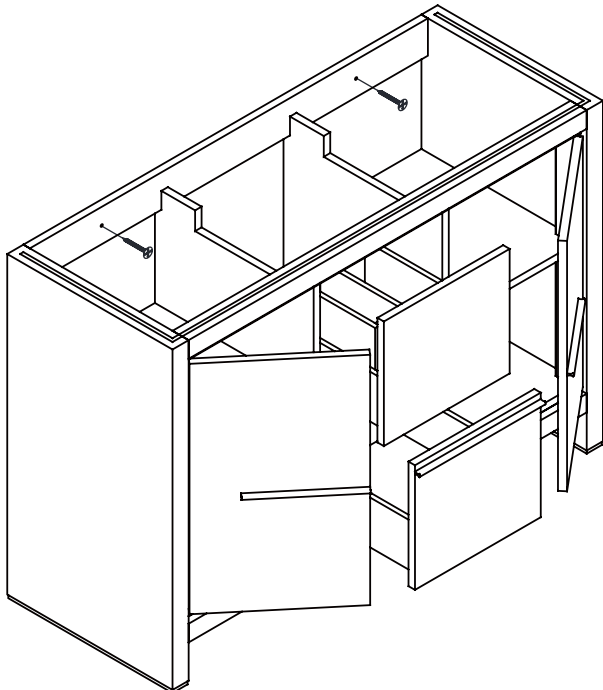


INSTALLATION

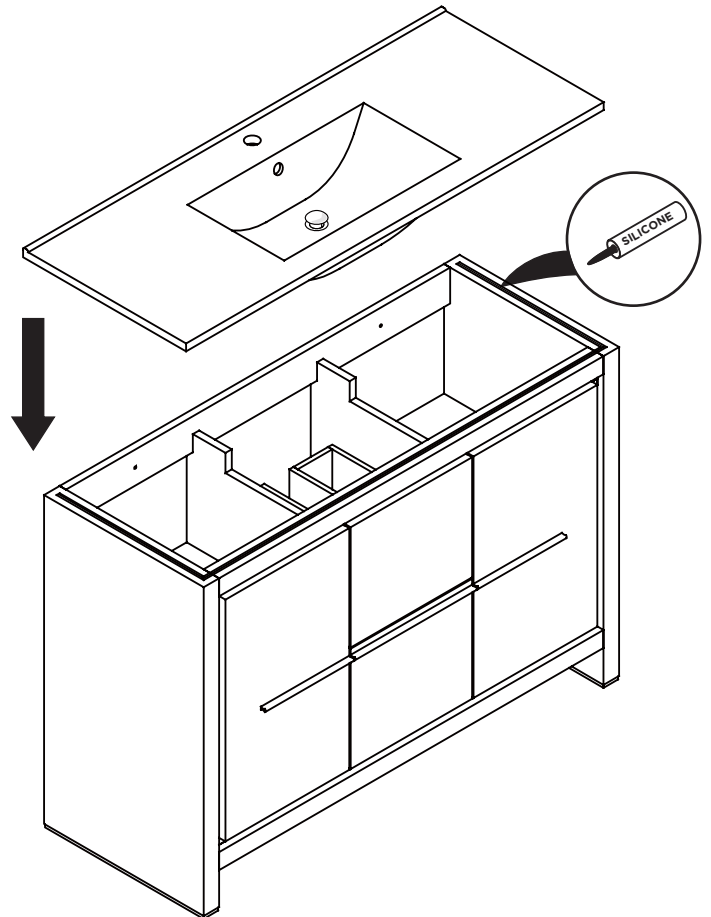


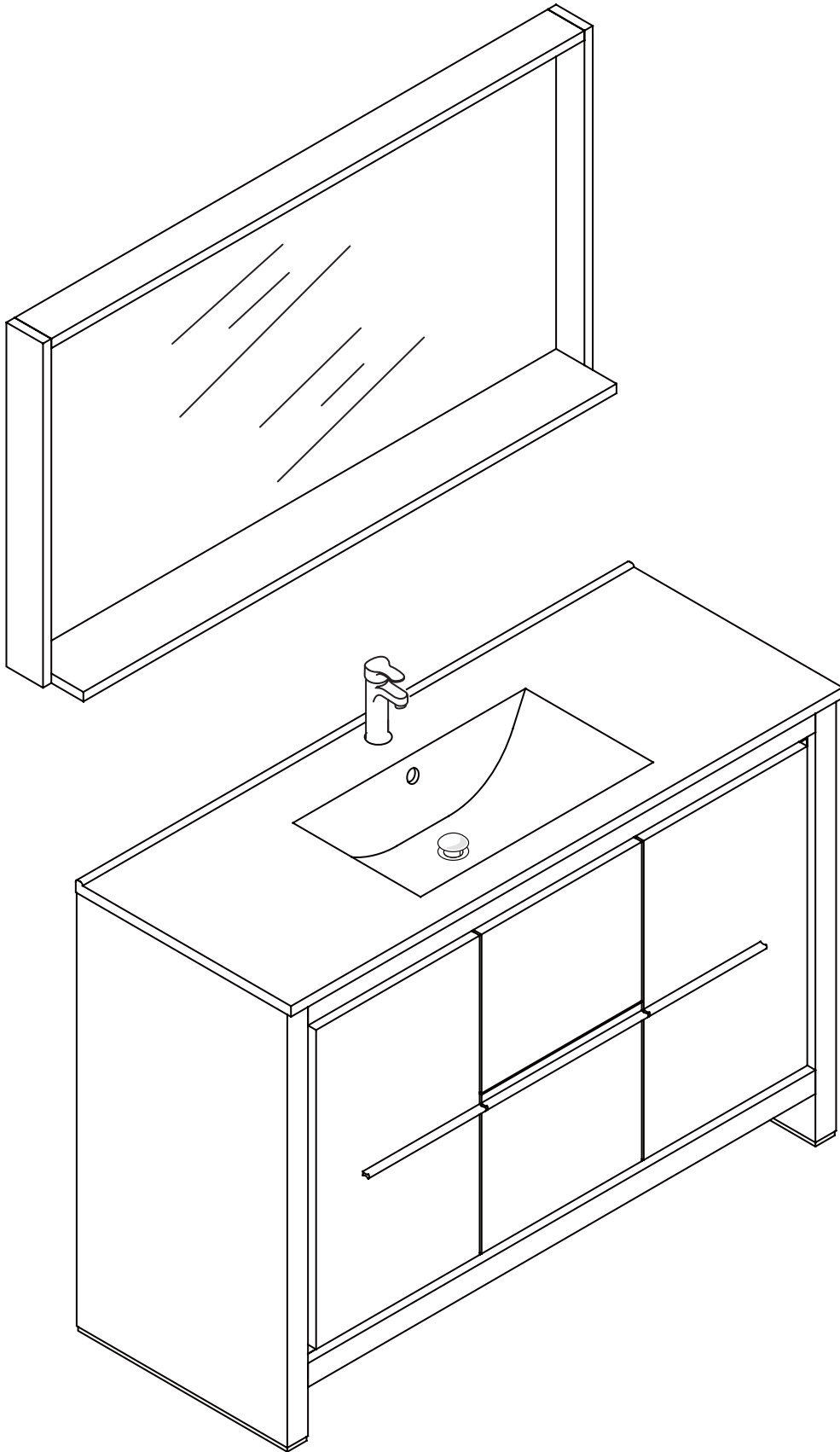
1 Remove drawer and open the door

IMPORTANT: Consult an expert for the proper screws/bolts to use when attaching to various wall constructions. Screws provided do not attach to all wall construction types.



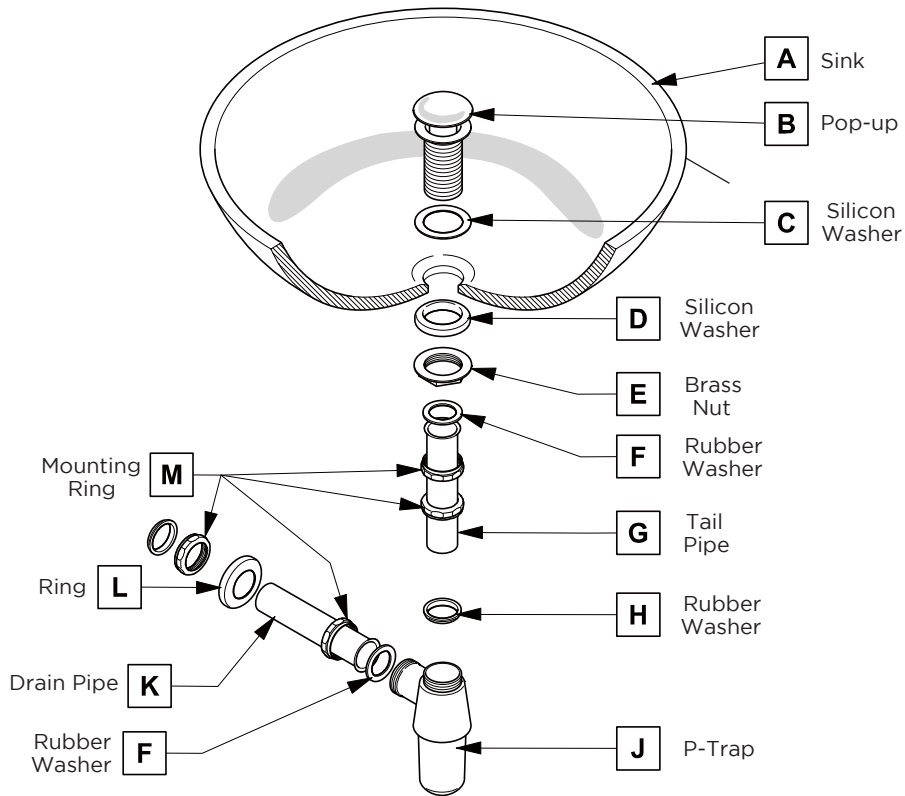
2 Install top panel





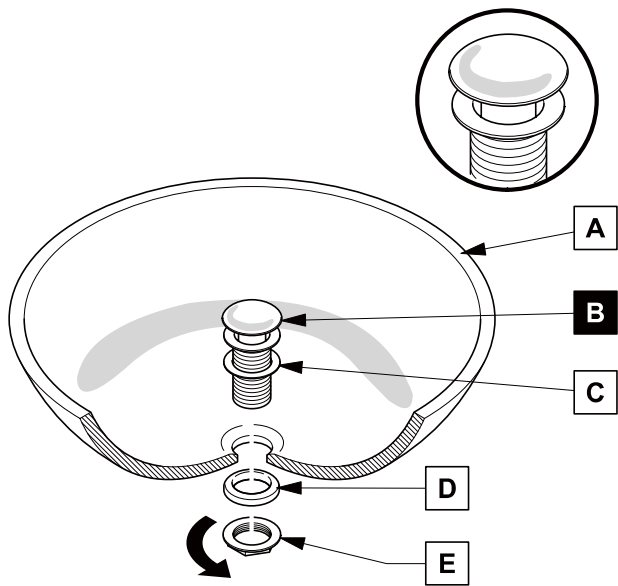
P-TRAP AND POP-UP INSTALLATION INSTRUCTIONS

Generic sink used for illustrations. Your sink may vary



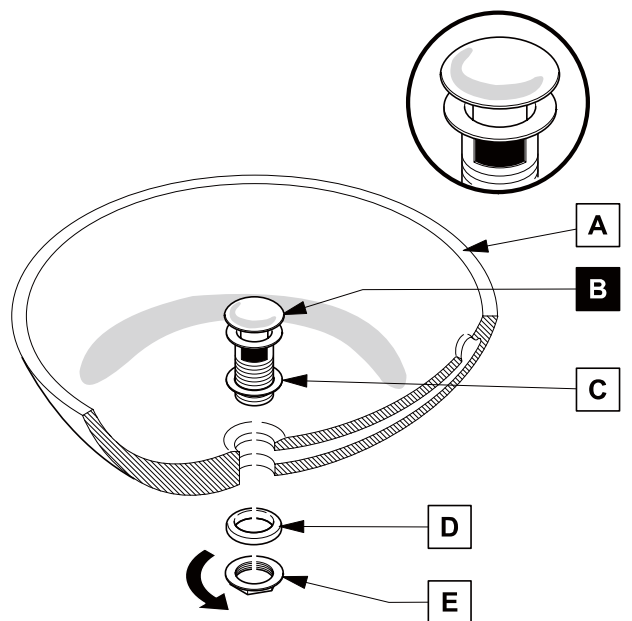
POP-UP INSTALLATION

FOR SINKS WITHOUT OVERFLOW



OR

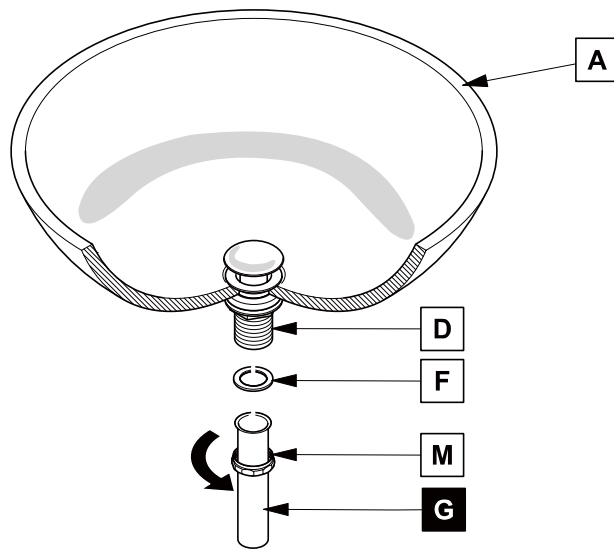
FOR SINKS WITH OVERFLOW



P-TRAP INSTALLATION

1

Install tail pipe (G)



2

Install p-trap (J)

