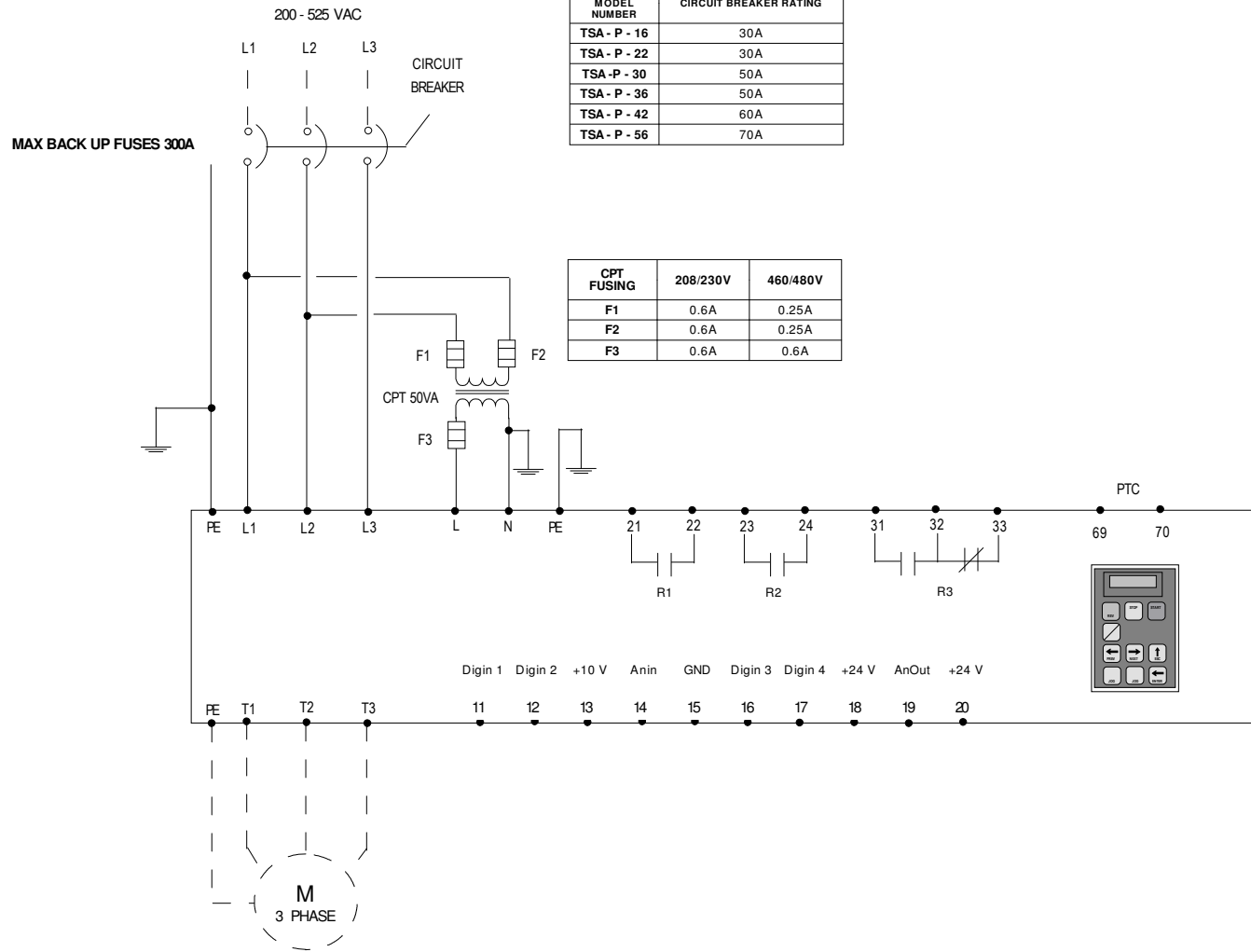


SUPPLY VOLTAGE



TSA - PLUS MODEL NUMBER	CIRCUIT BREAKER RATING
TSA - P - 16	30A
TSA - P - 22	30A
TSA - P - 30	50A
TSA - P - 36	50A
TSA - P - 42	60A
TSA - P - 56	70A

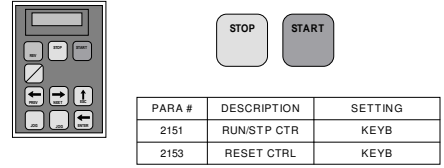
CPT FUSING	208/230V	460/480V
F1	0.6A	0.25A
F2	0.6A	0.25A
F3	0.6A	0.6A

TSA - PLUS MODEL NUMBER	HP RATING	MAX LOAD RATED AT (AMPS)	
	208/230 VAC	NORMAL	HEAVY
TSA - P - 16 - 2	5	16	10
TSA - P - 22 - 2	7.5	22	12
TSA - P - 30 - 2	10	30	18
TSA - P - 36 - 2	N/A	36	21
TSA - P - 42 - 2	15	42	25
TSA - P - 56 - 2	20	56	33

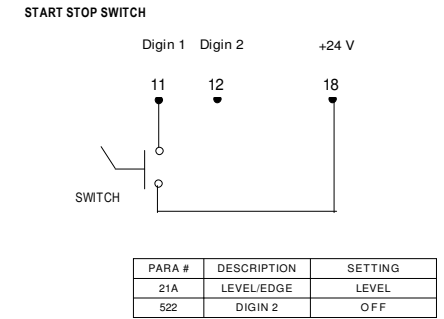
TSA - PLUS MODEL NUMBER	HP RATING	MAX LOAD RATED AT (AMPS)	
	460/480 VAC	NORMAL	HEAVY
TSA - P - 16 - 4	10	16	10
TSA - P - 22 - 4	15	22	12
TSA - P - 30 - 4	20	30	18
TSA - P - 36 - 4	25	36	21
TSA - P - 42 - 4	30	42	25
TSA - P - 56 - 4	40	56	33

Fittings or hubs connected to this enclosure must have the same environment rating as the enclosure.

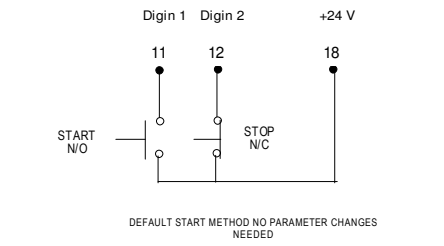
BASIC OPERATION START STOP FROM KEYPAD



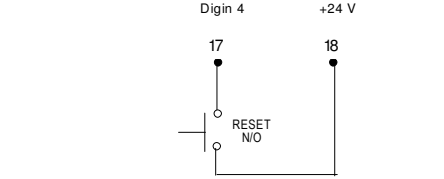
REMOTE OPERATION START STOP FROM TERMINALS



START STOP PUSH BUTTONS



REMOTE RESET



NOTE: SWITCHES AND PUSH BUTTONS CAN BE REPLACED WITH RELAY CONTACTS OR PLC OUTPUTS

RELAY OUTPUTS

RELAY	CONTACT RATING 3A MAX 250VAC	
	PARAM #	DEFAULT OPERATION
R1	551	OPERATION
R2	552	OFF
R3	553	TRIP

H2flow Controls Inc.

3545 Silica Rd, Sylvania OH 43560 **TSA - PLUS**