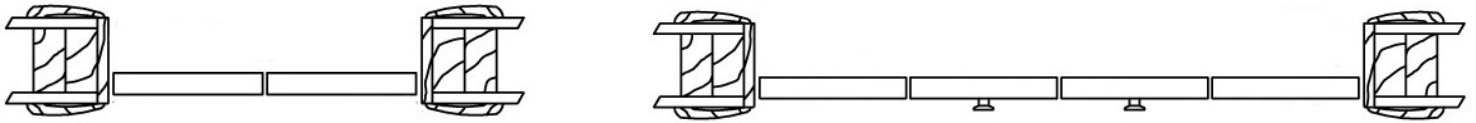


## Installation Instructions for Series 1 Heavy Duty Bifold Track and Hardware Kit



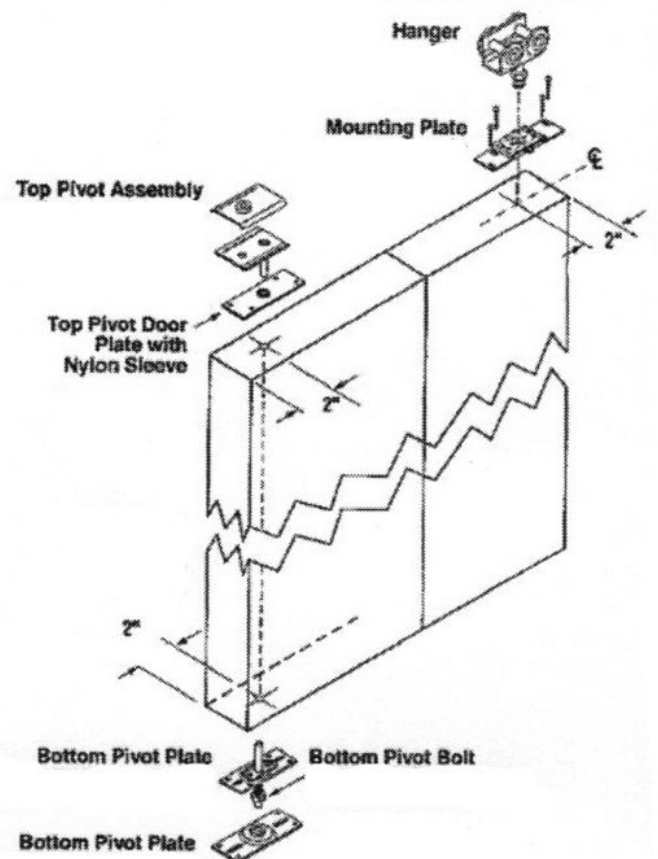
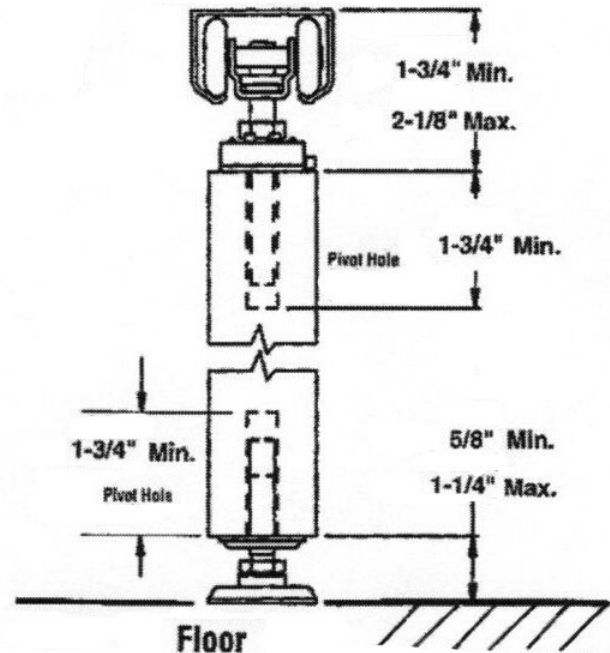
1) Determine the proper door height you can use in your opening, taking in consideration the dimensions for the hardware.

2) Cut the track down to fit your opening. Install the track onto the header. Recommended screws to use would be 1 1/4" pan head screws. Insert Roller(s) into track before installing the track.

3) Drill holes for the top and bottom pivots into the pivot door. Measure 2" from the edge of the door (on both top and bottom) and drill a hole 3/8" diameter and a minimum 1 3/4" deep.

Attach top pivot plate (with the nylon insert) to the top of the door and the bottom pivot plate to the bottom of the door, making sure to match the holes with the drill holes in the door. Insert bottom pivot bolt into bottom of door as far as it will go.

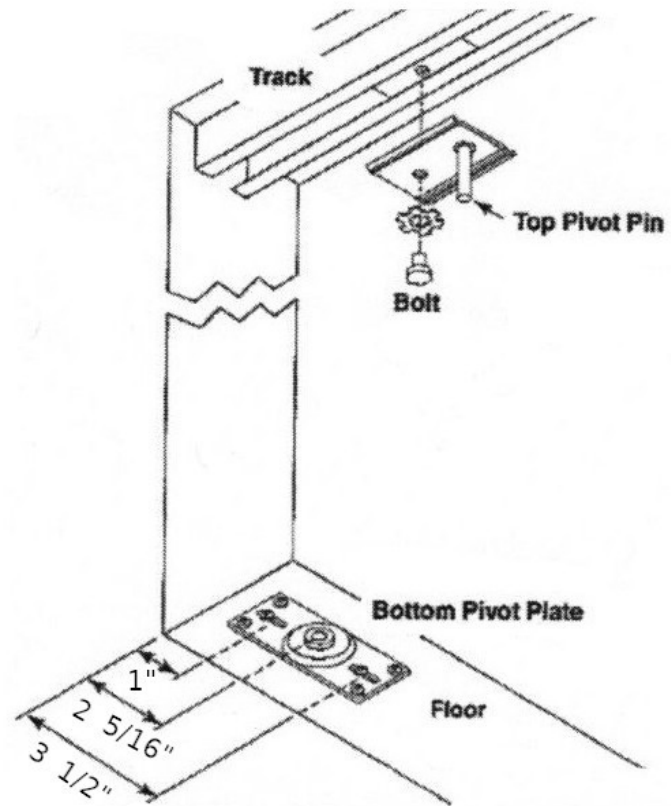
Attach roller plate to top of the other door section, with the center of the plate being 2" from edge of door.



4) Attach the hinges to the doors. It is recommended to stand each door on its edge and mark a line 7" from the top of the door and a line 11" up from the bottom of the door....these are your markings where to install the hinges on the edge of the door.

5) Attach the top pivot assembly to the track by inserting the top plate into the track, the plate with the stem underneath of that (on the outside of the track), and connecting them by putting the flywheel onto the screw bolt and tightening it.

Attach the bottom pivot plate to the floor by installing screws in the elongated holes **ONLY**. Other screws will be installed later, but this allows adjustments to the fit of the hardware.



6) Hang the doors by inserting the top pivot stem into the pivot plate and the roller stem into the roller plate and locking the roller stem into the roller plate. Insert the bottom pivot bolt into the center of the bottom pivot plate.

7) Attach the door aligner(s) onto the back of the lead door(s) if using a 4-door system.

8) Check to make sure the doors and the parts are working properly, just in case any clearance or adjustment issues need to be corrected. Tighten bolts where necessary to make sure it is working correctly.