

Blue SLIM ID

Bluetooth Low Energy beacon tag



BENEFITS

- Ultra slim format : 2.4 mm with adhesive face
- High transmission range
- 3 years autonomy
- Smart & secure programming by NFC
- Over The Air Programming (OTAP)
- Dynamic Advertising period
- BAF compatible depending on configuration



TECHNICAL SPECIFICATIONS

OPERATING MODE

Frequency	2.4 GHz - Bluetooth Low Energy 4.0/4.2
Output power Range	Up to +4 dBm (configurable) Up to 300 meters openfield (+4 dBm)
Transmission period	2 advertising periods can be configured (value between 0,1 and 86400 seconds). Transition from one to another according to configurable sensor threshold
Radio frame format	ELA ID (15 bytes identifier) iBeacon Eddystone <i>Other frame format available on request. Refer to the frames specifications for more information</i>
Parameters and configuration	Interface/protocol : NFC (Type 2)
Connected mode	Battery level

BATTERY

Power supply	3 VDC - Internal lithium battery
Battery life	ID (ELA) : 3 years, iBeacon (Apple): 2.6 years, Eddystone (Google): 2.6 years* <i>*Refer to the battery life curves for more information.</i>
Battery level	Low battery warning in advertising frames (<15%) Battery voltage in scan response frames (configurable)

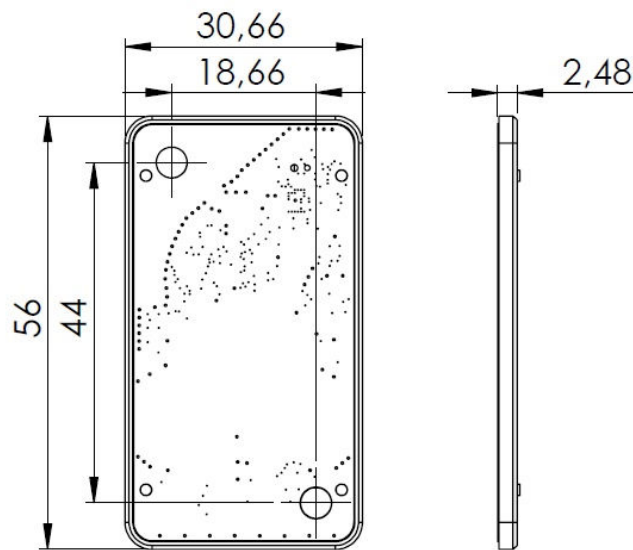
CERTIFICATIONS

Europe	CE / EN 300 330, EN 301 489, EN 62311, EN 62368
UK	UKCA
USA	FCC : FCC PART 15
Canada	ISED : RSS-247/ICES-003
RoHs/REACH	Yes

HOUSING

Dimensions	56 x 30.6 x 2.4 mm - 2 housing holes \varnothing 4mm, spaced by 43 mm
Weight	6g
Materials	High adhesive back side - ABS Material
Operating temperature	-20°C to +55°C

MECHANICAL DRAWINGS



Blue SLIM ID

AVAILABLE REFERENCES

Ref	Description
IDF03240-01A	Blue Slim ID
IDF03240-02A	Blue Slim ID Bluetooth advanced features ready version