


105 mm
105 mm
105 mm
105 mm
105 mm
105 mm
105 mm
105 mm

140 mm



Mobilepixels.us

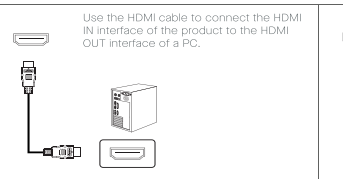
Connection

Cable connection

The bottom interface configuration at the back of the monitor varies with products.

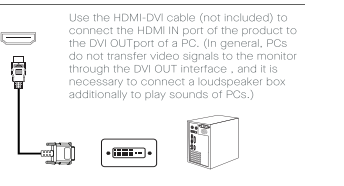
*Note: If the power cable or signal cable is damaged, you must replace it with special soft cables or special components purchased from the manufacturer or maintenance department.

HDMI interface



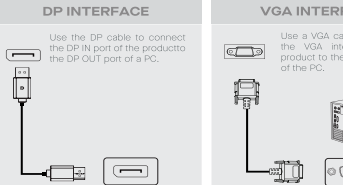
Use the HDMI cable to connect the HDMI interface of the product to the HDMI OUT interface of PC.

DVI interface



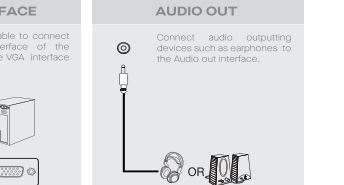
Use the HDMI DVI cable (not included) to connect the HDMI port of the product to the DVI OUT port of PC. In general, PC do not support video signals to be output through the DVI OUT interface, and it is necessary to connect a independent box additionally to play sounds of PC.

DP INTERFACE



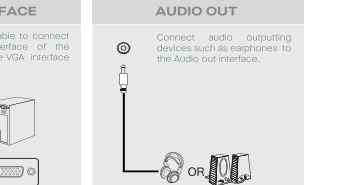
Use the DP cable to connect the DP OUT port of the product to the DP OUT port of PC.

VGA INTERFACE



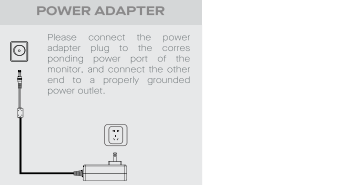
Use a VGA cable to connect the VGA interface of the product to the VGA interface of PC.

AUDIO OUT



Connect audio outputting device with headphones to the Audio out interface.


POWER ADAPTER


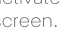













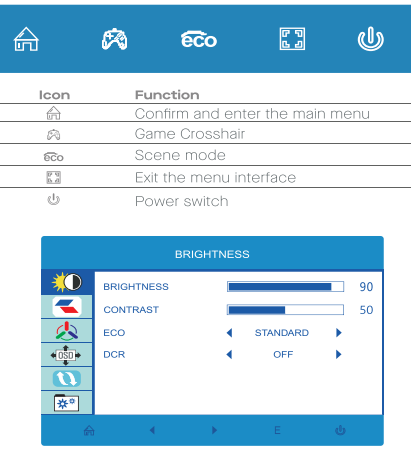
Please connect the power adapter plug to the same socket as the power cord. Do not connect the power cord to a poorly grounded power outlet.

Menu

OSD MENU Menu description

- The color and shape of the OSD menu of the actual monitor may be slightly different from them shown in the figure.
- Specifications of the OSD menu may change with improvements of functions without prior notice.
- The on-screen display (OSD) menu can be used to adjust the settings of the monitor and is displayed on the screen after turning on the monitor and pressing the  button.

- Press any one of the buttons (M, , , E) to activate the browser screen.
- Press  to enter the OSD screen.
- Press  or  to browse through the functions.
 - Select the desired function, then press  to enter the submenu.
 - Press  or  to browse the sub-menus, and then press  the key to confirm the selection of the desired function.
 - Press  or  to select an option, then press  to confirm the setting and exit the current menu.
 - Press  to exit the menu interface.

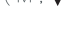





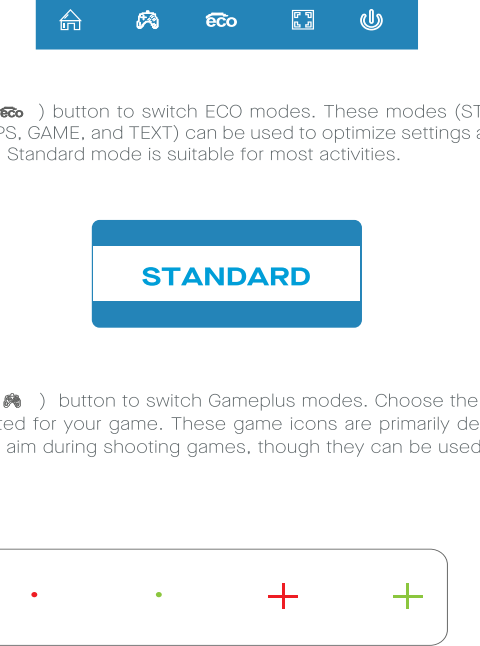
Menu

Menu	Sub Menu	Value Range
BRIGHTNESS	BRIGHTNESS	0-100
	CONTRAST	0-100
	ECO	STANDARD/GAME/RTS/FPS/MOVE/TEXT
IMAGE	DCR	ON/OFF
	H POSITION	0-100
	V POSITION	0-100
	CLOCK	0-100
	PHASE	0-100
COLOR TEMP.	ASPECT	WIDE/AUTO/4:3
	COLOR TEMP.	WARM/COOL/USER
	RED	0-100
OSD SETTING	GREEN	0-100
	BLUE	0-100
	LANGUAGE	ENGLISH / DANISH / 日本語 / 繁體中文 / 简体中文 / PORTUGUESE / POLISH / ITALIANO / NEDERLANDS / DUTSCH / FRANCAIS
RESET	OSD H. POS.	0-100
	OSD V. POS.	0-100
	OSD TIMEOUT	0-100
MISC	IMAGE AUTO ADJUST	ON/OFF
	COLOR AUTO ADJUST	ON/OFF
	RESET	HDMI/DP/DP
MISC	SIGNAL SOURCE	ON/OFF
	MUTE	ON/OFF
	VOLUME	0-100
MISC	LOW BLUE RAY	ON/OFF
	OVERDRIVE	ON/OFF
	Adaptive-Sync	ON/OFF

Modes


ECO Modes And Game Crosshair


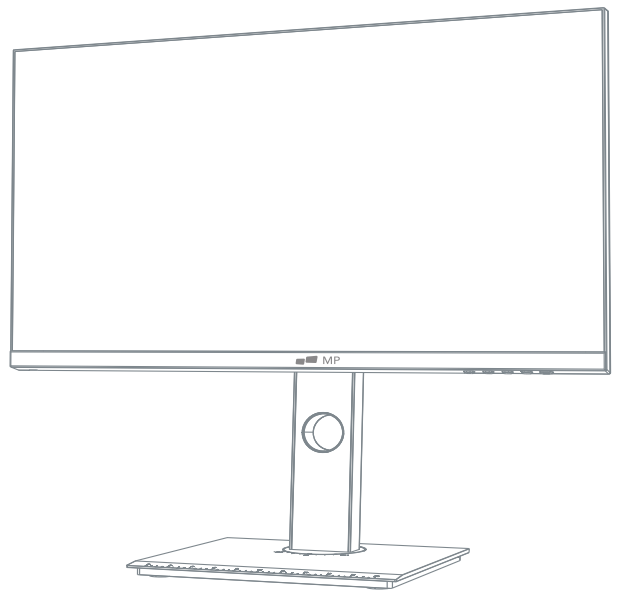
- Press any one of the buttons (M, , , E) to activate the browser screen.
- Press  button to switch ECO modes. These modes (STANDARD, MOVIE, RTS, FPS, GAME, and TEXT) can be used to optimize settings according to your activity. Standard mode is suitable for most activities.
- Press  button to switch Gameplus modes. Choose the crosshair icon best suited for your game. These game icons are primarily designed to optimize your aim during shooting games, though they can be used for other scenarios.



Basic Parameters

Product Name	23.8" FHD Monitor
Product model	116-1003P01
Screen Size	23.8"
Aspect Ratio	16:9
Viewing angle	178°(H) / 178°(V)
Pixel pitch	0.2745(H) x 0.2745 (V) mm
Contrast ratio	1000:1 (TYP)
Colors	16.7M
Resolution	1920 x 1080
Maximum refresh rate	75Hz
Power input	100-240V ~ 2.5A
Product Dimensions	Without base: 539.6 x 324.5 x 61 mm
With base	539.6 x 313.6 x 194.3 mm
Tilting angle	Forward tilting: 5° (± 1.5°); Backward tilting: 20° (± 1.5°)
Height range	120mm (±5mm)
Rotation angle	-45° / +45° (± 2°)
Vertical angle	-90° / +90° (± 2°)
Speaker	No
Environmental conditions	Action: Temperature: 0°C~40°C (32°F~104°F) Humidity: 10%-90% RH (non-condensing)
Storage	Temperature: -20°~60° (-4°~140°) Humidity: 5%-95% RH (non-condensing)



MP 23.8" FHD MONITOR

User's Manual
For Anywhere Work Takes You

11
12
13
14
15

105 mm
105 mm
105 mm
105 mm
105 mm
105 mm
105 mm
105 mm

140 mm

User's Manual

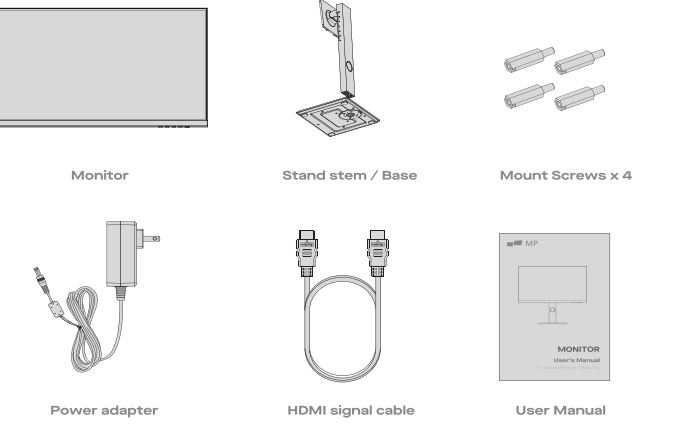
Before using this product, please read this User Manual carefully and keep it well

- Keep the monitor away from water sources or damp places, such as bath rooms, kitchens, basements and swimming pools.
- Make sure the monitor is placed on a flat surface. If the monitor falls down, it may cause human injury or device damage.
- Store and use the monitor in a cool, dry and well ventilated place, and keep it away from emission and heat sources.
- Do not cover or block the vent hole in the rear casing, and do not use the product on a bed, sofa, blanket or similar objects.
- The range of the supply voltage of the monitor is printed on the label on the rear casing. If it is impossible to determine the supply voltage, please consult the distributor or local power company.
- If the monitor will not be used for a long period, please cut off the power supply to avoid electric shock in rainy days and damage due to abnormal supply voltage.
- Please use a reliable earthing socket, do not overload the socket, or it may cause fire or electric shock.
- Do not put foreign matters into the monitor, or it may cause short circuits resulting fire or electric shock.
- Do not disassemble or repair this product by self to avoid electric shock. If faults occur, please contact the after-sales service directly.
- Do not pull or twist the power cable forcibly.
- There is a polarizer layer (not a protective film) on the surface of the screen. Do not peel it off, or the product may be damaged and the warranty will be invalid.

Product Introduction

Packing list

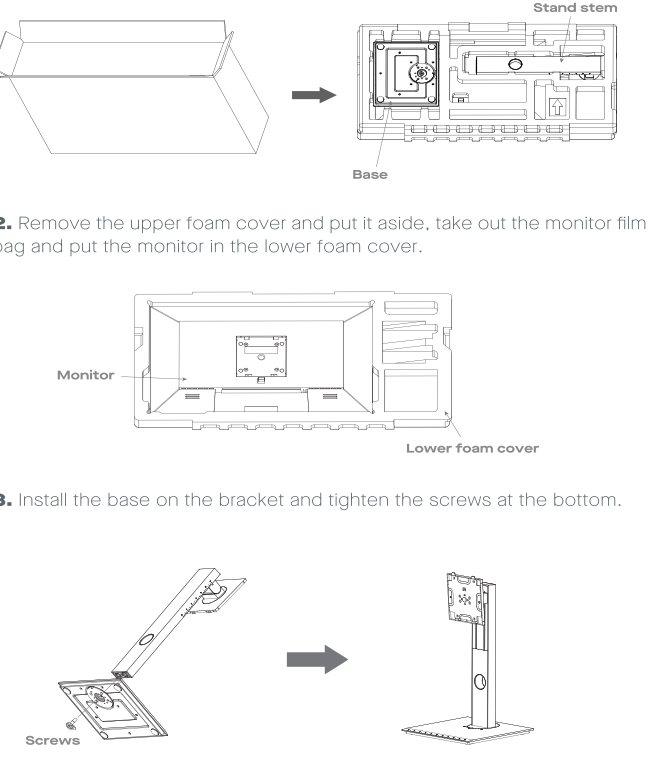
- Please check that the package of the monitor contains all parts. If any part is lost, please contact the distributor.
- The color and shape of parts may vary with models. Figures in this User Manual are for reference only.
- Wires supplied may vary with purchased products. Figures in this User Manual are for reference only.



Installation

Installation of base

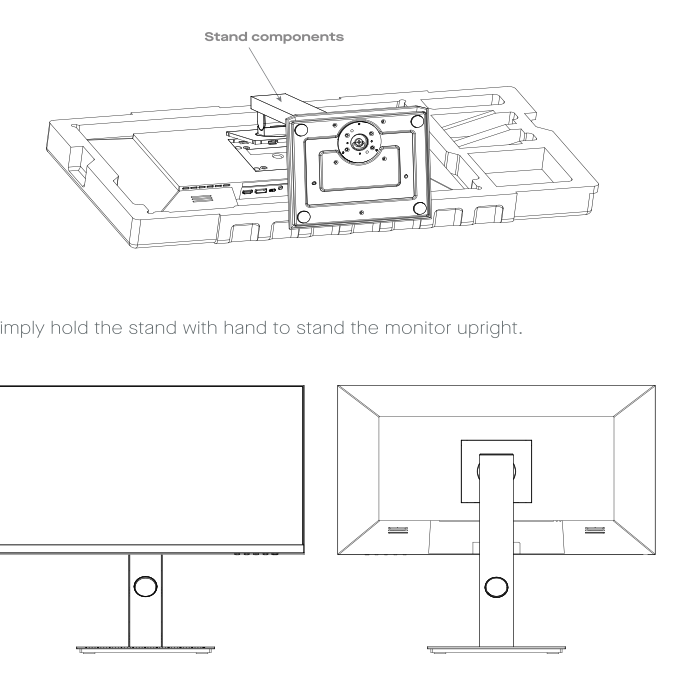
- Open the package to take out foams and put them on a flat tabletop.
- Remove the upper foam cover and put it aside, take out the monitor film bag and put the monitor in the lower foam cover.
- Install the base on the bracket and tighten the screws at the bottom.



Installation

Installation

- Align the base and stand components assembled in Step 3 to the slot of the machine and clip them. (Note: Slide the quick disassembly button up with fingers to take out the base and stand components)
- Simply hold the stand with hand to stand the monitor upright.

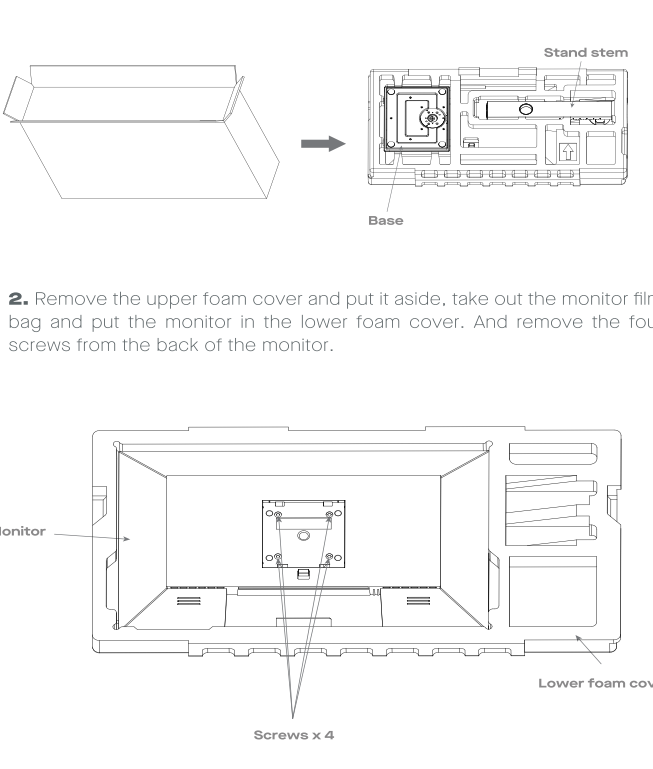


Note: During standing of the whole monitor, do not press the liquid crystal screen with hand to avoid damage to the screen.

Installation

Installation of mount

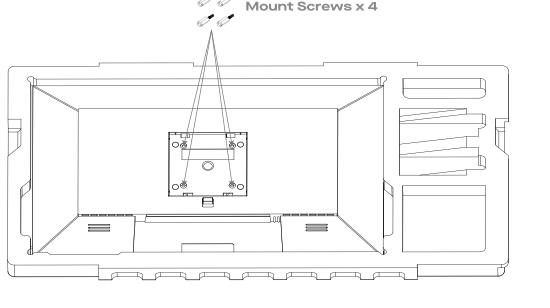
- Open the package to take out foams and put them on a flat tabletop.
- Remove the upper foam cover and put it aside, take out the monitor film bag and put the monitor in the lower foam cover.



Installation

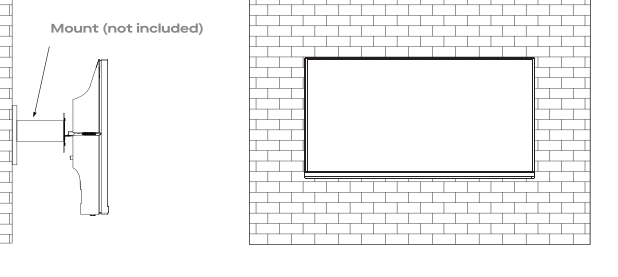
Installation

- Catch four studs for hexagon irons from the accessory bag to and lock them on the rear casing.



5. During padlocking of the monitor, do not pinch the screen with the hands to avoid damaging the screen. Install the mount to the mount stud by referring to the user manual of the mount (not included).

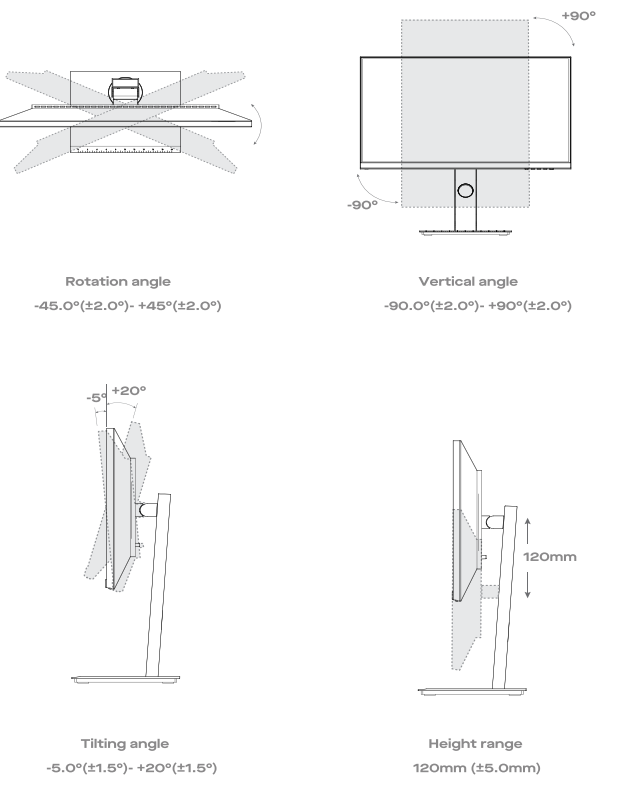
Tips: The mounting hole distance of the mount for the product is 75x75mm.



Note: To prevent the monitor on the mount from falling, please install it firmly and protect it fully. Do not place or hang any object on the mount, and the using height of the mount should be less than 2 meters.

Monitor Adjust

Adjusting the monitor



Rotation angle: -45.0°(±2.0°)~+45°(±2.0°)

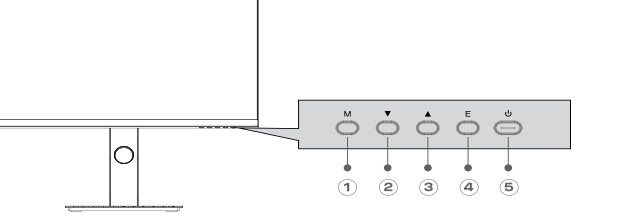
Vertical angle: -30.0°(±2.0°)~+90°(±2.0°)






Tilting angle: -5.0°(±1.5°)~+20°(±1.5°)

Height range: 120mm (±5.0mm)

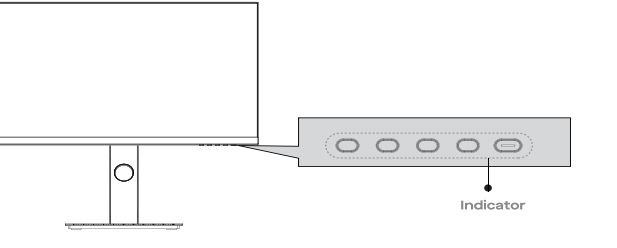
Buttons

Description of buttons



Button	Function
	Menu selection key. Go to the next level menu/enter the main menu interface.
	Move the key down. Move down in the menu/quickly adjust the game crosshairs.
	Move the key up. Move up/quickly adjust scene mode in the menu.
	Exit key. Returns to the previous menu.
	Power switch indicator key. Switch the display on and off.

Explanation of indicators



Indicator light: steady blue indicates that the power supply is normal and the display is running normally. In addition, a steady red light indicates that there is no video source, no horizontal or vertical signal or low voltage is detected. If no indicator is displayed, the server is off. Make sure your computer is turned on and all video cables are fully plugged in or connected.

03
04
05
06
07
08
09
10

注：说明书仅供参考，一切以实物为准！！

物料号码	108.007.xxxxx	厂外型号	116-1003P01
物料名称	说明书	品牌	Mobile Pixels
协力厂商		日期	2022-12-28
规格	140x210mm		
要求	120G双胶纸，彩印，风琴折页		
版本	V01	设计	唐喜阳
确认		核准	