

FEATURES

- 316 stainless steel ball & stem.
- Fiberglass reinforced polypropylene.
- Glass reinforced PTFE seats.
- All FKM (viton type) Body O-rings.
- 12-volt DC, (24-volt available).
- 150 P.S.I. maximum pressure @ 70°F.
- Internally fused/automatic reset.
- Weep hole between valve and actuator.

Electric Valves

3/4," 1," 1 1/4" Threaded

FEATURES

- 316 stainless steel ball & stem.
- Stainless steel hardware.
- Fiberglass reinforced polypropylene.
- Glass reinforced PTFE seats.
- FKM (viton type) or EPDM O-rings.
- 12-volt DC operated.
- 24-volt available in most models.
- 150 P.S.I. maximum pressure @ 70°F.
- Easily repairable.
- Open/closed indicator.



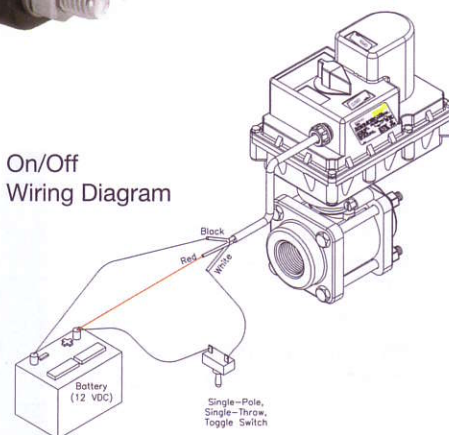
3/4 Second Response Time

3/4"-1 1/4" ON/OFF ELECTRIC VALVES						
PART NO	DESCRIPTION	MAX PSI	PIPE SIZE	OPENING THRU BALL	QTY	PRICE
EV075	3/4" Electric Valve	150	3/4"	1"	1	\$464.27
EV100FP	1" Full Port Electric Valve	150	1"	1"	1	\$464.27
EV125	1 1/4" Electric Valve	150	1 1/4"	1"	1	\$464.27

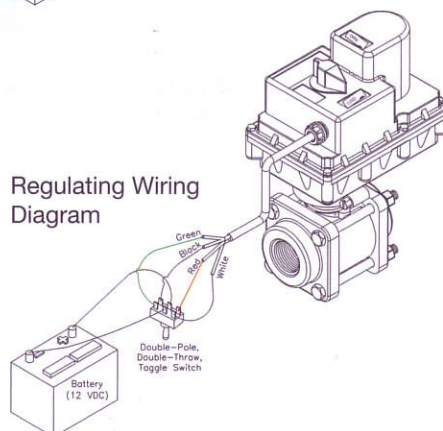
4 Second Response Time

3/4"-1 1/4" REGULATING ELECTRIC VALVES						
PART NO	DESCRIPTION	MAX PSI	PIPE SIZE	OPENING THRU BALL	QTY	PRICE
EVR075	3/4" Electric Valve	150	3/4"	1"	1	\$642.76
EVR100FP	1" Full Port Electric Valve	150	1"	1"	1	\$642.76
EVR125	1 1/4" Electric Valve	150	1 1/4"	1"	1	\$642.76

On/Off Wiring Diagram



Regulating Wiring Diagram



Note: 2 wire regulating and other response times available. Contact our Sales Team for part number and availability of valves.



ELECTRIC VALVES

Electric Valves 1½" 2" Threaded

FEATURES

- 316 stainless steel ball & stem.
- Stainless steel hardware.
- Fiberglass reinforced polypropylene.
- Glass reinforced PTFE seats.
- FKM (viton type) or EPDM O-rings.
- 12-volt DC operated.
- 24-volt available in most models.
- 150 P.S.I. maximum pressure @ 70°F.
- Easily repairable.
- Open/closed indicator.



ON/OFF Electric Valves - 1/4 Second Response Time

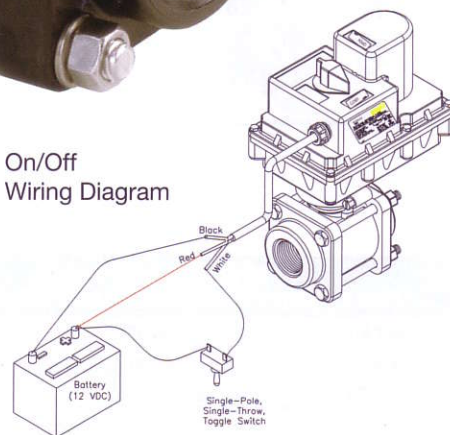
1½"-2" ON/OFF ELECTRIC VALVES						
PART NO	DESCRIPTION	MAX PSI	PIPE SIZE	OPENING THRU BALL	QTY	PRICE
EV150	1½" Electric Valve	150	1½"	1½"	1	\$680.57
EV200	2" Electric Valve	150	2"	1½"	1	\$680.57

REGULATING Electric Valves - 4 Second Response Time

1½"-2" REGULATING ELECTRIC VALVES						
PART NO	DESCRIPTION	MAX PSI	PIPE SIZE	OPENING THRU BALL	QTY	PRICE
EVR150	1½" Electric Valve	150	1½"	1½"	1	\$809.11
EVR200	2" Electric Valve	150	2"	1½"	1	\$809.11

Note: 2 wire regulating and other response times available. Contact our Sales Team for part number and availability of valves.

On/Off Wiring Diagram



Regulating Wiring Diagram

