

Poly Air Actuated Shutoff Valves

FEATURES

- Open position allows full, unobstructed flow, 50-60 GPM.
- Air pressure collapses the internal rubber sleeve to provide positive shut off.
- Standard EPDM rubber bladder seal, FKM (viton type) available.
- Female NPT Threads.
- Maximum air pressure 100 P.S.I.

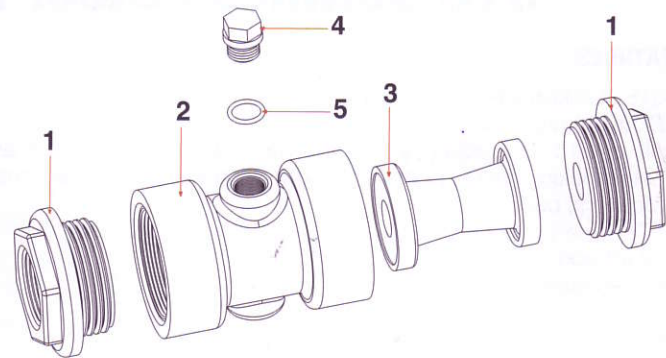


Attention: The polypropylene air actuated valve is normally an open valve, and has a maximum liquid pressure of 70 P.S.I.

The pressure differential (pressure it takes to close valve) of the valve is 15 to 20 P.S.I.

POLY PINCH VALVES						
PART NO	DESCRIPTION	GASKET	MAX PSI	PIPE SIZE	PRESSURE DIFFERENCE	QTY PRICE
PV075	3/4" x 3/4" Poly Pinch Valve	EPDM	70	3/4"	15 to 20 PSI	1 \$86.48
PV075V	3/4" Poly Pinch Valve	FKM (viton type)	70	3/4"	15 to 20 PSI	1 \$140.65
PV100	1" x 1" Poly Pinch Valve	EPDM	70	1"	15 to 20 PSI	1 \$86.48
PV100V	1" x 1" Poly Pinch Valve	FKM (viton type)	70	1"	15 to 20 PSI	1 \$140.65
PV100-075	1" x 3/4" Poly Pinch Valve	EPDM	70	1" x 3/4"	15 to 20 PSI	1 \$86.48
PV100-075V	1" x 3/4" Poly Pinch Valve	FKM (viton type)	70	1" x 3/4"	15 to 20 PSI	1 \$140.65
PV100-075B	1" x 3/4" Poly Pinch Valve Female Coupler	EPDM	70	1" x 3/4"	15 to 20 PSI	1 \$101.36
PV100-075BV	1" x 3/4" Female Coupler Poly Pinch Valve	FKM (viton type)	70	1" x 3/4"	15 to 20 PSI	1 \$148.24

REPLACEMENT PARTS PV075 - PV100 - PV100-075 - PV100-075B - PV100V - PV100-075V - PV100-075BV				
ITEM	PART NO	DESCRIPTION	QTY	PRICE
2	PV10254	Body	1	\$41.18
4	12723	1/4" Drain Plug	1	\$1.93
5	12724	EPDM O-Ring for Drain Plug	1	\$0.42



REPLACEMENT PARTS PV075				
ITEM	PART NO	DESCRIPTION	QTY	PRICE
1	PV07257	3/4" End Plate	2	\$13.49
3	PV10265	EPDM Rubber Bladder Seal	1	\$15.81

REPLACEMENT PARTS PV075V				
ITEM	PART NO	DESCRIPTION	QTY	PRICE
1	PV07257	3/4" End Plate	2	\$13.49
3	PV10265V	FKM (viton type) Rubber Bladder Seal	1	\$49.93

REPLACEMENT PARTS PV100 - PV100-075				
ITEM	PART NO	DESCRIPTION	QTY	PRICE
1	PV07256	1" End Plate	2	\$13.49
1	PV07257	3/4" End Plate (1 only)	1	\$13.49
3	PV10265	EPDM Rubber Bladder Seal	1	\$15.81

REPLACEMENT PARTS PV100V - PV100-075V				
ITEM	PART NO	DESCRIPTION	QTY	PRICE
1	PV07256	1" End Plate	2	\$13.49
1	PV07257	3/4" End Plate (1 only)	1	\$13.49
3	PV10265V	FKM (viton type) Rubber Bladder Seal	1	\$49.93

REPLACEMENT PARTS PV100-075B				
ITEM	PART NO	DESCRIPTION	QTY	PRICE
1	PV07256	1" End Plate	2	\$13.49
1	PV07257B	3/4" Pinch Valve Female Coupler End	1	\$32.82
3	PV10265	EPDM Rubber Bladder Seal	1	\$15.81

REPLACEMENT PARTS PV100-075BV				
ITEM	PART NO	DESCRIPTION	QTY	PRICE
1	PV07256	1" End Plate	1	\$13.49
1	PV07257B	3/4" Pinch Valve Female Coupler End	1	\$32.82
3	PV10265V	FKM (viton type) Rubber Bladder Seal	1	\$49.93