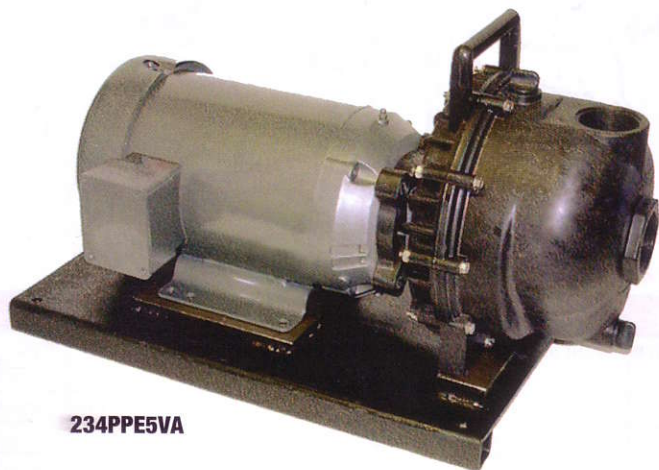
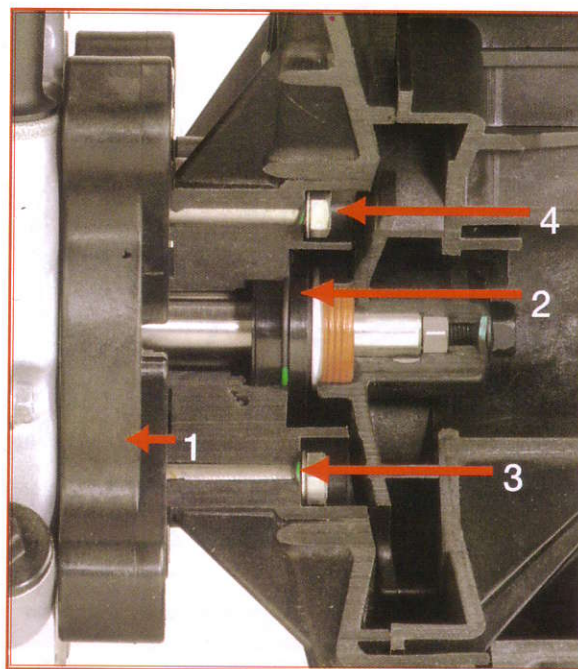


2" Polypropylene Self-Priming Chemical Service Pump

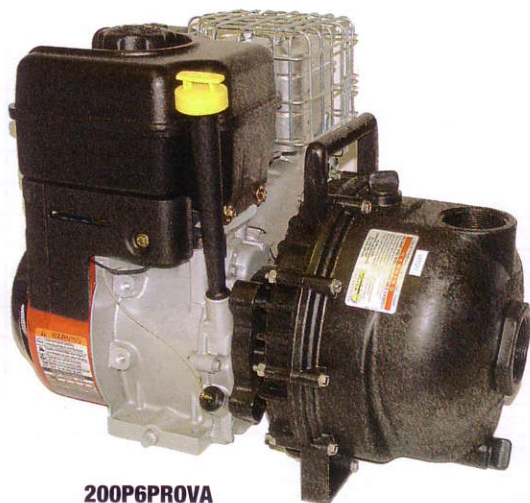
FEATURES

1. Additional drive unit protection with added 1" spacer for ultimate protection.
2. Special non-metallic mechanical seal designed for better chemical resistance.
3. All elastomers are FKM (viton type).
4. All internal fasteners are TFE coated stainless steel.
5. The Banjo "Super Slinger" included for even more drive unit protection (not shown).



234PPE5VA

No warranty on chemical service pumps.



200P6PROVA

2" POLY CHEMICAL SERVICE PUMPS

PART NO	DESCRIPTION	HP	QTY	PRICE
200PH5VA	2" Poly Chemical Service Pump w/5.5 HP Honda® Engine	5.5	1	\$2,373.06
200P6PROVA	2" Poly Chemical Service Pump w/6.5 HP Briggs & Stratton® Engine Pro Series	6.5	1	\$1,548.17
234PPE5VA	2" Poly Chemical Service Pump w/5.0 HP Three Phase Electric Motor	5.0	1	\$3,287.61

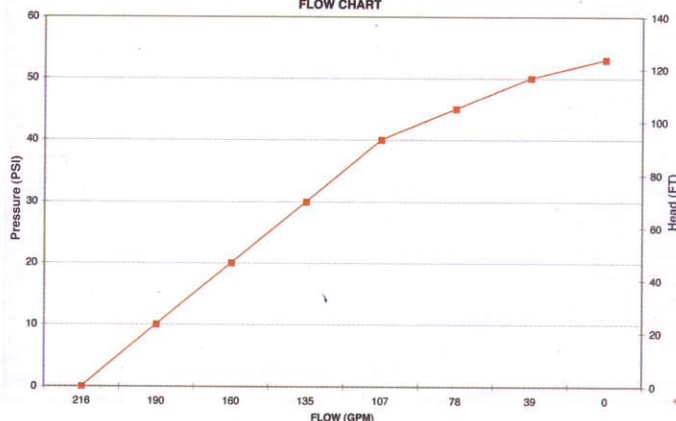
2" POLY CHEMICAL SERVICE BEARING PEDESTALS

PART NO	DESCRIPTION	HP	QTY	PRICE
200PB-VA	2" Poly Chemical Service Bearing Pedstal w/ 3/4" Shaft & 3 Vane Impeller	N/A	1	\$1,072.78
205PB-VA	2" Poly Chemical Service Bearing Pedstal w/ 3/4" Shaft & 5 Vane Impeller	N/A	1	\$1,072.78

CAUTION-WARNING: Please do not run pump dry, restrict or reduce port sizes, or dead head pump. This could cause component failure to pump.

DO NOT USE WITH FLAMMABLE LIQUIDS.

FLOW CHART



PUMPS