

# 3-Way Manifold Ball Valves

## FEATURES

- Stainless steel bolts.
- Precision molded in polypropylene. Polypropylene is reinforced with fiberglass for additional strength.
- Self-aligning ball moves freely against the PTFE seats for smooth operation.
- The valve opens and closes with very little pressure on the handle.
- Ball is diamond turned, after molding, to make it spherically perfect, which provides precise contact between ball and seats.
- PTFE self-lubricating stem bushings and seats cannot stick or bind.
- Maximum operating pressure 100 P.S.I.
- FKM (viton type) seals.



MV100BL

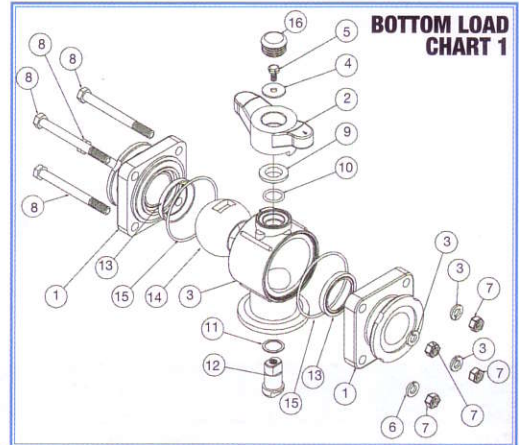
MV200BL

MV220BL

### 4 BOLT BOTTOM LOAD MANIFOLD VALVES

PART NO	DESCRIPTION	MAX PSI	FLANGE SIZE	OPENING THRU BALL	HANDLE TYPE	QTY	PRICE
MV100BL	1" Manifold Flanged Valve	100	1"	1"	T	18/box	\$57.29
MV200BL	2" Manifold Flanged Valve	100	2"	1½"	T	12/box	\$74.09
MV220BL	2" Full Port Manifold Flanged Valve	100	2"	2"	Straight	8/box	\$117.30

**BOTTOM LOAD:** Directional flow right or left. Valve can be turned off to stop flow.



MV100SL

MV200SL

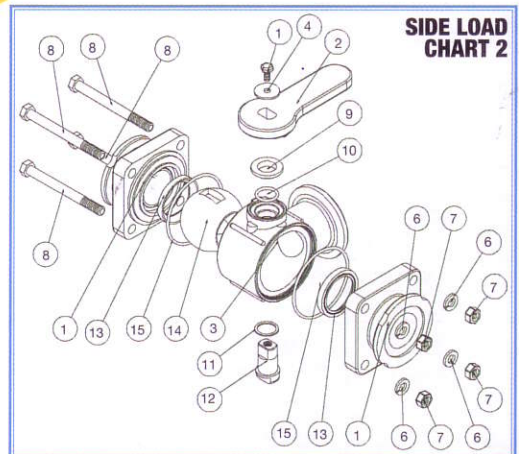
MV220SL

### 4 BOLT SIDE LOAD MANIFOLD VALVES

PART NO	DESCRIPTION	MAX PSI	FLANGE SIZE	OPENING THRU BALL	HANDLE TYPE	QTY	PRICE
MV100SL	1" Manifold Flanged Valve	100	1"	1"	T	18/box	\$57.29
MV200SL	2" Manifold Flanged Valve	100	2"	1½"	Straight	10/box	\$74.09
MV220SL	2" Full Port Manifold Flanged Valve	100	2"	2"	Straight	8/box	\$117.30
MVT220SL*	2" Full Port Manifold Flanged Valve	100	2"	2"	T	8/box	\$117.30

\* Non-Stock Item

**SIDE LOAD:** Directional flow right or left. Valve cannot be turned off.



Accessories for valves on page 12. If not listed, no optional handle is available.



MV300BL

### 6 BOLT BOTTOM LOAD MANIFOLD VALVES

PART NO	DESCRIPTION	MAX PSI	FLANGE SIZE	OPENING THRU BALL	HANDLE TYPE	QTY	PRICE
MV300BL	3" Manifold Flanged Valve	100	3"	3"	Straight	6/box	\$314.45

### REPLACEMENT PARTS MV300BL

ITEM	PART NO	DESCRIPTION	QTY	PRICE
1	MV35278	3" Manifold End Plate	2	\$50.06
2	V25353B	Straight Handle	1	\$13.18
3	MV35254BL	3" Full Port Manifold Body	1	\$58.40
4	V25121	Handle Washer	1	\$0.56
5	V25020	Handle Bolt	1	\$1.72
6	V20018	Lock Washer	4	\$0.42
7	V20019	3/8" 16 SS Hex Nut	4	\$1.03
8	V25017	Body Bolt	4	\$2.36
9	V25160	Upper Stem Bushing	1	\$4.16
10	V25163	FKM (viton type) Stem O-Ring	1	\$3.61
11	V25060	Thrust Bushing	1	\$2.11
12	V25151B	Stem	1	\$13.20
13	V35258A	Seat	2	\$20.50
14	V35255BL	Bottom Load Ball	1	\$15.42
15	V35264BL	Body O-Ring	2	\$9.88