

# Manifold Bolted Ball Valves 4 and 6 Bolt Valves

## FEATURES

- FKM (viton type) seals.
- PTFE self-lubricating stem bushings and seats cannot stick or bind.
- Precision molded in polypropylene. Polypropylene is reinforced with fiberglass for additional strength.
- Self-aligning ball moves freely against the PTFE seats for smooth operation. The valve opens and closes with very little pressure on the handle.
- Ball is diamond turned, after molding, to make it spherically perfect, which provides precise contact between ball and seats.



## 4 & 6 BOLT VALVES

PART NO	DESCRIPTION	MAX PSI	PIPE SIZE	OPENING THRU BALL	QTY	PRICE
MV100CF	1" Flange Ball Valve	150	1"	1"	24/box	\$43.75
MV200CF	2" Flange Ball Valve	150	2"	1½"	12/box	\$61.91
MV220CF	2" Full Port Flange Ball Valve	150	2"	2"	8/box	\$82.52
MV225CF	2" Full Port Flange 5 Way Valve	150	2"	2"	1	\$391.34
MV300	3" Standard Flange Ball Valve	100	3"	2½"	6/box	\$135.47
MV300CF	3" Full Port Flange Ball Valve	100	3"	3"	6/box	\$196.35

\*Valve repair kits contain items marked with asterisk  
 1 Ball    2 Body O-Rings    1 Thrust Washer  
 2 Ball Seats    1 Upper Stem Bushing    1 Stem O-Ring

CHART 1

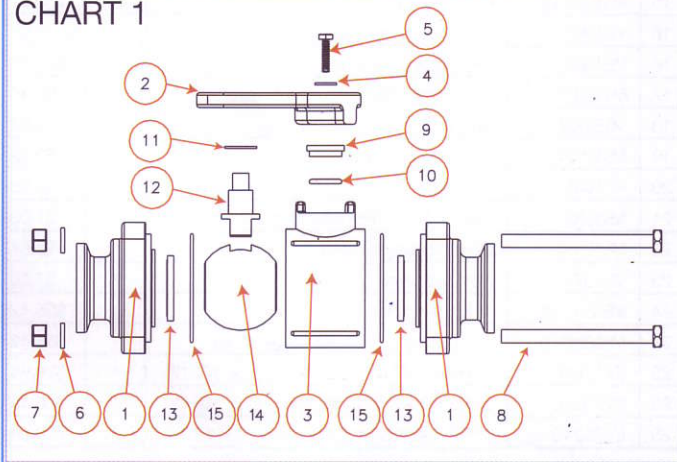


CHART 2

