

1"-3" Electric Manifold Valves

FEATURES

- 316 stainless steel ball & stem.
- Fiberglass reinforced polypropylene.
- Glass reinforced PTFE seats.
- FKM (viton type) or EPDM O-rings.
- 12-volt DC operated.
- 150 P.S.I. maximum pressure.
- Internally fused/automatic reset.
- Open/closed indicator.



Don't forget the manifold connections on pages 72-75.

3/4 to 1 1/4 SECOND RESPONSE TIME

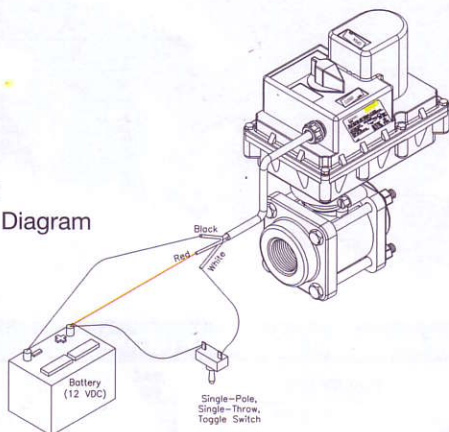
1", 2" & 3" ON/OFF ELECTRIC MANIFOLD VALVES						
PART NO	DESCRIPTION	MAX PSI	PIPE SIZE	OPENING THRU BALL	QTY	PRICE
MEV100CF	1" Full Port Electric Valve	150	1"	1"	1	\$464.27
MEV200CF	2" Standard Port Electric Valve	150	2"	1 1/2"	1	\$680.57
MEV220CF	2" Full Port Electric Valve	150	2"	2"	1	\$718.37
MEV300CF	3" Full Port Electric Valve	150	3"	3"	1	\$1,958.86

4 SECOND RESPONSE TIME

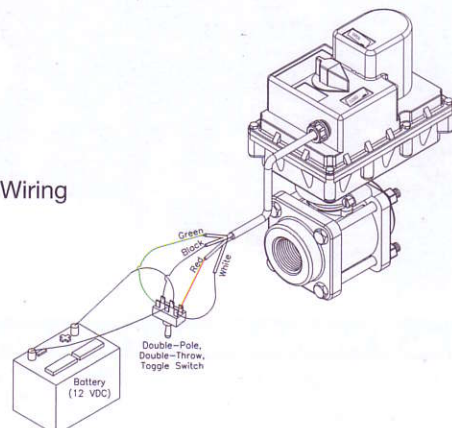
1" & 2" REGULATING ELECTRIC MANIFOLD VALVES						
PART NO	DESCRIPTION	MAX PSI	PIPE SIZE	OPENING THRU BALL	QTY	PRICE
MEVR100CF	1" Full Port Electric Valve	150	1"	1"	1	\$642.76
MEVR200CF	2" Standard Port Electric Valve	150	2"	1 1/2"	1	\$809.11
MEVR220CF	2" Full Port Electric Valve	150	2"	2"	1	\$854.47

Note: 2 wire regulating and other response times available. Contact our Sales Team for part number and availability of valves.

On/Off Wiring Diagram



Regulating Wiring Diagram



3-Way Side Load Electric Manifold Valves 1", 1½", & 2" Full Port

FEATURES

- 316 stainless steel ball & stem.
- Fiberglass reinforced polypropylene.
- Glass reinforced PTFE seats.
- FKM (viton type) or EPDM O-rings.
- 12-volt DC operated.
- 150 P.S.I. maximum pressure.
- Internally fused/automatic reset.
- Open/closed indicator.

Don't forget the manifold connections on pages 72-75.



ON/OFF ELECTRIC VALVES ¾ to 1¼ RESPONSE TIME

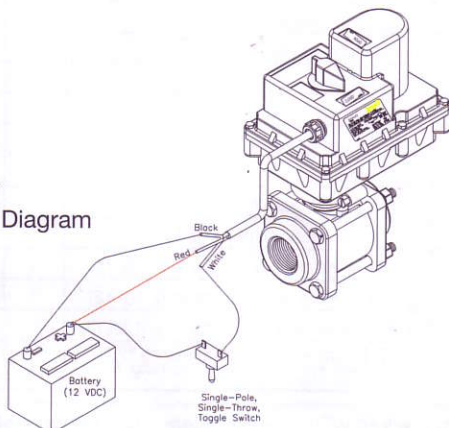
1" & 2" ON/OFF SIDE LOAD ELECTRIC MANIFOLD VALVES						
PART NO	DESCRIPTION	MAX PSI	PIPE SIZE	OPENING THRU BALL	QTY	PRICE
MEV100SLCF	1" Full Port Electric Valve	150	1"	1"	1	\$521.75
MEV200SLCF	2" Standard Port Electric Valve	150	2"	1½"	1	\$809.11
MEV220SLCF	2" Full Port Electric Valve	150	2"	2"	1	\$809.11

REGULATING ELECTRIC VALVES - 4 SECOND RESPONSE TIME

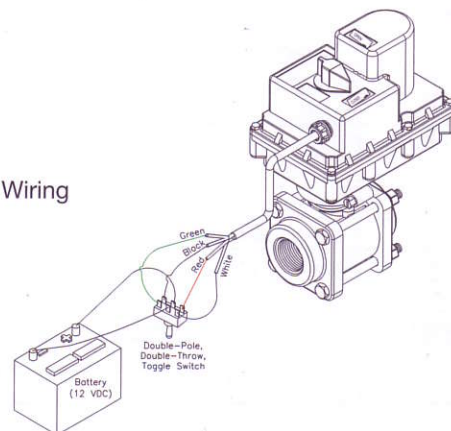
1" & 2" REGULATING SIDE LOAD ELECTRIC MANIFOLD VALVES						
PART NO	DESCRIPTION	MAX PSI	PIPE SIZE	OPENING THRU BALL	QTY	PRICE
MEVR100SLCF	1" Full Port Electric Valve	150	1"	1"	1	\$650.31
MEVR200SLCF	2" Standard Port Electric Valve	150	2"	1½"	1	\$785.53
MEVR220SLCF	2" Full Port Electric Valve	150	2"	2"	1	\$945.19

SIDE LOAD:
Directional Flow left or right. Valve flow cannot be turned off.

On/Off
Wiring Diagram



Regulating Wiring
Diagram



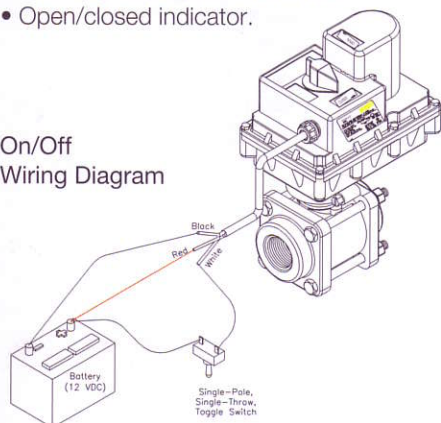
MANIFOLD SYSTEMS

3-Way Bottom Load Electric Manifold Valves 1", 1½", & 2" Full Port

FEATURES

- 316 stainless steel ball & stem.
- Fiberglass reinforced polypropylene.
- Glass reinforced PTFE seats.
- FKM (viton type) or EPDM O-rings.
- 12-volt DC operated.
- 150 P.S.I. maximum pressure.
- Internally fused/automatic reset.
- Open/closed indicator.

On/Off
Wiring Diagram



ON/OFF ELECTRIC VALVES ¾ to 1¼ Response time

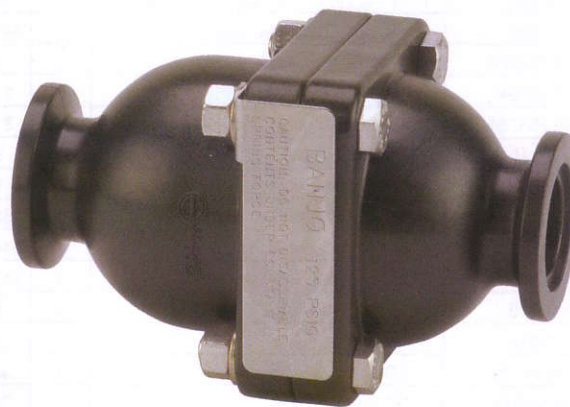
1" & 2" ON/OFF BOTTOM LOAD ELECTRIC MANIFOLD VALVES						
PART NO	DESCRIPTION	MAX PSI	PIPE SIZE	OPENING THRU BALL	QTY	PRICE
MEV100BLCF	1" Full Port Electric Valve	150	1"	1"	1	\$521.75
MEV200BLCF	2" Standard Port Electric Valve	150	2"	1½"	1	\$809.11
MEV220BLCF	2" Full Port Electric Valve	150	2"	2"	1	\$809.11

NOTE: NO Regulating Valve available for 3-way bottom load electric manifold valves.

Manifold Pressure Spike Valves

FEATURES

- FKM (viton type) seals.
- Precision molded in polypropylene. Polypropylene is reinforced with fiberglass for additional strength.
- Preset pressure spring.
- Poppet is diamond turned, after molding, to make it spherically perfect, which provides precise seal.
- 360° Orientation.
- Quick and easy assembly.



MANIFOLD PRESSURE SPIKE VALVES				
PART NO	DESCRIPTION	PRESSURE SPIKE	QTY	PRICE
MPRV100-050	1" Pressue Spike Valve	50 PSI	1	\$87.55
MPRV100-075	1" Pressue Spike Valve	75 PSI	1	\$87.55
MPRV100-100	1" Pressue Spike Valve	100 PSI	1	\$80.70
MPRV100-125	1" Pressue Spike Valve	125 PSI	1	\$80.70
MPRV100-150	1" Pressue Spike Valve	150 PSI	1	\$80.70