

**NEW  
Valves!**

# 2014 NEW

## Micro Valves

### FEATURES

- 90° rotating handle.
- Precision molded polypropylene is reinforced with fiberglass for additional strength.
- Standard FKM (viton type) seats and O-rings.
- Maximum operating pressure 300 P.S.I.



**LV050SLV**



**LVHB075MTV**

POLY MICRO VALVES						
PART NO	DESCRIPTION	MAX PSI	THREAD SIZE	OPENING THRU BALL	QTY	PRICE
LV050SLV	1/2" Side Load Micro Valve	300	1/2"	1/2"	1	\$21.47
LVHB075MTV	3/4" Hose Barb x 3/4" Male NPT Micro Valve	300	3/4"	1/2"	1	\$17.52

## Manifold Micro Valve

### FEATURES

- 90° rotating handle.
- Precision molded polypropylene is reinforced with fiberglass for additional strength.
- Standard FKM (viton type) seats and O-rings.
- Maximum operating pressure 300 P.S.I.



**MLV100V**

POLY MANIFOLD MICRO VALVES						
PART NO	DESCRIPTION	MAX PSI	FLANGE SIZE	OPENING THRU BALL	QTY	PRICE
MLV100V	1" Manifold Micro Valve	300	1"	1/2"	1	\$17.52

## 2" Full Port 316 SS Stubby Valves

### FEATURES

- 100% PTFE ball seats.
- Unique compact design.
- All TFE seals. No elastomers.
- 1000 P.S.I. maximum



2" FULL PORT STAINLESS STEEL STUBBY VALVE						
PART NO	DESCRIPTION	MAX PSI	PIPE SIZE	OPENING THRU BALL	QTY	PRICE
VSFMT220SS	2" FP Male Adapter x 2" NPT Stainless Steel Stubby Valve	1000	2"	2"	1	\$334.69

## Manifold Coupler

### FEATURES

- Positive seals.
- Quick & easy assembly.
- Easy On/Off hose connections.
- 360° Orientation.
- Pressure to 125 P.S.I. at 70°F.



FLANGE X FEMALE QDC			
PART NO	DESCRIPTION	QTY	PRICE
M303D	3" Full Port Flange x 3" Female Coupler	1	\$43.06

# PRODUCTS

## Sweeps

### FEATURES

- Direct replacement for standard 90° flanged couplings.



M100SWP90



M100SWPG90



M100BRBSWP90



M100BRBSWPG90



M100125BRBSWP90



M300BRBSWP90

SWEEPS			
PART NO	DESCRIPTION	QTY	PRICE
M100SWP90	1" Flange x Flange Sweep	1	\$12.75
M100BRBSWP90	1" Flange x Hose Shank Sweep	1	\$13.88
M100125BRBSWP90	1" Flange x 1 1/4" Hose Shank Sweep	1	\$15.70
M300BRBSWP90	3" Flange x Hose Shank Sweep	1	\$67.56

SWEEPS W/GAUGE PORT			
PART NO	DESCRIPTION	QTY	PRICE
M100SWPG90	1" Flange x Flange Sweep with 1/4" gauge port	1	\$15.88
M100BRBSWPG90	1" Full Port Flange x 1" Hose Shank Sweep w/ 1/4" gauge port	1	\$15.88



# 2014 NEW

## FEATURES

- Lightweight.
- Unrestricted 3" flow.
- Minimal fluid spillage.
- Easy to use.
- Economical.
- Reduces risk of exposure.
- Wide range of chemical resistance.
- Cannot be uncoupled in open position.
- Spillage Data: 3" = 25 ml
- Maximum operating pressure 100 P.S.I. @ 70°F or 75 P.S.I. @ 150°F.

## APPLICATIONS

- Agriculture
- Industrial
- Pharmaceutical
- Chemical processing



Male & Female shown coupled together.  
Male & Female sold separately as shown below.

## PREVENTS ACCIDENTAL SPILLS AND EXPOSURE!

3" FULL PORT POLY DRY-MATE						
PART NO	DESCRIPTION	MAX PSI	PIPE SIZE	OPENING THRU BALL	QTY	PRICE
DM300AFP	3" FP Male x 3" Female NPT Threads w/ FKM(viton type) Seals	100	3"	3"	1	\$425.00
DM300DFP	3" FP Female x 3" Female NPT Threads w/ FKM(viton type) Seals	100	3"	3"	1	\$475.00

**User friendly:** Operating a Banjo Dry-Mate is simple. The handles interlock making it easy to identify which handle opens or closes first. No guessing involved! The two Dry-Mate halves couple together with cam levers for positive engagement.

**Design:** The Banjo Dry-Mate is designed for safe and easy spill free connections. The "double ball" design allows maximum flow, while the cam lever style of connection is the most recognized fluid connector.

Female Dry-Mate  
DM300DFP



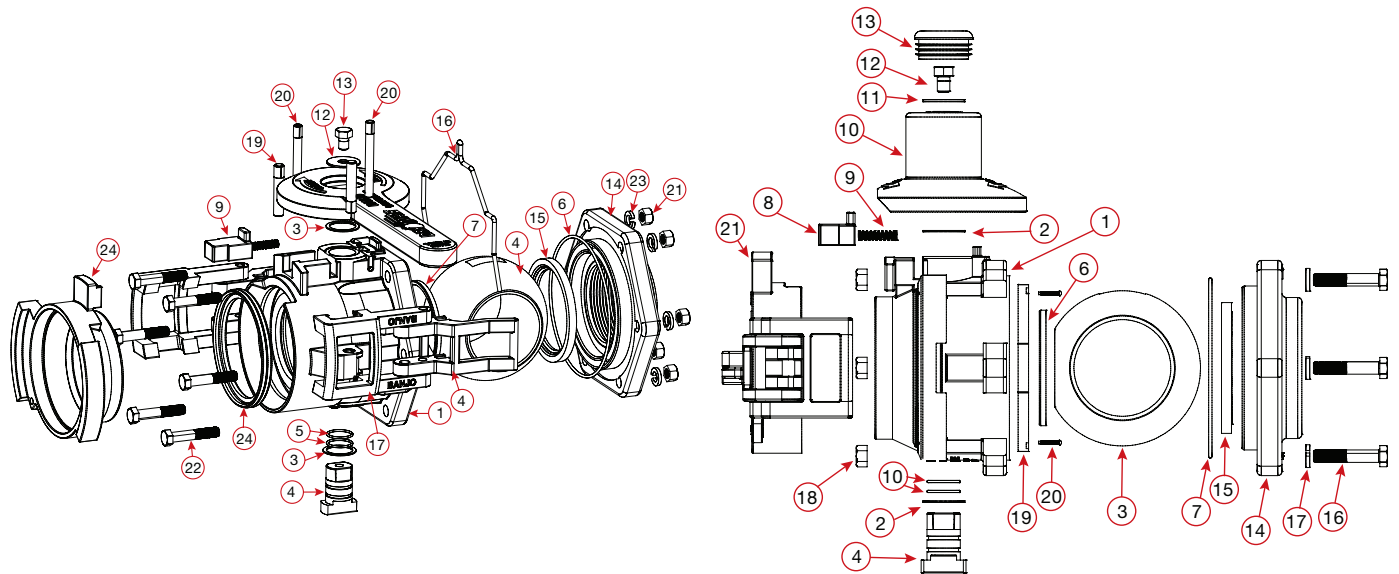
Male Dry-Mate  
DM300AFP



Male & Female Sold Separately



# PRODUCTS



## REPLACEMENT PARTS DM300DFP

ITEM	PART NO	DESCRIPTION	QTY	PRICE
1	DM35254F	Female Body	1	\$55.00
2	V35255A	Ball	1	\$37.55
3	V25060	Valve Stem Thrust Bearing	2	\$2.15
4	VS25151C	Stem w/O-Ring Grooves	1	\$13.20
5	A020V	#20 O-Ring	2	\$1.00
6	V35265	Body O-Ring FKM (viton type)	1	\$14.04
7	DM35258	Ball Seat	1	\$21.50
8	DM35294	Face Seal FKM (viton type)	1	\$31.75
9	DM35288F	Handle Button	1	\$2.50
10	DM35281	Button Spring	1	\$2.25
11	DM35153F	Female Handle	1	\$19.50
12	V25121	3/8" Washer	1	\$0.57
13	V25020	3/8" Handle Bolt	1	\$1.75
14	V35264	End Plate	1	\$48.89
15	V35258A	Ball Seat	1	\$20.91
16	DM35289	Locking Yoke	1	\$6.50
17	DM35009	Clamp Arm	2	\$56.00
18	DM35010	Clamp Lever	2	\$41.00
19	GP038200	3/8" x 2" Stainless Steel Groove Pin	2	\$4.75
20	GP0516300	5/16" x 3" Stainless Steel Groove Pin	2	\$6.80
21	V20019	3/8" Hex Nut	6	\$1.05
22	V20010SS	3/8" - 16 x 2" HHCS	6	\$1.05
23	V20018	3/8" Lockwasher	6	\$0.43
24	DM200PL	Plug	1	\$68.63
25	DM35013	Wire Form Hold Down Block	2	\$3.70

## REPLACEMENT PARTS DM300AFP

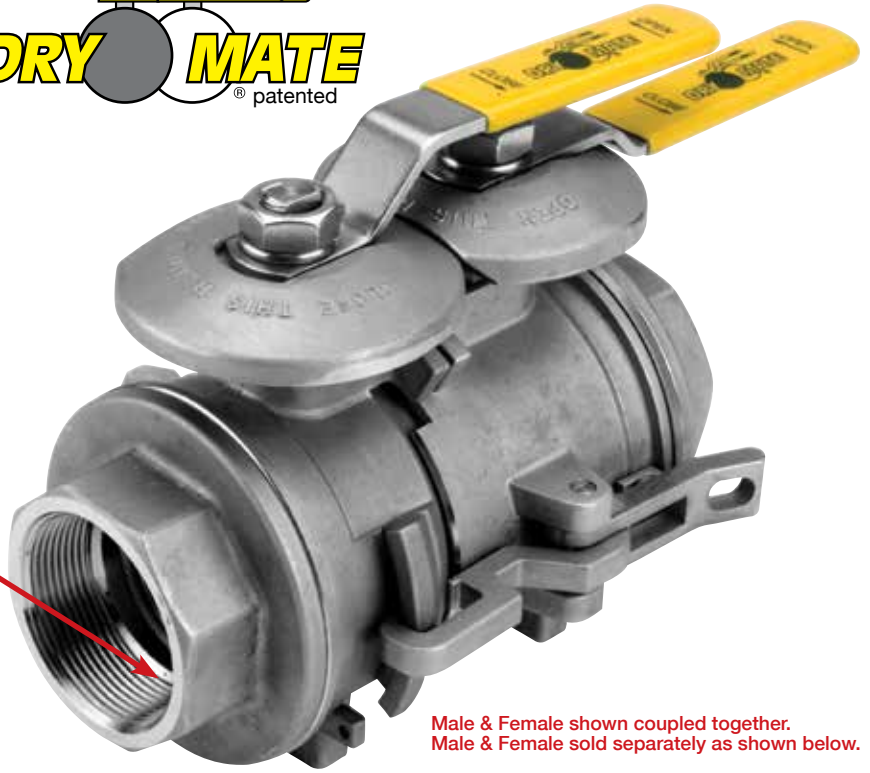
ITEM	PART NO	DESCRIPTION	QTY	PRICE
1	DM35254M	Male Body	1	\$51.00
2	V25060	Valve Stem Thrust Bearing	2	\$2.15
3	DM35255	Ball	1	\$35.50
4	VS25151C	Stem w/o-ring Grooves	1	\$13.20
5	A020V	#20 O-Ring	2	\$1.00
6	DM35258	Ball Seat	1	\$21.50
7	V35265	Body O-Ring FKM (viton type)	1	\$14.04
8	DM35288M	Handle Button	1	\$2.20
9	DM35281	Button Spring	1	\$2.25
10	DM35153M	Handle	1	\$20.00
11	V25121	3/8" Washer	1	\$0.57
12	V25020	3/8" Handle Bolt	1	\$1.75
13	V25502	3/4" Cap Plug	1	\$2.50
14	V35264	End Plate	1	\$48.89
15	V35258A	Ball Seat	1	\$20.91
16	V20010SS	3/8" - 16 x 2" HHCS	6	\$1.05
17	V20018	3/8" Lockwasher	6	\$0.43
18	V20019	3/8" Hex Nut	6	\$1.05
19	DM35006	Clamp Rib	2	\$13.80
20	DP02063	#2 x 5/8" Type U Drive Screw	4	\$1.00
21	DM300CAP	Cap	1	\$140.00

**2" Full Port!**

**2014 NEW**

**FEATURES**

- 316 stainless steel construction.
- FKM (viton type) standard, EPDM face seals available.
- 100% PTFE ball seats.
- 300 P.S.I. maximum operating pressure.
- 300°F maximum operating temperature.
- Spillage data: Less than 1cc.
- Filled valve for no product residue.
- 20 Degrees rotation either direction to ease coupling male and female halves.
- When liquid is flowing, Dry-Mate halves cannot be uncoupled without turning handles to closed position.
- When Dry-Mate halves are apart, handles cannot be turned to open position.



**APPLICATIONS**

- Agriculture
- Industrial
- Pharmaceutical
- Chemical processing

Available with Female NPT or BSP Threads

**SIZES**

- Sizes: 2" Full Port (Female NPT & BSP Threads)

**PREVENTS ACCIDENTAL SPILLS AND EXPOSURE!**

Male & Female shown coupled together. Male & Female sold separately as shown below.

2" FULL PORT STAINLESS STEEL DRY-MATE						
PART NO	DESCRIPTION	MAX PSI	PIPE SIZE	OPENING THRU BALL	QTY	PRICE
DM220ASS	2" FP Male x NPT Threads w/ all PTFE Seals	300	2"	2"	1	\$1,212.07
DM220DSS	2" FP Female x NPT Threads w/ FKM (viton type) Seals	300	2"	2"	1	\$1,839.72
DM220DSSE	2" FP Female x NPT Threads w/EPDM Seals	300	2"	2"	1	\$1,839.72
DM220ABSS	2" FP Male x BSP Threads w/ all PTFE Seals	300	2"	2"	1	\$1,212.07
DM220DBSS	2" FP Female x BSP Threads w/ FKM (viton type) Seals	300	2"	2"	1	\$1,839.72
DM220DBSSE	2" FP Female x BSP Threads w/EPDM Seals	300	2"	2"	1	\$1,839.72



New face seal design for easy seal interchange! No need to disassemble the valve to change face seals.



Male Dry-Mate



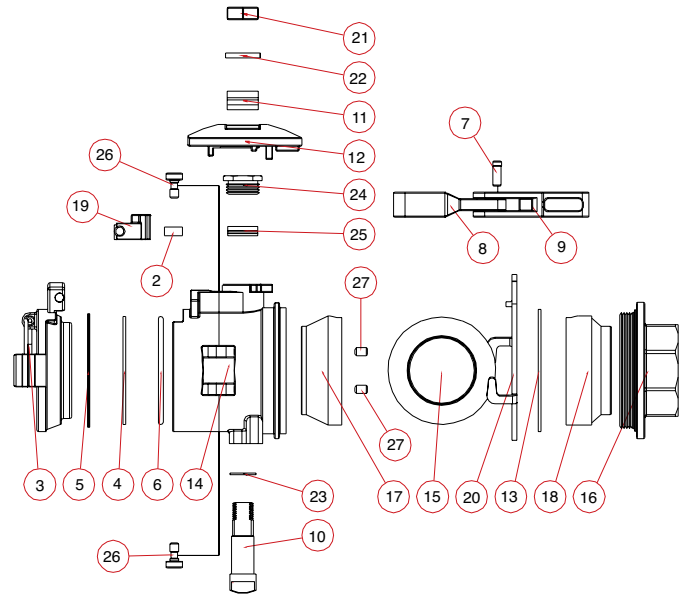
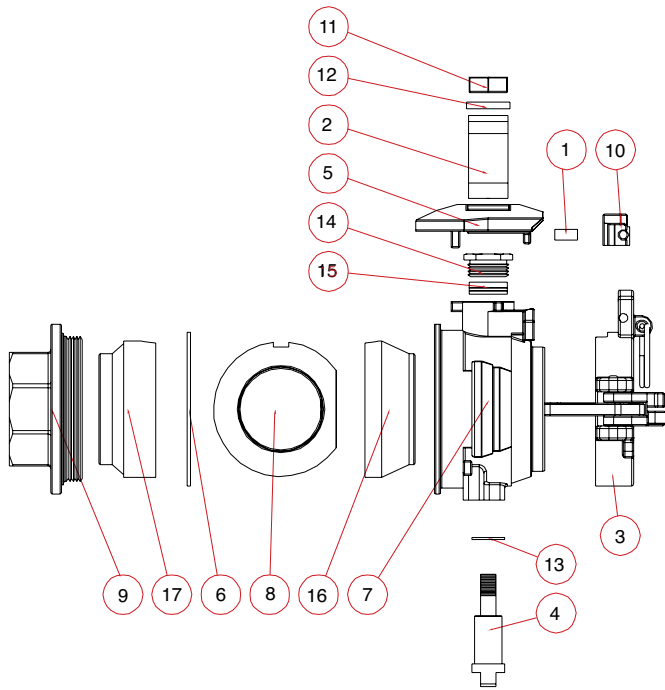
Female Dry-Mate

Male & Female Sold Separately





# PRODUCTS



## REPLACEMENT PARTS DM220ASS

ITEM	PART NO	DESCRIPTION	QTY	PRICE
1	DB20281	Button Spring	2	\$3.56
2	DM25153SSM	2" Male Handle	1	\$56.17
3	DM220CAP	Dust Cap	1	\$78.73
4	DM25151SS	Stem	1	\$59.10
5	DM25155SS	Male Handle Interlock	1	\$49.34
6	DM25204SS*	Body Shim	1	\$11.50
7	DM25254MSS	Body	1	\$763.39
8	DM25255SSH	Ball	1	\$187.45
9	DM25256SS	End Plate	1	\$156.79
10	DM25288MSS	Safety Button	1	\$18.53
11	VSS15020	5/8" - 20 Jam Nut	1	\$2.31
12	VSS15021	5/8" Lock Washer	1	\$2.31
13	VSS15060*	Stem Packing	1	\$1.85
14	VSS15159	Packing Nut	1	\$16.50
15	VSS15160*	Stem Shim	1	\$6.15
16	DM25258FV1*	Filled Valve Body Seat	1	\$122.20
17	DM25258FV2*	Filled Valve End Plate Seat	1	\$129.10
18	DM221SS	Repair Kit	1	\$271.42

## REPLACEMENT PARTS DM220DSS

ITEM	PART NO	DESCRIPTION	QTY	PRICE
2	DB20281	Button Spring	2	\$3.56
3	DM220PL	Dust Plug	1	\$72.07
4	DM25001	Seal Ring	1	\$9.80
5	DM25002	Snap Ring	1	\$28.82
6	MLS234G	EPDM 234 O-Ring (old style)	1	\$1.77
6	MLS234GV*	FKM (viton type) 234 O-Ring (old style)	1	\$6.43
6	DM25294	2" FP FKM(viton type) Face Seal (new style)	1	\$42.84
7	DM25004	Groove Pin	2	\$11.01
8	DM25009	Clamp Arm	2	\$29.69
9	DM25010	Clamp Lever (old style)	2	\$29.69
9	DM25010A	Clamp Lever (new style)	2	\$39.47
10	DM25151SS	Stem	1	\$59.10
11	DM25153SSF	Female Handle	1	\$56.17
12	DM25154SS	Female Handle Interlock	1	\$54.52
13	DM25204SS*	Body Shim	4	\$11.50
14	DM25254FSS	Body	1	\$929.88
15	DM25255SSH	Ball	1	\$147.68
16	DM25256SS	End Plate	1	\$156.79
17	DM25258FV1*	Filled Valve Body Seat PTFE	1	\$122.20
18	DM25258FV2*	Filled Valve Body Plate Seat PTFE	1	\$129.10
19	DM25288FSS	Interlock Button	1	\$18.53
20	DM25289SS	Locking Yoke	1	\$94.99
21	VSS15020	5/8" - 20 Jam Nut	1	\$2.31
22	VSS15021	5/8" Lock Washer	1	\$2.31
23	VSS15060*	Stem Packing	1	\$1.85
24	VSS15159	Packing Nut	1	\$16.50
25	VSS15160*	Stem Shim	1	\$6.15
26	DM25018	Cam Lever Pin (old style)	4	\$13.69
26	DM25018A	Cam Lever Pin (new style)	4	\$8.67
27	DM25020	#10- 24 x 5/16" Set Screw	4	\$6.44
N/S	DM222SS	Repair Kit	1	\$353.73

Valve repair kits contain items marked with asterisk \*.

# 2014 NEW

## SS Butt Weld Pipe Sweep

### FEATURES

- 316 stainless steel.
- 2" Full port sweep.



**BW220SWP90SS**

BUTT WELD PIPE SWEEP				
PART NO	DESCRIPTION	MAX PSI	QTY	PRICE
BW220SWP90SS	2" 90° Full Port Stainless Steel Butt Weld Pipe Sweep	1000	1	\$64.00

## SS Manifold Butt Weld Adapter

### FEATURES

- 316 stainless steel.
- No threads.



**M220BWASS**

MANIFOLD BUTT WELD ADAPTER				
PART NO	DESCRIPTION	MAX PSI	QTY	PRICE
M220BWASS	2" Full Port Stainless Steel Manifold Butt Weld Adapter	1000	1	\$75.50

## 2" Manifold Poly Pumps

### FEATURES

- Precision molded construction.
- Lightweight.
- Corrosion resistant.
- Superior design.
- Low maintenance.
- EPDM Standard, FKM (viton type) available.

**CAUTION-WARNING:** Please do not run pump dry, restrict or reduce port sizes, or dead head pump. This could cause component failure to pump.

**DO NOT USE WITH FLAMMABLE LIQUIDS.**

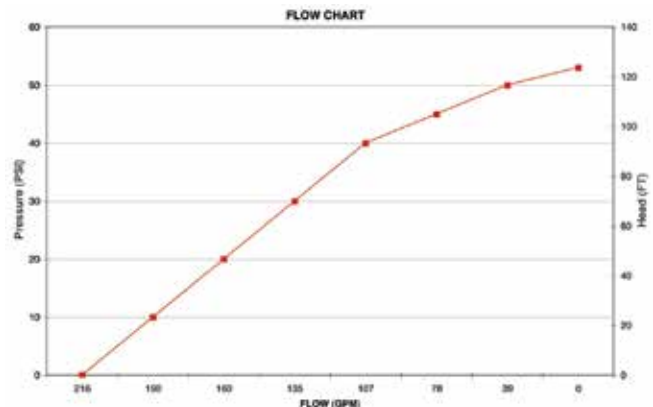
**NOTE:** Engine warranty service available at authorized Briggs & Stratton and Honda dealers.



2" MANIFOLD POLY PUMPS W/GAS ENGINES				
PART NO	DESCRIPTION	HP	QTY	PRICE
M220P6PRO	2" Manifold Poly Pump w/6.5 HP Briggs & Stratton® Pro Series Engine	6.5	1	\$1,135.12
M220PH5	2" Manifold Poly Pump w/5.5 HP Honda® Engine	5.5	1	\$1,938.78

2" MANIFOLD POLY PUMP ONLY				
PART NO	DESCRIPTION	HP	QTY	PRICE
M220PO	2" Manifold Poly Pump Only w/ 3/4" Shaft & 3 Vane Impeller	N/A	1	\$420.29

See page 74 & 75 for fittings and clamps.



# PRODUCTS

## 2" SUPER Manifold Poly Pumps

**NEW!**

### FEATURES

- Precision molded construction.
- Lightweight.
- Corrosion resistant.
- Superior design.
- Low maintenance.
- EPDM Standard, FKM (viton type) available.

**High performance impeller for maximum flow! 255 GPM!**



POWERED BY  
**HONDA**  
ENGINES  
GX Series  
COMMERCIAL



**CAUTION-WARNING:** Please do not run pump dry, restrict or reduce port sizes, or dead head pump. This could cause component failure to pump.

**DO NOT USE WITH FLAMMABLE LIQUIDS.**

**NOTE:** Engine warranty service available at authorized Briggs & Stratton and Honda dealers.

2" SUPER MANIFOLD POLY PUMPS W/GAS ENGINES					
PART NO	DESCRIPTION	HP	QTY	PRICE	
M230PH6	2" FP Manifold Super Pump w/6.5 HP Honda® Engine	6.5	1	\$2,296.12	
M230P6PRO	2" FP Manifold Super Pump w/6.5 HP Briggs & Stratton® Pro Series Engine	6.5	1	\$1,203.86	
M230P11PRO	2" FP Manifold Super Pump w/11 HP Briggs & Stratton® Pro Series Engine w/Electric Start	11	1	\$2,440.42	

See page 74 & 75 for fittings and clamps.

