

QUIET-RUNNING COUNTERFLOW SYSTEM PUMPS

Applications:
Adjustable counterflow for swimming training



STP

Single-stage centrifugal pumps with complete drainage device.

Inbuilt counterflow system:

This jet stream is ready for easy installation. It is possible to regulate the jet strength and air suction on the nozzle of 40 mm in diameter, which is directionally adjustable. The nozzle, suction and pneumatic switch are positioned in the front cover panel of the equipment. Complete counterflow system includes:
Counterflow nozzle 40 mm (regulation water-air)
Front cover panel-attractive design
Pool wall lead-through
Pump
Electropneumatic switch with safety element
PVC fitting

Motor:

Asynchronous, two poles.
IP 55 protection.
Class F insulation.
Continuous operation.

Materials:

Suction and discharge mountings in polypropilen.
Motor shaft in stainless steel AISI-304.
Impeller in PPO.
Mechanical seal in graphite and steatite.
Motor housing in aluminum L-2521.

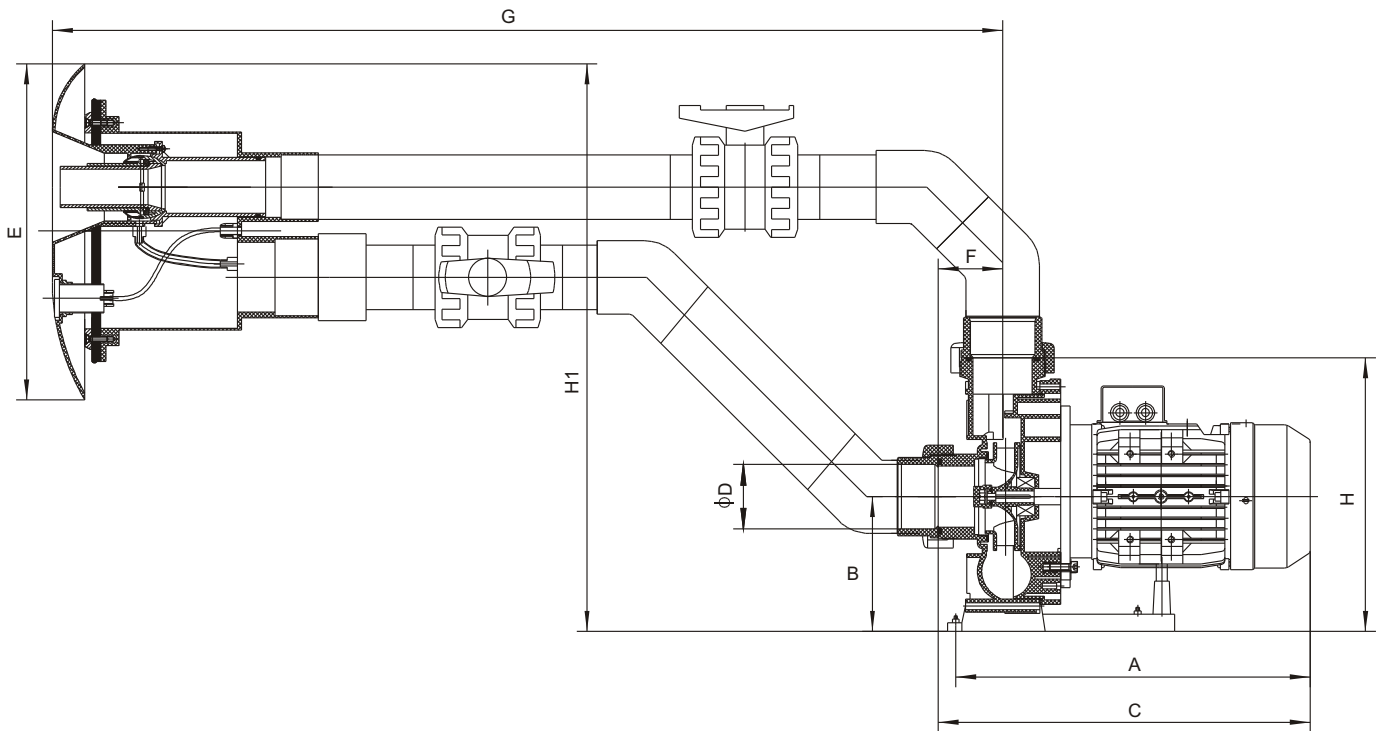
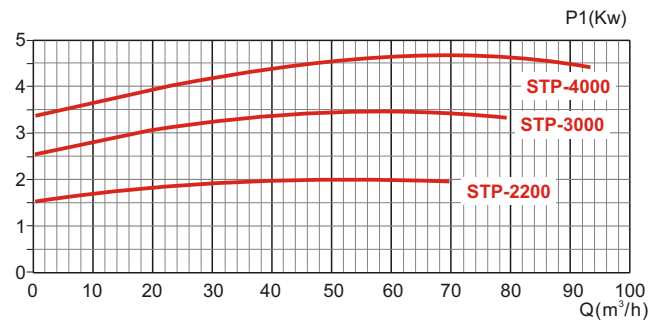
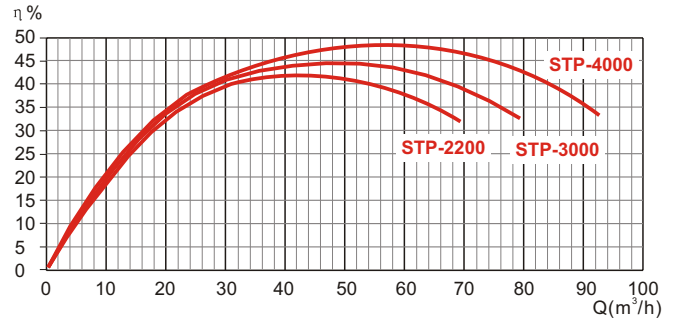
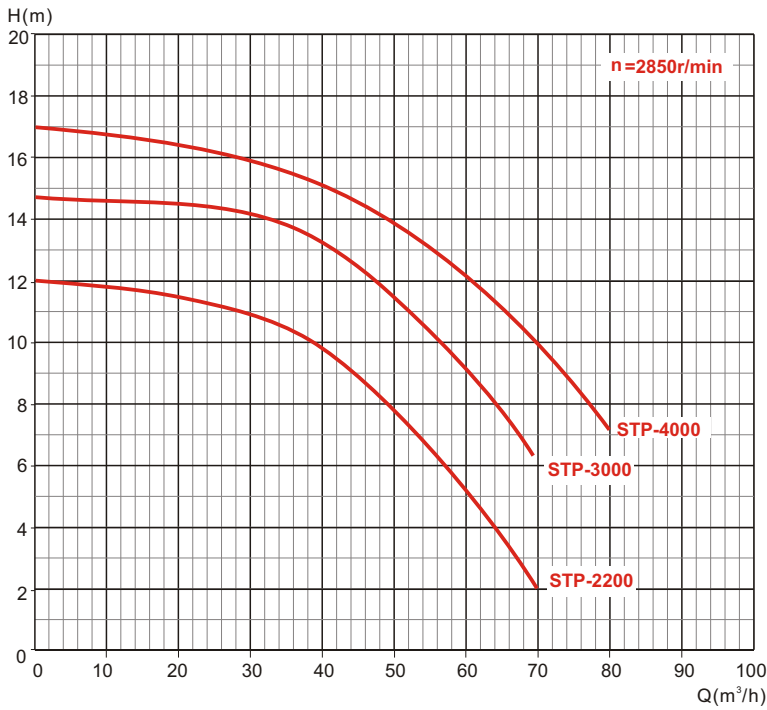
Pulsating massage hose

Air pipe

Control switch

TECHNICAL DATA

Model	HP	KW	V		A		P1(KW)	Q	L/min m³/h	H(m)	0	333.3	500	666.7	833.3	1000	1166.7	1333.3	
			1~	3~	1~	3~					0	20	30	40	50	60	70	80	
			50HZ	50HZ	220	380													
STP-2200	3	2.2	220	380	15	4.9	2.8		12	11.7	10.5	9.8	7.9	5.8	2.1				
STP-3000	4	3		380		6.4	3.6		14.5	14.2	14	13.4	11.5	9.5	6.7				
STP-4000	5.5	4		380		8.3	4.7		17	16.2	16	15.3	13.8	12.5	9.5	7.5			

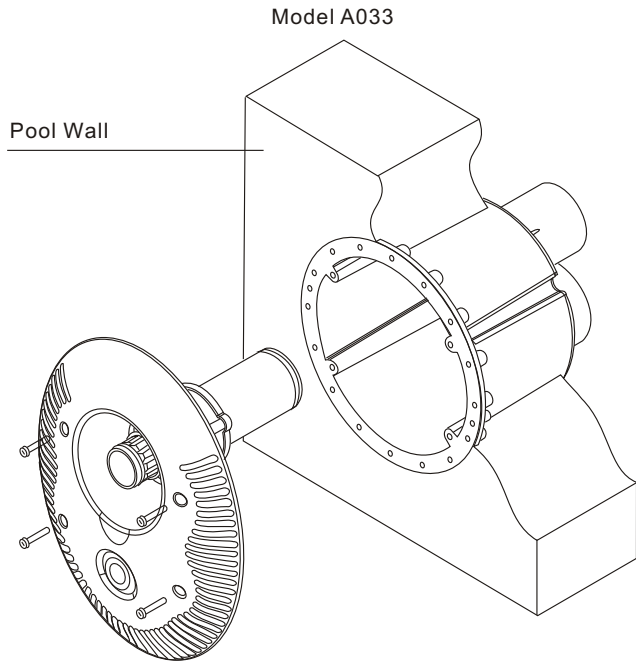


DIMENSION

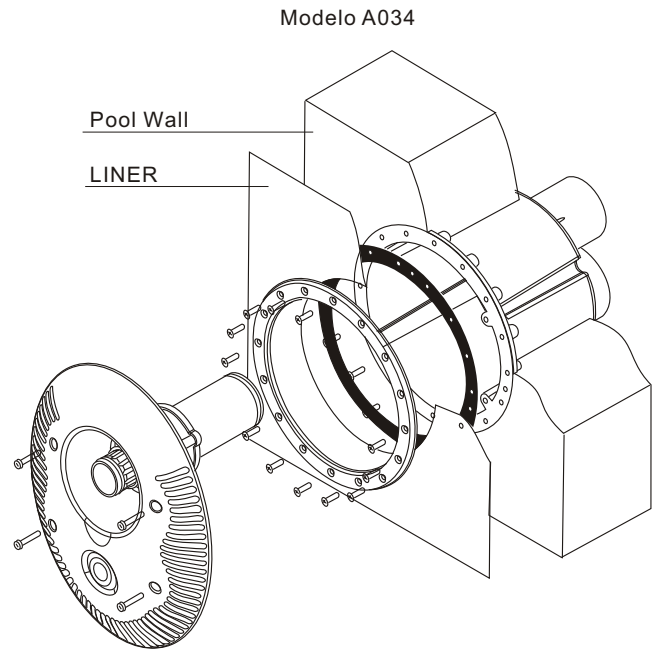
Model	A	B	C	D	E	F	G	H	H1
STP-2200	370	156	440	$\phi 75$	395	77	1110	340	635
STP-3000	410	156	470	$\phi 75$	395	77	1110	340	635
STP-4000	440	156	500	$\phi 75$	395	77	1110	340	635

STP COUNTERGLOW JET

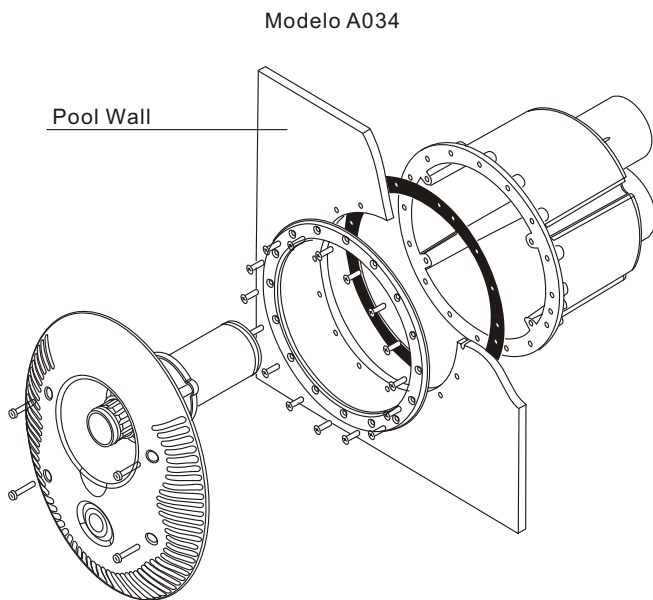
INSTALLATION IN CONCRETE SWIMMING POOLS



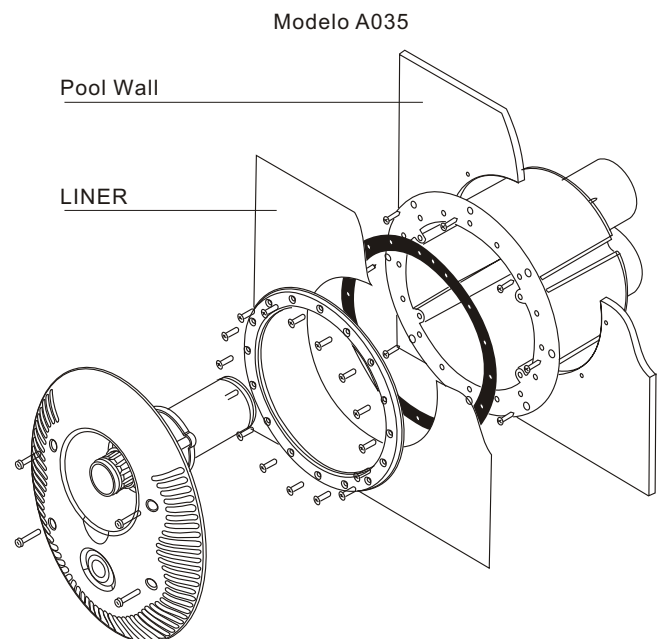
INSTALLATION IN CONCRETE SWIMMING POOLS WITH LINER



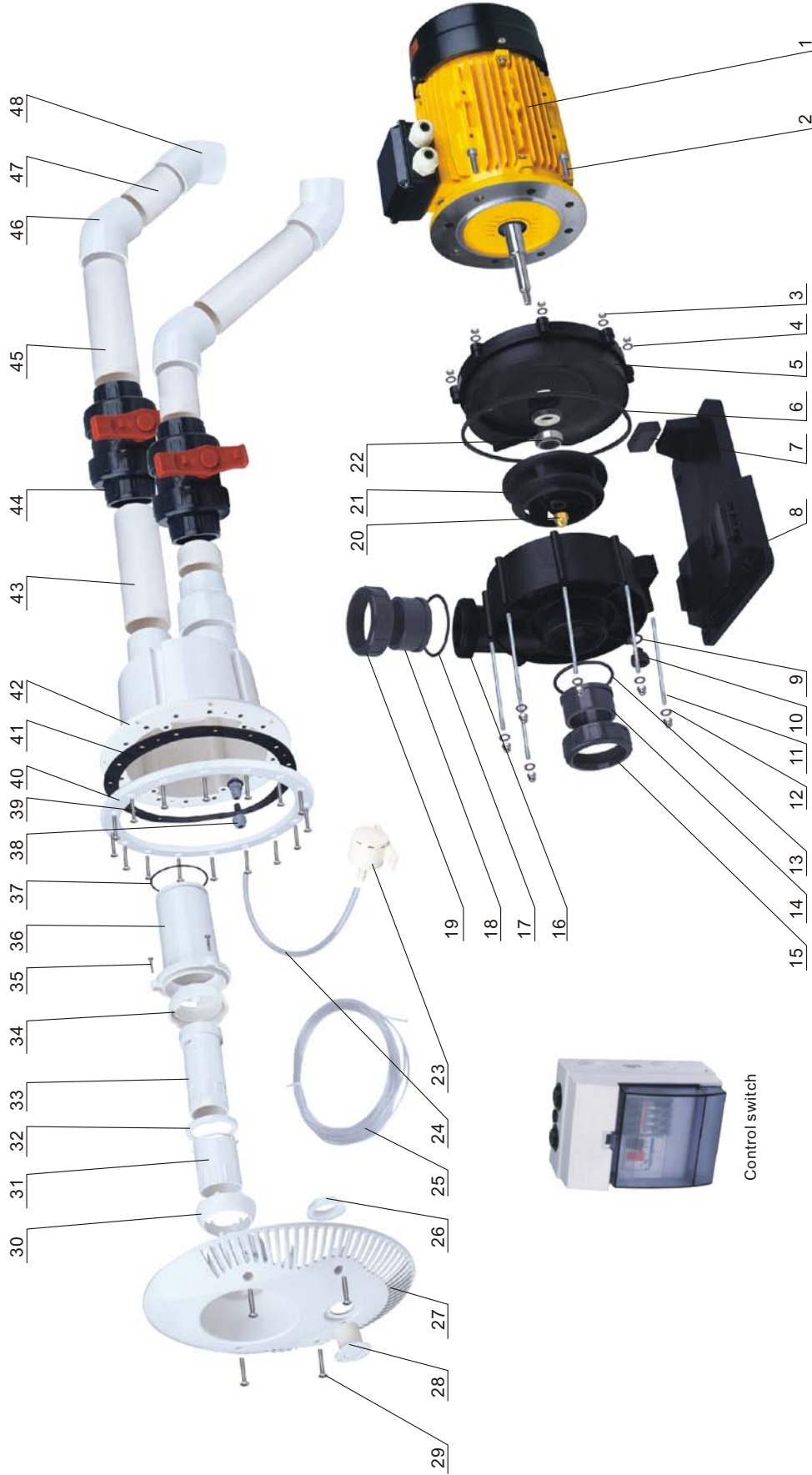
INSTALLATION IN PREFABRICATED SWIMMING POOLS



INSTALLATION IN PANELLED SWIMMING POOLS WITH LINER



STP Series Expanded Diagram



DIAGRAM

No.	Description	No.	Description	No.	Description	No.	Description	No.	Description
1	Motor	11	Bolt	21	Impeller	31	Air Adjuster	41	Wide Adhesive Seal
2	Screw	12	Washer	22	Mechanical Seal	32	Bushing	42	Counter Flow Housing Concrete Pool
3	Nut	13	O-Ring	23	Air Suction Item	33	Water Adjuster	43	Duct
4	Washer	14	Connection	24	Air Suction Pipe	34	Front Cover	44	Valve
5	Pump Cover	15	Connector Nut	25	Pneumatic Pipe	35	Screw	45	Duct
6	O-Ring	16	Pump Body	26	Push Button Nut	36	Drive Link	46	45° Syphon
7	Support Block	17	O-Ring	27	Facing Unit	37	O-Ring	47	Duct
8	Foot Support	18	Connection	28	Push Button Body	38	Gland Seal Butt Joint	48	45° Syphon
9	O-Ring	19	Connector Nut	29	Screw	39	Screw		
10	Drain Plug	20	Impeller Nut	30	Rear Cover	40	Wide Fastening Flange		