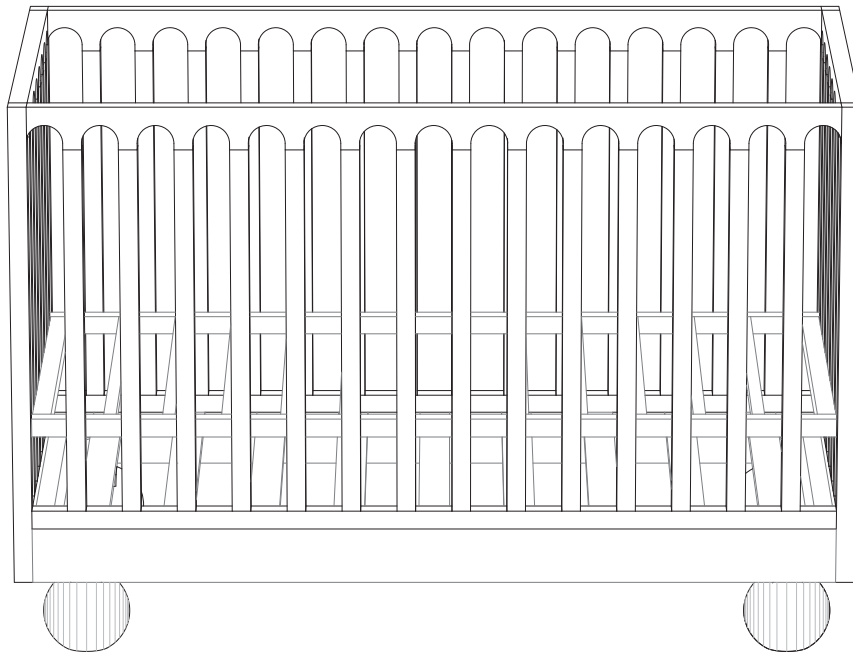


SACRÉD BUNDLE

LUXE ESSENTIALS | FOR YOUR MINI

Zali

Ashwood Cot



IMPORTANT

PLEASE READ THE INSTRUCTIONS
CAREFULLY AND KEEP FOR FUTURE
REFERENCE

ZA10010-ASH

Sacred Bundle Pty Ltd. ABN 47631902479
 5/108 Dover Drive, Burleigh Heads, QLD, 4220.
 Phone: +61 4 34362219
 +61 4 23688138
 Email: bubinfo@sacredbundle.com.au
 www.sacredbundle.com.au

Zali Ashwood Cot - ZA10010-ASH

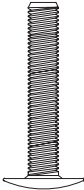

Assembled Dimensions
 1360L x 740D x 940H mm

Mattress Dimensions
 1320L x 700D x 110H mm

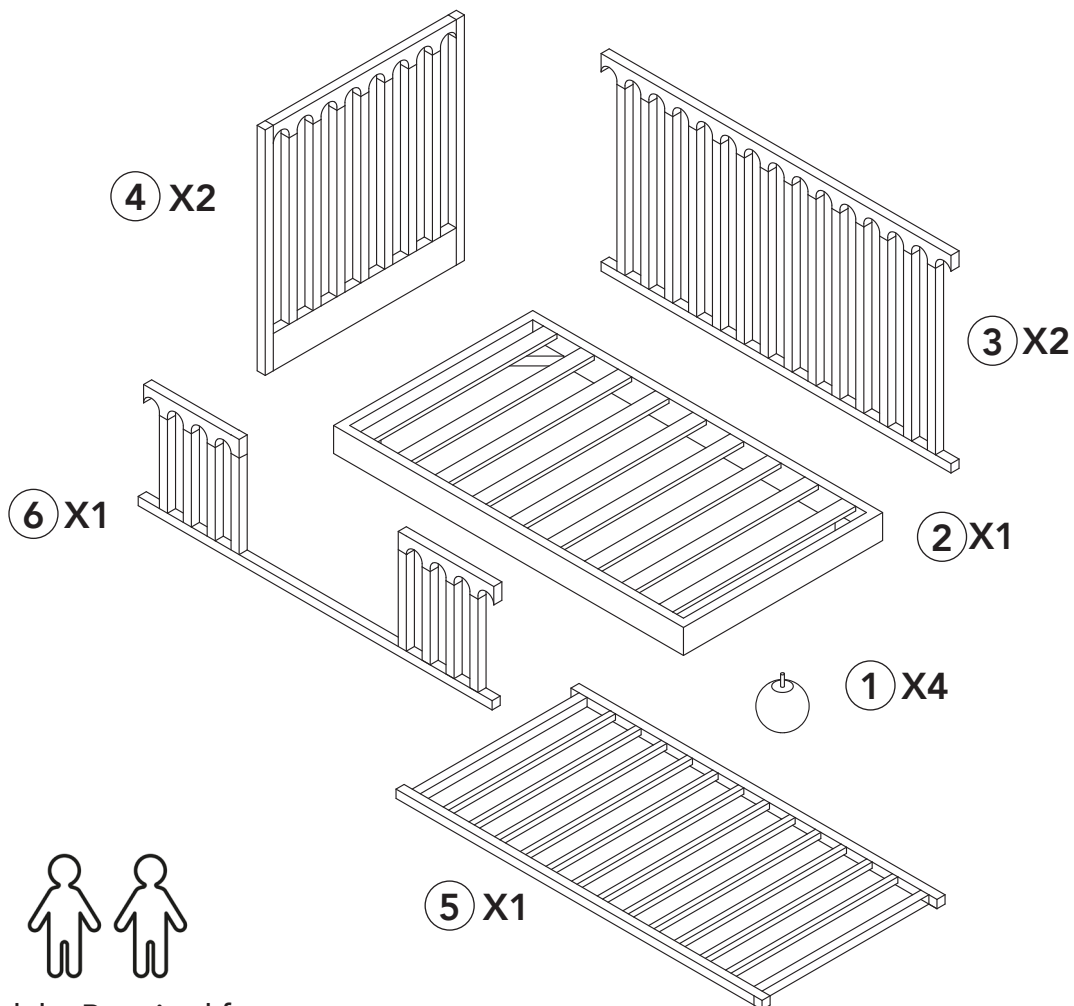
Materials: Natural Ashwood

Internal Dimensions
 1320L x 700D x 110H mm

Hardware

A x 18	B x 1				
					
M6 x 50mm					

Parts List

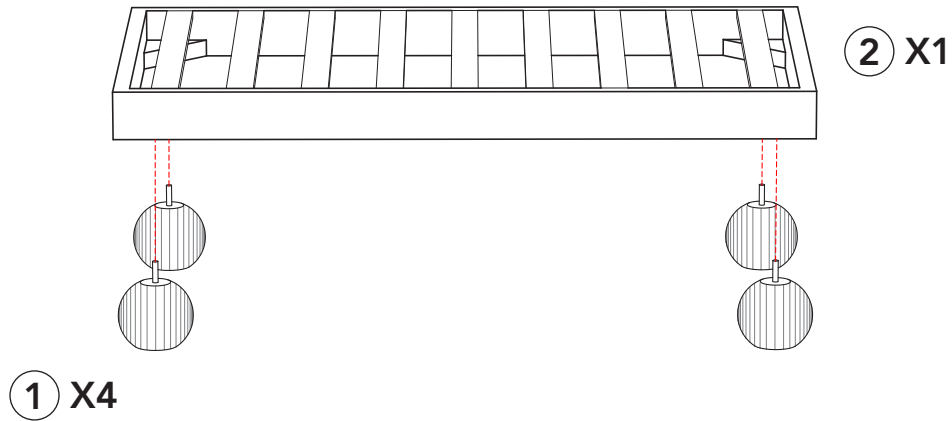


2 Adults Required for
 Assembly

Assembly

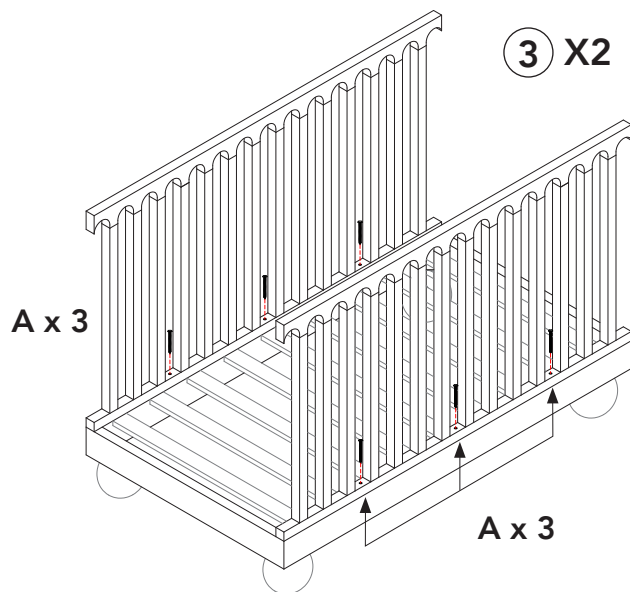
1

Screw in each leg to the base by matching the numbered stickers.

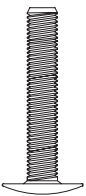


2

Attach both long cot sides by matching the numbered stickers.



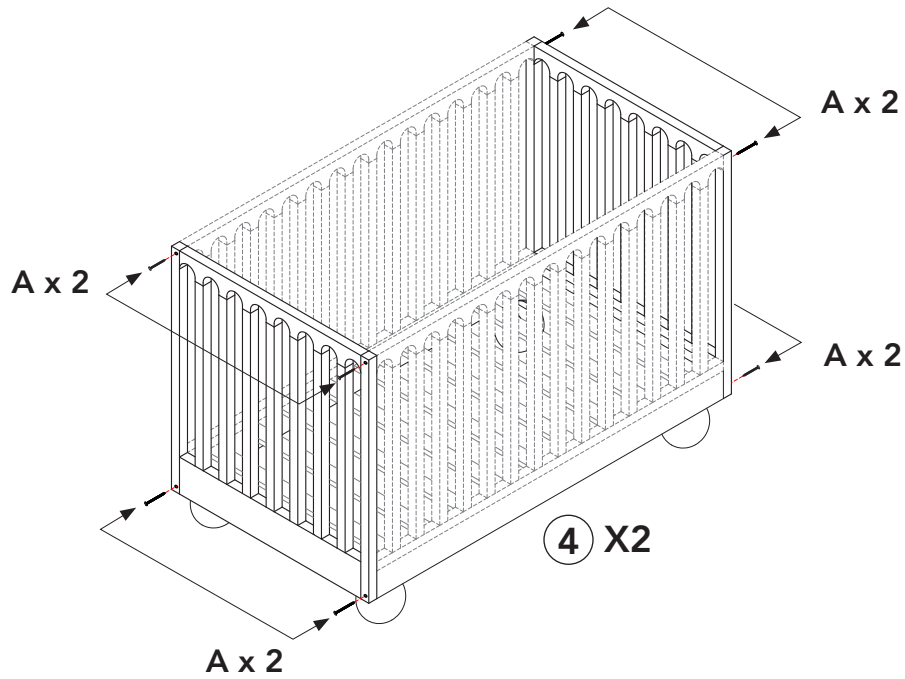
A x 6



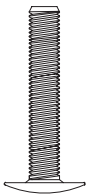
Assembly

3

Attach both short cot sides by matching the numbered stickers.



A x 8

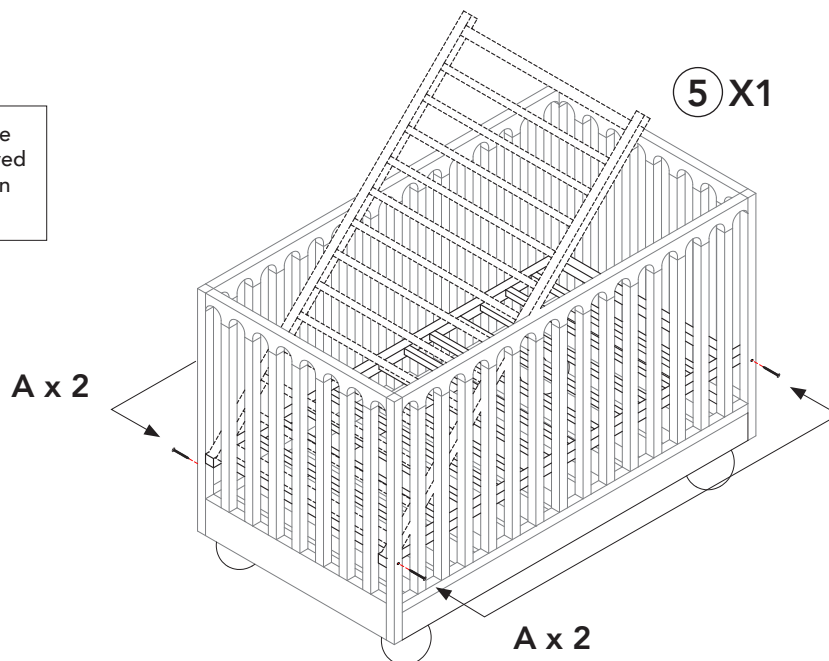


4

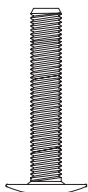
Attach the adjustable base by matching the numbered stickers. Lower one end in first securing A x 2, followed by the opposite end by securing A x 2

Adjustable base must be removed before child can sit up.

Sticker side of base must face up.



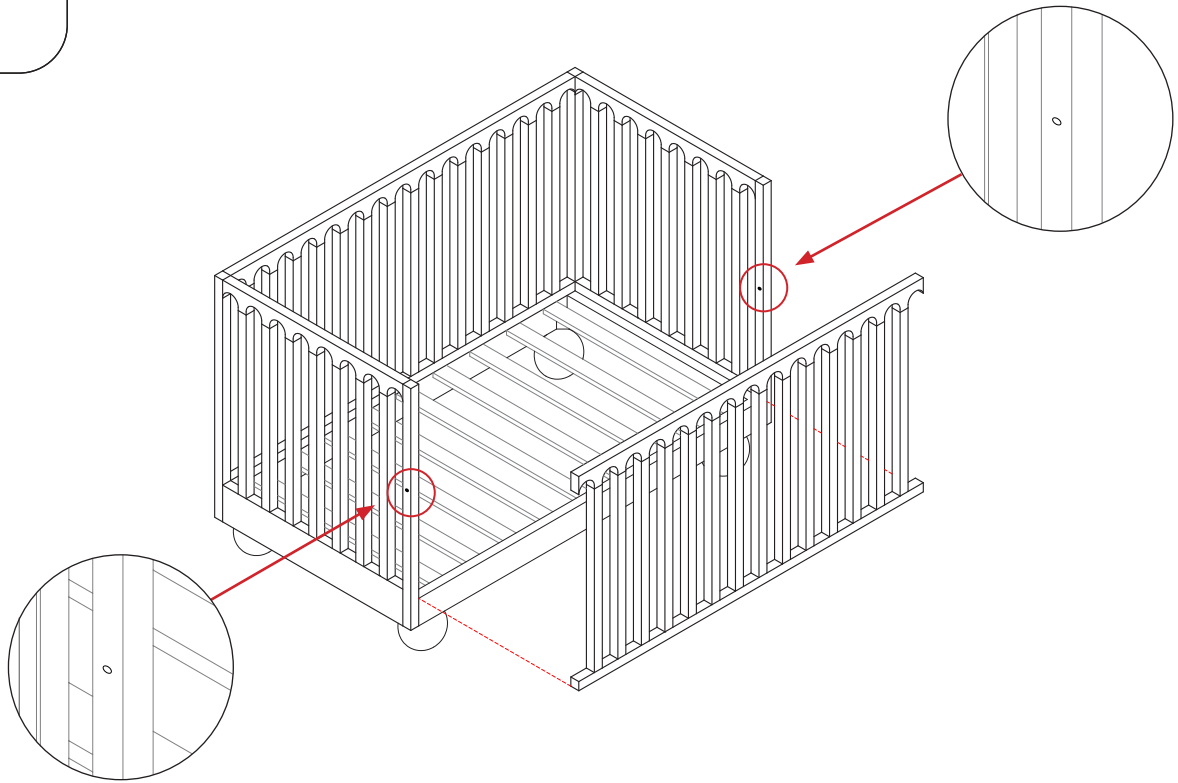
A x 4



Conversion Kit Assembly

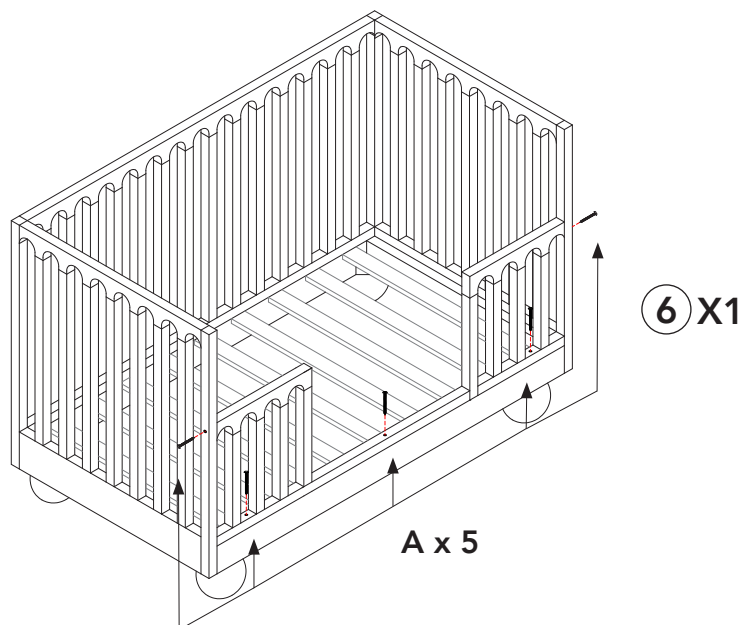
1

Remove long side where the additional holes are located.

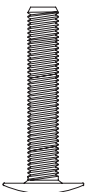


2

Install the conversion kit into place, secure with A x 5.



A x 5



AUSTRALIAN STANDARDS COMPLIANCE



WARNING

**WARNING: TO PREVENT FALLS THE MATTRESS BASE OF THIS COT SHOULD BE ADJUSTED TO THE LOWEST POSITION BEFORE THE CHILD CAN SIT UP
RECOMMENDED MATTRESS SIZE: 700 MM WIDE X 1320 MM LONG X NO MORE THAN 110 MM THICK**

- **RECOMMENDED MATTRESS SIZE.** This cot has been manufactured for use with a mattress which measures 700mm wide by 1320mm long by 110mm in thickness. The width and length are specified because it is important that the gaps between the mattress and the sides and ends of the cot does not exceed 40mm when the mattress is pushed to one side or end, and 20mm when the mattress is centered to the cot. The thickness of the mattress has been specified to ensure that the depth of the cot is greater than 500mm with the mattress base in the lower position to minimize the risk of a child climbing or falling out of the cot.
- Failure to follow these warnings and the assembly instructions could result in serious injury or death.
- Before each usage or assembly, inspect cot for damaged hardware, Loose joints, missing parts or sharp edges. Do not use cot if any parts are missing or broken. Contact Sacred Bundle Pty Ltd for replacement parts and instructional literature if needed. Do not substitute parts.
- When child is able to climb out or reach the height of 90 cm, the cot shall no longer be used.
- Do not place cot near power points and heaters.
- Do not place cot near windows where cords from blinds or drapes may strangle the child.
- Keep medication, strings, elastic bands, small toys or small items such as coins out of reach from any position in the cot.
- If refinishing, use a non-toxic finish specified for children's products.
- Do not use a water mattress with this cot
- Upon completion of assembly, be sure all screws and bolts have been tightened securely.
- A periodic check should be made of all screws and bolts and tightened if necessary.
- Never use plastic shopping bags or other plastic film as mattress covers or pillow case as they can cause suffocation.
- Do not drag cot.
- After cot has been completely assembled, store instruction sheet in a safe place for future reference.
- Under no circumstances should the warning labels be removed from mattress support and removable base!



WARNING

WARNING: TO PREVENT FALLS, THE MAXIMUM MATTRESS THICKNESS SHOULD NOT EXCEED 110 MM.

IMPORTANT SAFETY INFORMATION FOR TODDLER CONVERSION KIT



WARNING

WARNING: ENTRAPMENT / STRANGULATION HAZARD

- Infants have died in toddler beds from entrapment and strangulation.
- Failure to follow these warnings and the assembly instructions could result in serious injury or death.
- A child using the toddler or day bed shall be at least 18 months of age and shall not weigh more than 22kgs.
- DO NOT place bed near windows where cords from blinds or drapes may strangle a child.
- DO NOT place items with a string, cord, or ribbon around a child's neck, such as hood strings or pacifier cords.
- If guardrails are used as the mattress containment means, guardrail(s) provided must be used to avoid the formation of a gap between the mattress and the bed that could cause an entrapment.
- The mattress intended for use on the bed shall be a full-size cot mattress having minimum dimensions of 700mm in width, 1320mm in length and 110mm in thickness, not exceeding 130mm in thickness.

CARE & MAINTENANCE

Congratulations and thank you for choosing Sacred Bundle product(s). The furniture you have purchased is constructed from high quality materials for strength and durability. Here are some tips on how you can preserve its beauty for a long time.

1. Do not expose furniture to direct heat sources, extreme changes in temperature or moisture. The cot should not be placed directly next to air-conditioning, outlets, fire places, radiators, space heaters, humidifiers, or dehumidifiers. Exposure to extreme variations of temperature and humidity can damage wood products.
2. Keep the cot out of direct sunlight. UV rays may fade colours and in some cases darken them. It can cause crazing or hair line cracks in the finish. Finishes will darken naturally over time and exposure to direct sunlight will hasten this natural process along with some wood darkening; this is not considered to be a quality defect.
3. Wipe up spills immediately with a soft, clean cloth.
4. Urine spills on furniture can cause discolouration.
5. Clean furniture by wiping the surface with a soft cloth dampened with water.
6. If necessary clean furniture using a mild soap solution and wipe clean with a soft cloth dampened with water and then dry with soft clean cloth.
7. Do not use strong household cleaners.
8. Always wipe in the direction of the grain in the wood do not wipe in a circular motion.
9. Avoid contact with sharp objects, or containers containing hot liquid.
10. When moving furniture do not drag always lift and place in position.
11. To remove any residue from assembly stickers, wipe off gently with a small amount of rubbing alcohol on a clean cloth.
12. In case of the appearance of mildew after storage, generously spray all affected areas with a mix of 1:10 part vinegar and water. Once the mix has been applied, let it sit for 10 minutes and wipe clean with a dry cloth. Place the affected parts outside in direct sunlight for 1 hour to air out and allow it to thoroughly dry.
13. Always check that the cot is free from damage before use. Do not use product if any damage is present.
14. Regularly check that all assembly fittings are always tightened properly and retighten as necessary.