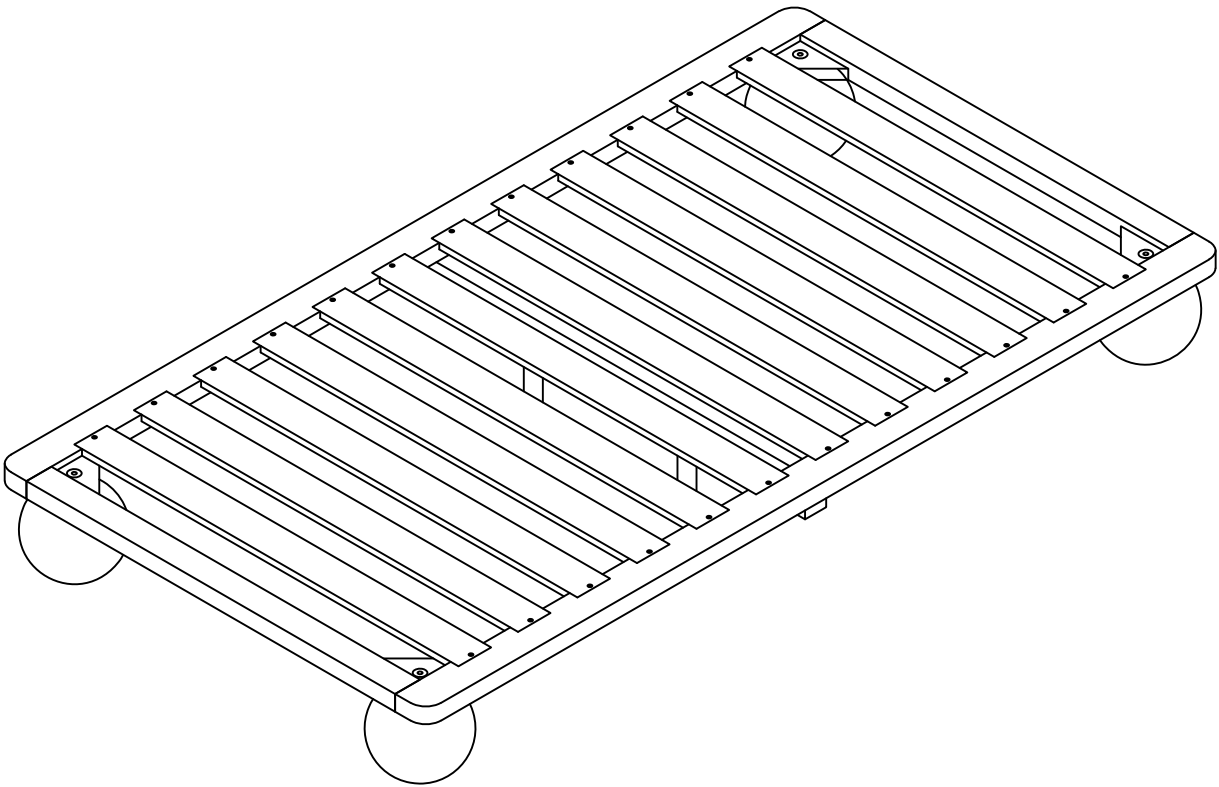


SACRÉD BUNDLE

LUXE ESSENTIALS | FOR YOUR MINI

Zali

single bed



IMPORTANT
PLEASE READ THE INSTRUCTIONS
CAREFULLY AND KEEP FOR FUTURE
REFERENCE

SB01-FRA-ASH / SB01-ZL-ASH

Sacred Bundle Pty Ltd. ABN 47631902479
 5/108 Dover Drive, Burleigh Heads, QLD, 4220.
 Phone: +61 4 34362219
 +61 4 23688138
 Email: bubinfo@sacredbundle.com.au
 www.sacredbundle.com.au

Zali King single bed - SB01-FRA-ASH / SB01-ZL-ASH

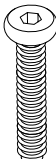
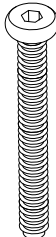


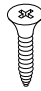
Assembled Dimensions
 2080L x 1120D x 240H mm

Mattress Dimensions
 2080L x 1120D x 110H mm

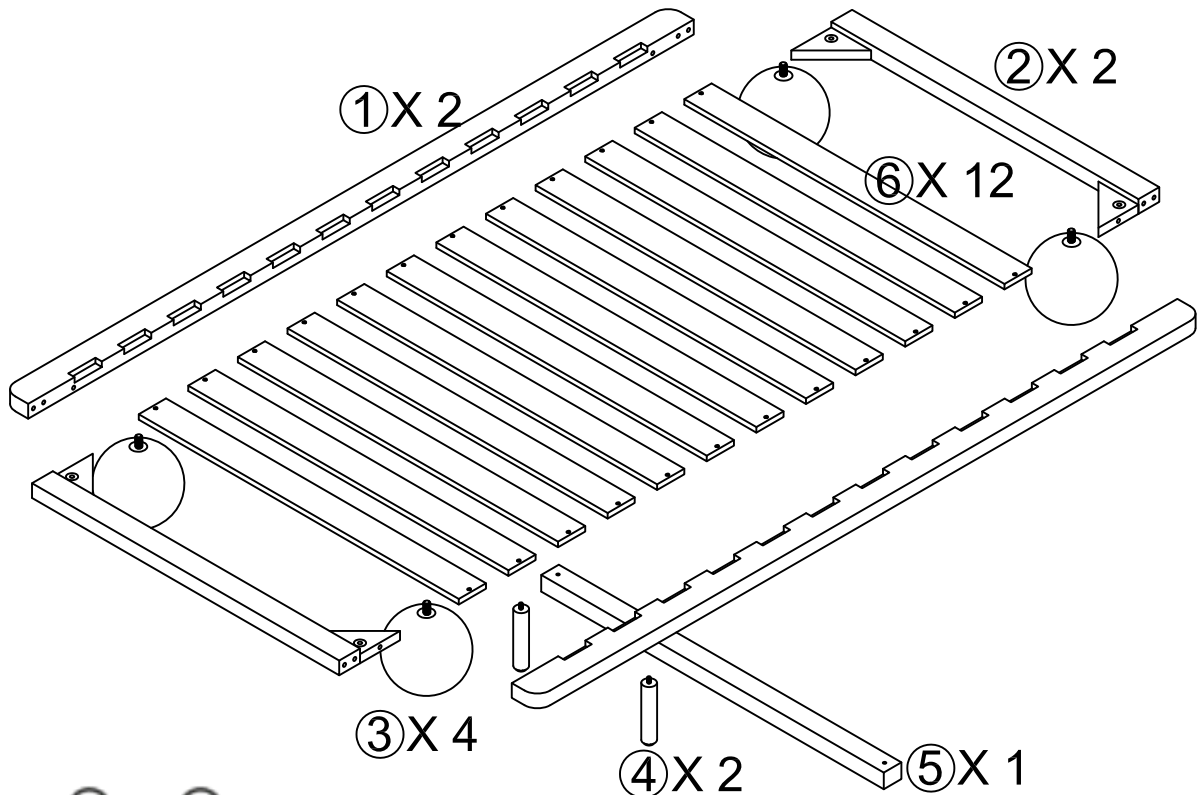
Materials: Natural Ashwood Frame
 Natural Pine Slats

Internal Dimensions
 2080L x 1120D x 240H mm

Hardware

A x 6	B x 4	C x 1	D x 4	E x 24	
					
M8 x 50mm	M8 x 100mm	5mm	Ø10 x 40mm	Ø4 x 25mm	

Parts List

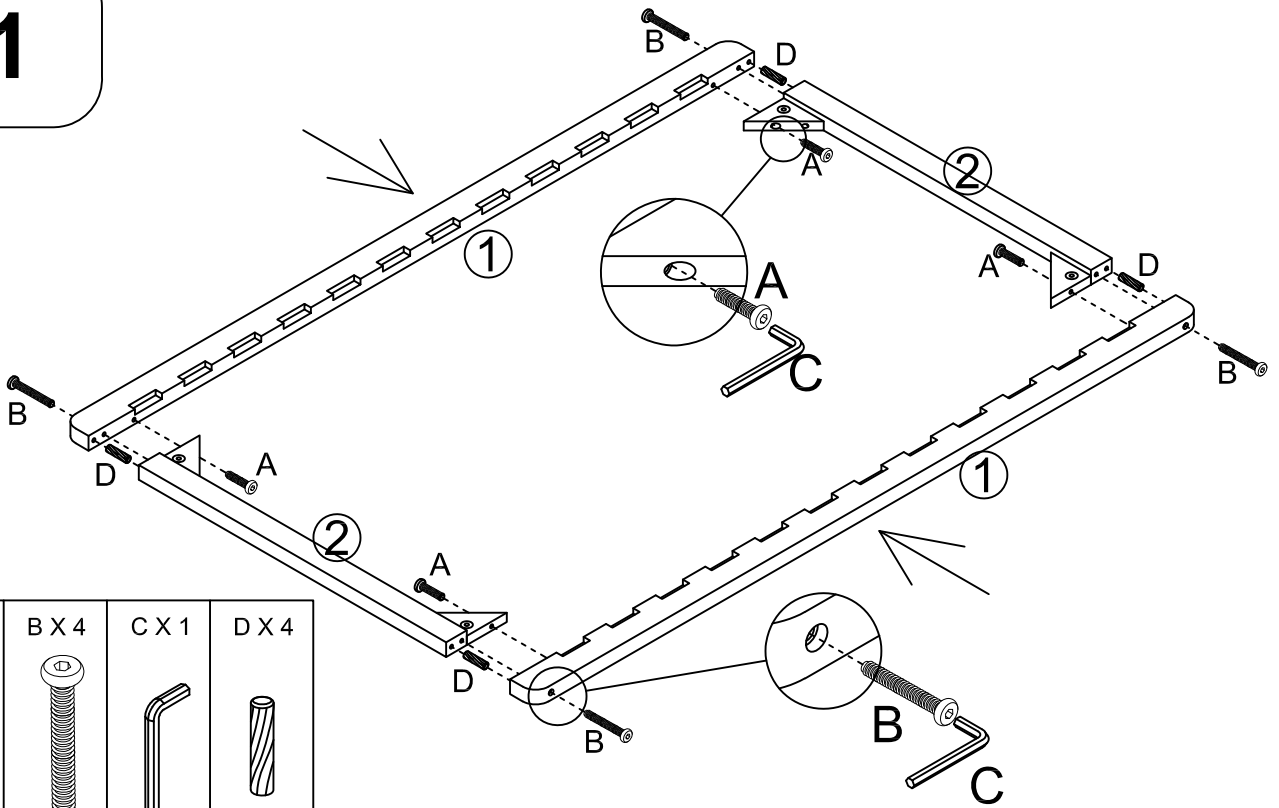


2 Adults Required for Assembly

Assembly

1

Assemble the frame with screws and wooden tenons provided.

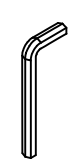
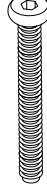
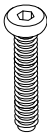


AX 4

BX 4

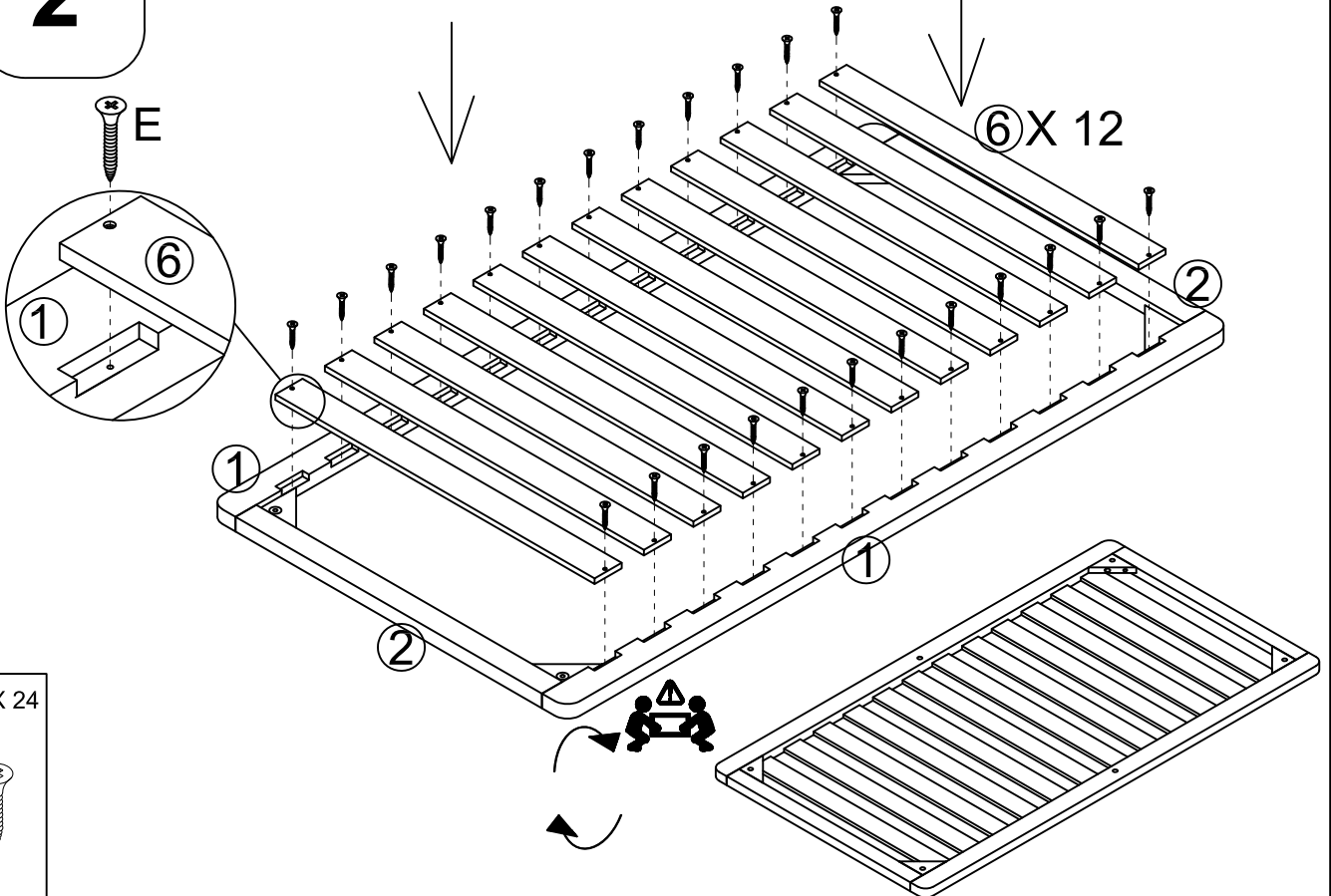
CX 1

DX 4



2

Place each slat on the frame and secure with self tapping screws.



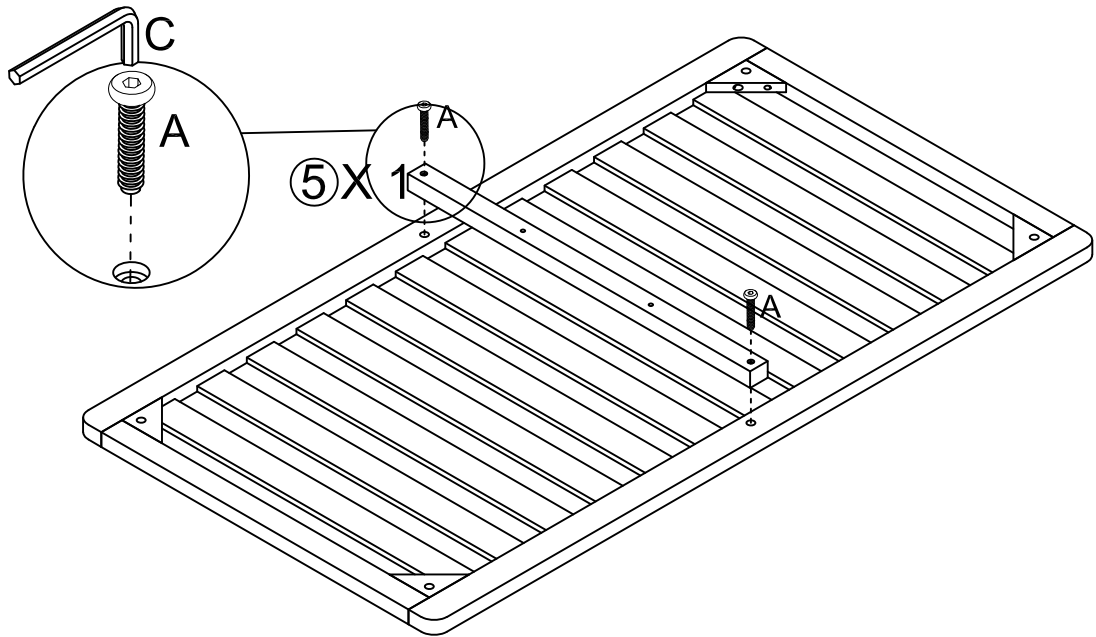
E X 24



Assembly

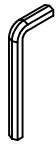
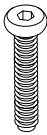
3

Secure the cross bar to the bottom of bed with screws.



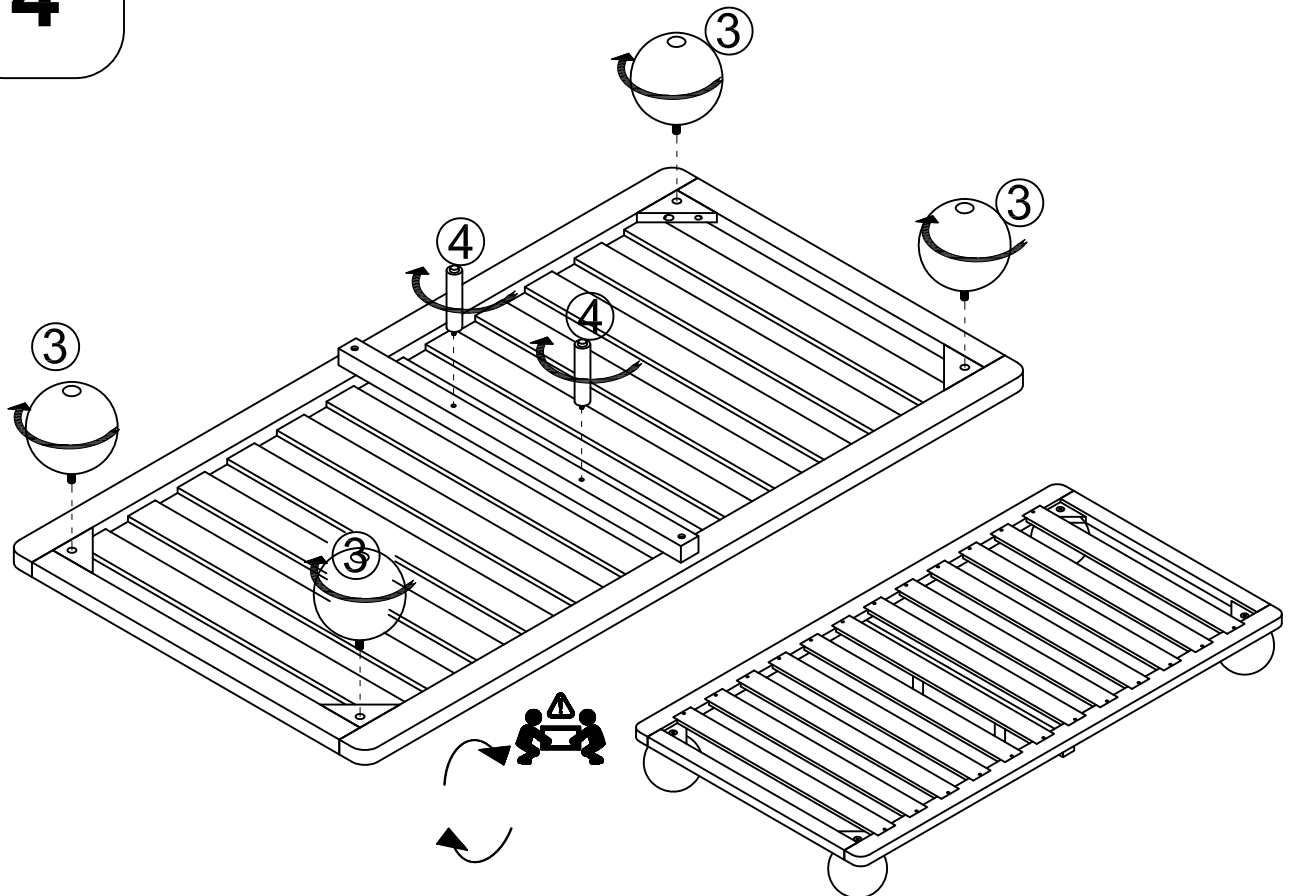
AX 2

CX 1



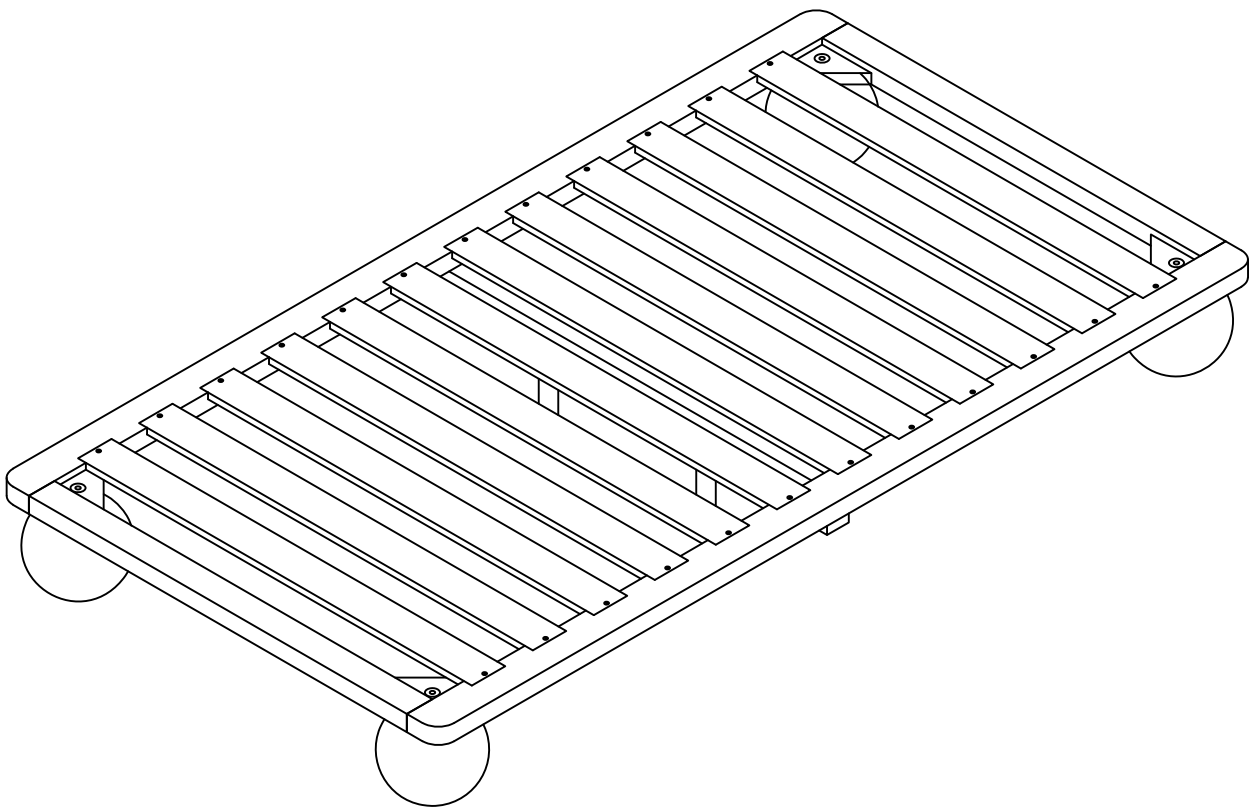
4

Screw all the legs in as shown below.
Adjust height of pads on part 4 as needed.



Assembly

5



CARE & MAINTENANCE

Congratulations and thank you for choosing Sacred Bundle product(s). The furniture you have purchased is constructed from high quality materials for strength and durability. Here are some tips on how you can preserve its beauty for a long time.

1. Do not expose furniture to direct heat sources, extreme changes in temperature or moisture. The bed should not be placed directly next to air-conditioning, outlets, fire places, radiators, space heaters, humidifiers, or dehumidifiers. Exposure to extreme variations of temperature and humidity can damage wood products.
2. Keep the cot out of direct sunlight. UV rays may fade colours and in some cases darken them. It can cause crazing or hair line cracks in the finish. Finishes will darken naturally over time and exposure to direct sunlight will hasten this natural process along with some wood darkening; this is not considered to be a quality defect.
3. Wipe up spills immediately with a soft, clean cloth.
4. Urine spills on furniture can cause discolouration.
5. Clean furniture by wiping the surface with a soft cloth dampened with water.
6. If necessary clean furniture using a mild soap solution and wipe clean with a soft cloth dampened with water and then dry with soft clean cloth.
7. Do not use strong household cleaners.
8. Always wipe in the direction of the grain in the wood do not wipe in a circular motion.
9. Avoid contact with sharp objects, or containers containing hot liquid.
10. When moving furniture do not drag always lift and place in position.
11. To remove any residue from assembly stickers, wipe off gently with a small amount of rubbing alcohol on a clean cloth.
12. In case of the appearance of mildew after storage, generously spray all affected areas with a mix of 1:10 part vinegar and water. Once the mix has been applied, let it sit for 10 minutes and wipe clean with a dry cloth. Place the affected parts outside in direct sunlight for 1 hour to air out and allow it to thoroughly dry.
13. Always check that the bed is free from damage before use. Do not use product if any damage is present.
14. Regularly check that all assembly fittings are always tightened properly and retighten as necessary.