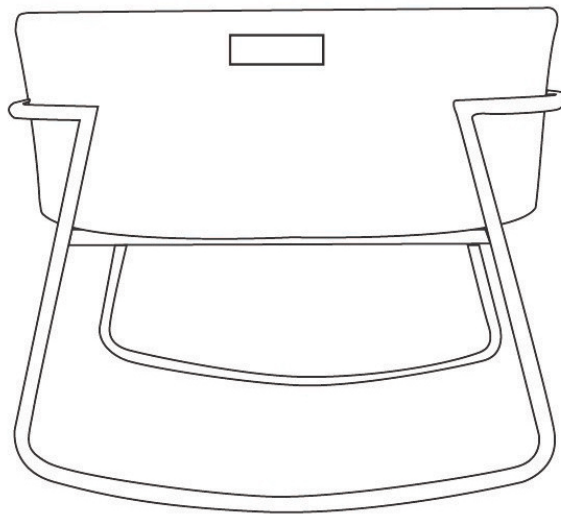


SACRÉDBUNDLE

Remi

Bedside Rocker



IMPORTANT

PLEASE READ THE INSTRUCTIONS CAREFULLY AND KEEP FOR FUTURE REFERENCE

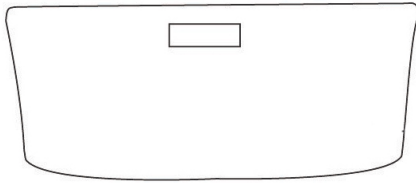
Sacred Bundle Pty Ltd. ABN 47631902479
5/108 Dover Drive, Burleigh Heads, QLD, 4220.
Phone: +61 4 34362219
+61 4 23688138
Email: bubinfo@sacredbundle.com.au
www.sacredbundle.com.au

Remi Bedside Rocker - BSR0001

Assembled Dimensions
860Lx 460D x 680H mm

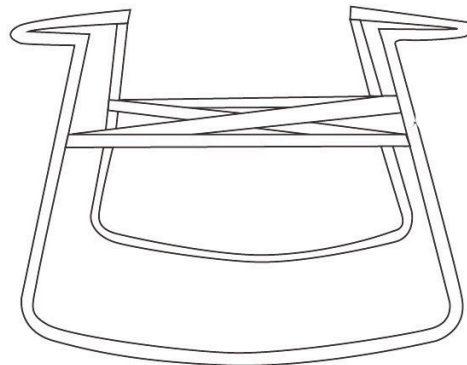
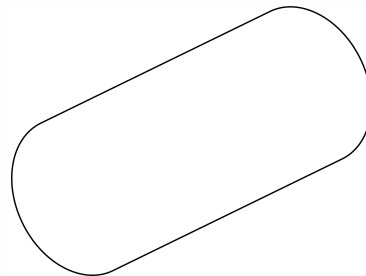
Materials: Natural rattan basket
Powder coated aluminum frame
Firm foam mattress and cotton cover

Parts List



X1 Basket

X1 Mattress

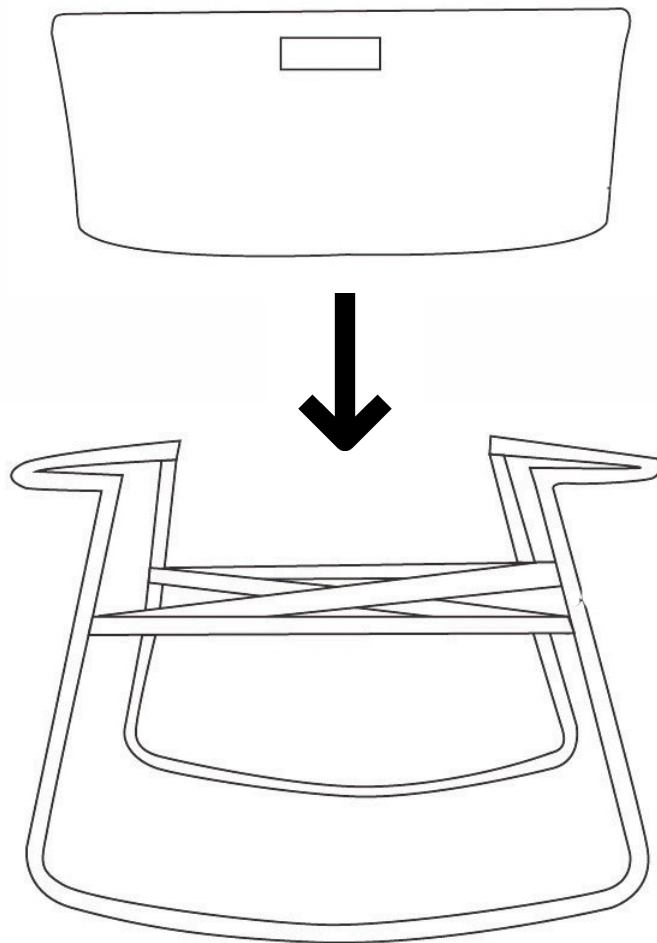


X1 Stand

Assembly

1

No assembly required. Place the basket on the stand with the opening facing up. Ensure mattress is placed flat into the basket.





WARNING

WARNING: FAILURE TO FOLLOW THESE WARNINGS AND INSTRUCTIONS COULD RESULT IN SERIOUS INJURY OR DEATH. ALWAYS READ AND FOLLOW INSTRUCTIONS FOR EACH PRODUCT. ALWAYS USE ALL REQUIRED PARTS. PERIODICALLY CHECK FOR LOSS, DAMAGED OR MISSING PARTS.

SUFFOCATION HAZARD -

Infants have suffocated:

- In gaps between an extra padding and side of a bassinet
- On soft bedding
- Use only pad provided by manufacturer. NEVER add a pillow, comforter or another mattress for padding

FALL HAZARD - To help prevent falls, do not use this product when the infant can roll approximately 3 months or 8KG, whichever comes first.

Always check that the basket is securely placed in the stand before each use.
Always check that the stand is placed on a flat level surface before each use.

- To reduce the risk of sudden infant death syndrome (SIDS), pediatricians recommend infants to be placed on their backs to sleep, unless otherwise advised by your physician.
 - Strings can cause strangulation! Do not place items with a string around the child's neck, such as hood strings or pacifier cords. Do not suspend strings over a bassinet or cradle or attach strings to toys.
 - If sheets are used with the pad, use only the one provided by the bassinet or cradle manufacturer or one specifically designed to fit the dimensions of the bassinet or cradle mattress.
 - DO NOT tuck blankets under the mattress as this will affect the shape and fit of the mattress.
-
- Do not use bassinet if any parts are missing or broken. Contact Sacred Bundle Pty Ltd for replacement parts and instructional literature if needed. Do not substitute parts.
 - When child is able to roll, the bassinet shall no longer be used.
 - Do not place bassinet near power points and heaters.
 - Do not place bassinet near windows where cords from blinds or drapes may strangle the child.
 - If refinishing, use a non-toxic finish specified for children's products.
 - Never use plastic shopping bags or other plastic film as mattress covers or pillow case as they can cause suffocation.
 - Do not drag the stand.
 - After your rocker has been assembled, store instruction sheet in a safe place for future reference.

CARE & MAINTENANCE

Congratulations and thank you for choosing Sacred Bundle product(s). The furniture you have purchased is constructed from high quality materials for strength and durability. Here are some tips on how you can preserve its beauty for a long time.

1. Do not expose furniture to direct heat sources, extreme changes in temperature or moisture. This item should not be placed directly next to air-conditioning, outlets, fire places, radiators, space heaters, humidifiers, or dehumidifiers. Exposure to extreme variations of temperature and humidity can damage wood products.
2. Keep the item out of direct sunlight. UV rays may fade colours and in some cases darken them. It can cause crazing or hair line cracks in the finish. Finishes will darken naturally over time and exposure to direct sunlight will hasten this natural process; this is not considered to be a quality defect.
3. Wipe up spills immediately with a soft, clean cloth.
4. Urine spills on furniture can cause discolouration.
5. Clean furniture by wiping the surface with a soft cloth dampened with water.
6. If necessary clean furniture using a mild soap solution and wipe clean with a soft cloth dampened with water and then dry with soft clean cloth.
7. Do not use strong household cleaners.
8. Always wipe in the direction of the grain in the wood do not wipe in a circular motion.
9. Avoid contact with sharp objects, or containers containing hot liquid.
10. When moving furniture do not drag always lift and place in position.
11. To remove any residue from assembly stickers, wipe off gently with a small amount of rubbing alcohol on a clean cloth.
12. In case of the appearance of mildew after storage, generously spray all affected areas with a mix of 1:10 part vinegar and water. Once the mix has been applied, let it sit for 10 minutes and wipe clean with a dry cloth. Place the affected parts outside in direct sunlight for 1 hour to air out and allow it to thoroughly dry.