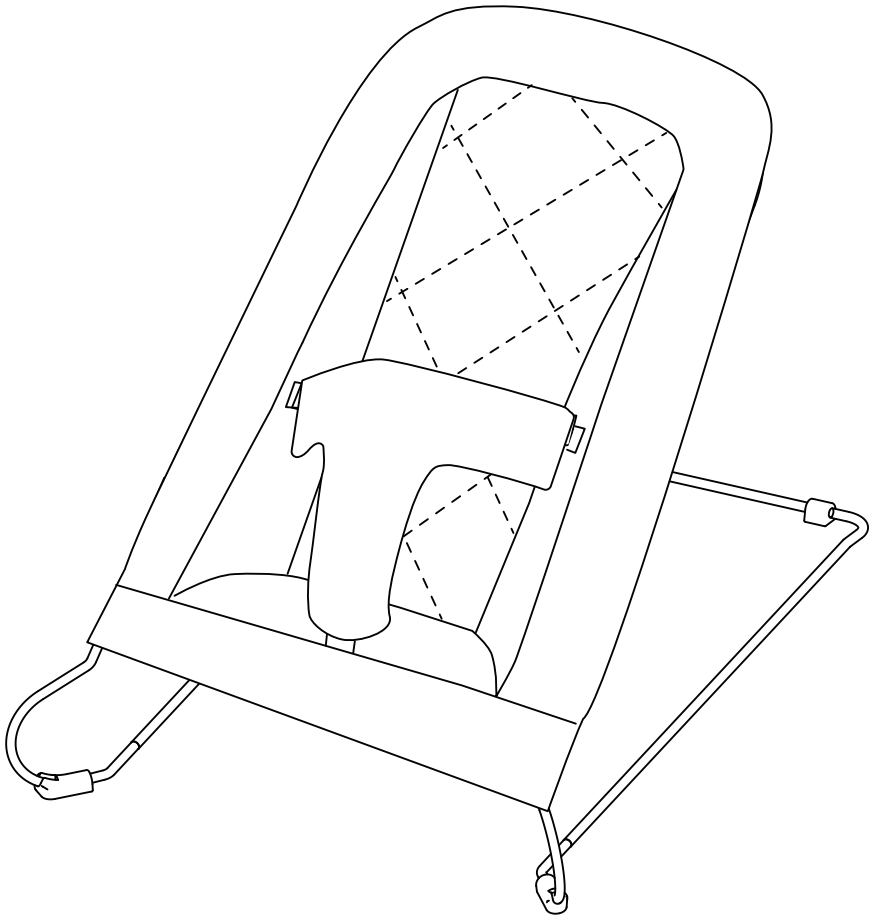


SACRÉD BUNDLE

LUXE ESSENTIALS | FOR YOUR MINI

LOTTIE BOUNCER



IMPORTANT!

READ CAREFULLY AND KEEP FOR FUTURE REFERENCE

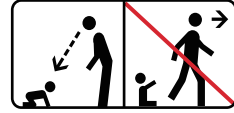


WARNING



SAFETY INSTRUCTIONS

- Do not use the product if any components are broken or missing
- **Powerful sway:** Make sure that older children are not allowed to rock the baby too forcefully
- **NEVER** leave baby unattended



Bouncer (Max 20 lbs / 9 kg)

- Do not use the bouncer once your child can sit unaided
- Keep the toy out of the reach of children when it is not firmly attached to the product (if applicable)



WARNING

FALL HAZARD: Babies have suffered skull fractures falling while in and from bouncer

- Use bouncer **ONLY** on floor, it is dangerous to use on an elevated surface e.g. table
- Child's activity may move the bouncer
- **NEVER** lift or carry baby in bouncer or fitted toy bar (if applicable)

SUFFOCATION HAZARD: Babies have suffocated when bouncers have tipped over on soft surfaces

- **NEVER** use on a bed, cushion or other soft surface
- **NEVER** leave baby unattended
- Child's activity may move the bouncer

To prevent falls and suffocation:

- **ALWAYS** use restraints. Adjust to fit snugly even if baby falls asleep.
- **STOP** using bouncer when baby starts trying to sit up or has reached 20 lbs, whichever comes first



WARNING



IMPORTANT!

Before each use, inspect this product for damaged hardware, loose joints, missing parts or sharp edges. DO NOT use if any parts are missing or broken. Contact Sacré Bundle™ for replacement parts and instructions if needed. Never substitute parts

Please read these instructions before use of this product

Product features and decorations may vary from photographs

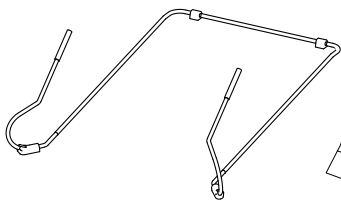
The Lottie Bouncer by Sacré Bundle

This bouncer has been ergonomically designed to provide your child with the correct head and back support required for the first years of their development

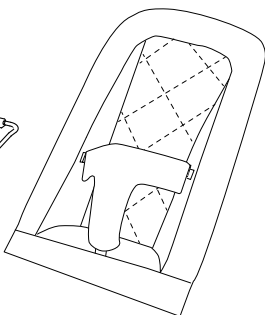
Until your baby has learned to sit up and walk on their own, use this product as a bouncer (minimum 8 lbs / 3.5 kg)

Please read the rest of this manual to view assembly and care instructions

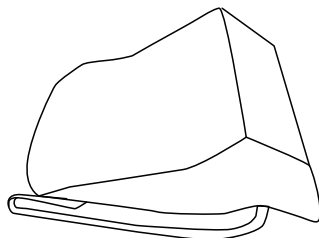
ALL PARTS



FRAME BASE
X1

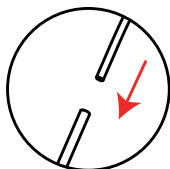
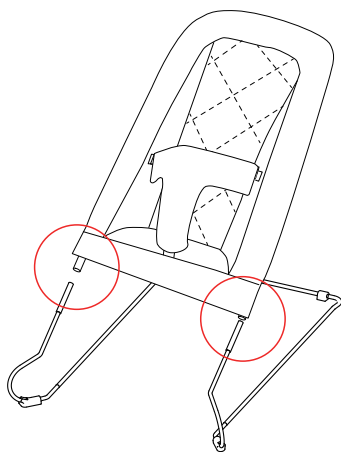


SEAT WITH BACKREST FRAME
X1

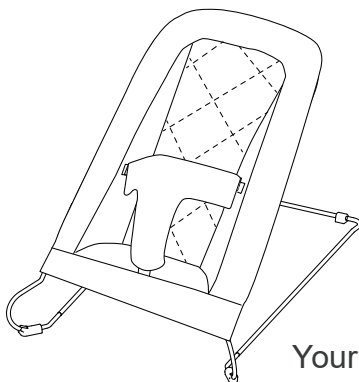


CARRY BAG
X1

ASSEMBLY

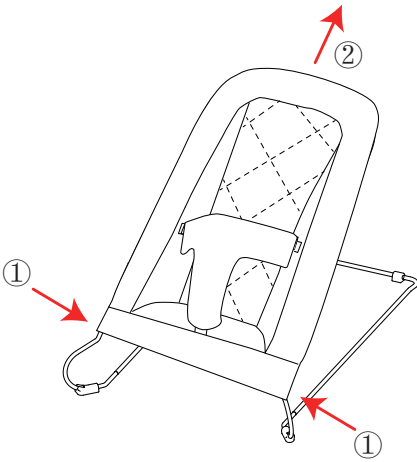


Insert the seat frame into the frame base sockets, ensure both sides are pushed in all the way



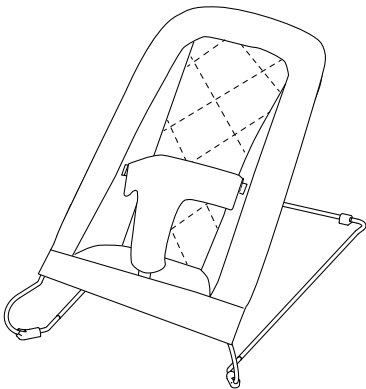
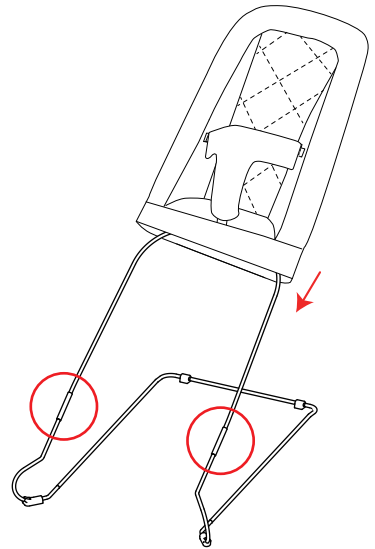
Your bouncer is now assembled.
Time for your little one to enjoy some bounce time

REMOVAL & ASSEMBLY OF SEATPAD



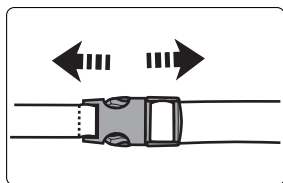
Squeeze the frame base in arrow 1 direction.
Remove the seat by pulling it up and sliding it off the frame.

Slide seatpad over the top of the metal frame.
Pull down tight until the seatpad skirt covers both joins.

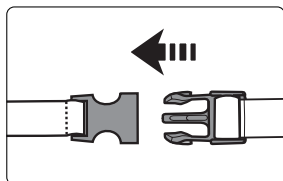


Complete.

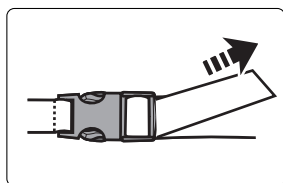
FUNCTIONS



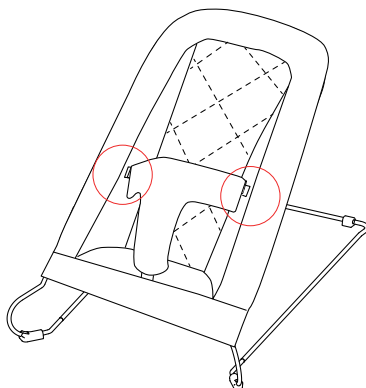
①



②



③



1. Before placing baby in bouncer, you should unbuckle the waist belt.
2. Once baby is in the bouncer, fasten the waist belt.
3. Adjust the waist belt for a firm yet comfortable fit.

CARE GUIDE

Seat pad

Wash separately, cold gentle wash.

Do not tumble-dry. Check the resistance of the fabric and the stitching after cleaning.

Frame

Wipe the frame using warm water and a mild detergent.

Ensure the product is fully dry before use or storage.

SACRÉD BUNDLE

LUXE ESSENTIALS | FOR YOUR MINI

Thank You!

Big hugs from all of us at SacréD Bundle!

Please let us know if there is anything we can help you with, we love to hear from our customers.

Don't forget to tag us and share the love of your little enjoying their Lottie bouncer.

@sacredbundle

www.sacredbundle.com.au

bubinfo@sacredbundle.com.au

5/109 Dover Drive, Burleigh Heads ,Queensland 4220,Australia