

## EVERGREEN DRILLMATE ROTABROACH CUTTERS

Part No.	Description	Net Price
1080	DMHB01 Kit (includes 7/16" through 3/4" cutters)	219.84
1081	DMHB01 7/16" Cutter	32.80
1082	DMHB01 1/2" Cutter	34.80
1083	DMHB01 9/16" Cutter	39.75
1084	DMHB01 5/8" Cutter	41.50
1085	DMHB01 3/4" Cutter	45.50
1086	DMHB01 7/8" Cutter	52.00
1087	DMHB01 1" Cutter	59.00
1090	HBD PIN (1/8" Drive Pin Pilot)	21.20



Kit Part No. 1080



Drillmate Rotabroach

## EVERGREEN CARBIDE ANNULAR CUTTERS (2" DOC)

Part No.	Description	Net Price
867	7/16"	61.25
868	17/32"	61.25
932	9/16"	61.25
933	5/8"	61.25
869	11/16"	61.25
934	3/4"	61.25
935	7/8"	61.25
936	15/16"	61.25
937	1"	66.50
938	1 1/16"	66.50
1088	Pilot	5.78
11016	Arbor & Hex Key	56.20
705	Lubricant Stick	4.35

Evergreen Carbide Annular 2" Depth of Cut



## HOUGEN ROTACUT SHEET METAL HOLE CUTTERS (1/4" DOC)

Part No.	Description	Net Price
11104	5/16"	8.60
11108	3/8"	10.30
11112	7/16"	12.90
11116	1/2"	13.50
11120	9/16"	14.80
11124	5/8"	15.65
11128	11/16"	17.85
11132	3/4"	17.85
11083	3 Pack Pilots	6.60
	Kit w/ arbor, punch, (2) pilots, & 7 cutters	
11075	5/16" - 3/4"	96.00
11088	Arbor	17.80
705	Lubricant Stick	4.80



Hougén Rotacut 1/4" Depth of Cut

### WARRANTY

The Evergreen Tool Company Drillmate and VAC-FORCE 2000 are warranted to you as the original purchaser for one year from date of delivery against defects in workmanship and material. The Evergreen Tool Company will replace or repair any metal part which, in its opinion, is defective and has not been tampered with or subjected to misuse, abuse or exposed to highly corrosive conditions or has been modified except as expressly approved by Evergreen Tool Company, provided that written notice of alleged defect shall have been given to the Evergreen Tool Company within 30 days after discovery thereof and prior to the expiration of one year after delivery, and further provided that if the Evergreen Tool Company so instructs, such article or part thereof, with proof of purchase, is promptly returned to Evergreen Tool Company with shipping charges prepaid. This warranty does not include reimbursement for the original purchaser removal, set up, assembly or reinstallation of the components.

The above warranty is the only one given by Evergreen Tool Company concerning the Drillmate and VAC-FORCE 2000 and shall be limited to the purchase price thereof. The Evergreen Tool Company does not assume or authorize any other person to assume for it any additional liability.

For repairs, parts and service of the Evergreen Tool Company Drillmate and VAC-FORCE 2000, contact the Evergreen Tool Company, 715-582-0973, or email sales@evergreentool.com.

### TERMS OF SALE

1. Net 30 days.
2. FOB Factory at Peshtigo, WI USA.
3. All prices are subject to change without notice and are subject to federal, state and local taxes where they are in effect.
4. Delivery is based on availability of labor and materials and is subject to delays in delivery without liability to Evergreen Tool Company from all causes beyond its control.
5. Title passed to buyer upon delivery to carrier.
6. Prices do not include any applicable taxes.
7. Evergreen Tool may, without liability, withhold delivery for financial or credit reasons.

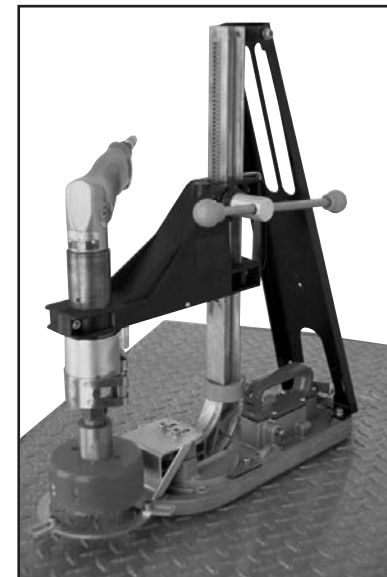
## EVERGREEN TOOL COMPANY, INC.

## PRICE LIST

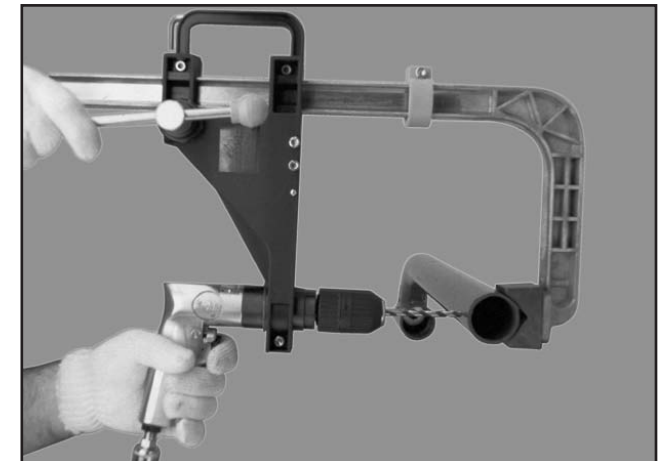
Effective May 1, 2017  
Subject to terms and conditions



EVERGREEN PIPE-VAC



EVERGREEN VAC-PAD WITH SHORTENED LEG



EVERGREEN DRILLMATE PORTABLE DRILL PRESS



EVERGREEN VAC-FORCE 2000

Universal Vacuum Based Hole Cutting Machine for the professional who wants real savings and productivity in virtually all environments and industries.



900 Elm Street, Peshtigo, W 54157 USA

1-715-582-0973  
www.evergreentool.com  
Email: sales@evergreentool.com

## EVERGREEN DRILLMATE DM-100A

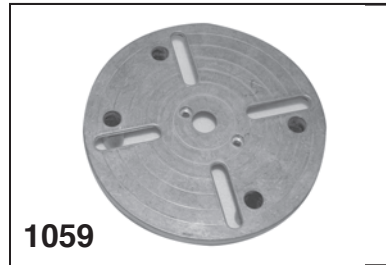
Part No.	Description	Net Price
1049	<b>DRILLMATE DM-100A</b> includes 46 mm Neck with Shim Kit, V-Block and Channel Stem Adapter <i>(Drill Motor sold seperately)</i>	176.00

### ACCESSORIES

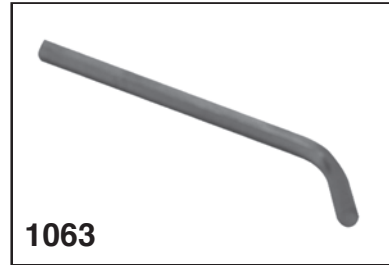
Part No.	Description	Net Price
1059	DM 1-09 Worktable	53.50
1053	DM 1-03 Replacement Gear	18.80
1063	DM 1-13 5 mm Alley Key	2.80
1069	DMSK100 Plastic Shim Kit (4 Shims)	9.80
1065	DM 1-14 Nut & Bolt Assembly	1.00
1052	DM 1-2A (46 mm) Carriage	73.00
1060	Vee Block (DM 1-10)	12.00
1061	45 Degree Adapter for Worktable	31.40
1062	Channel Adapter (DM 1-12)	12.00



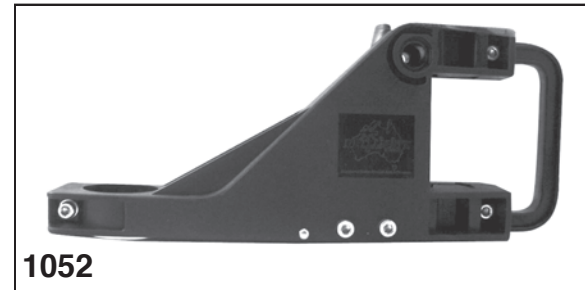
1049



1059



1063



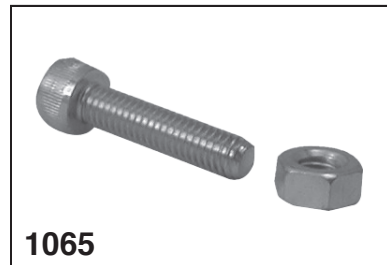
1052



1053



1061



1065



1069



1060

## EVERGREEN DRILLMATE SHIM RINGS

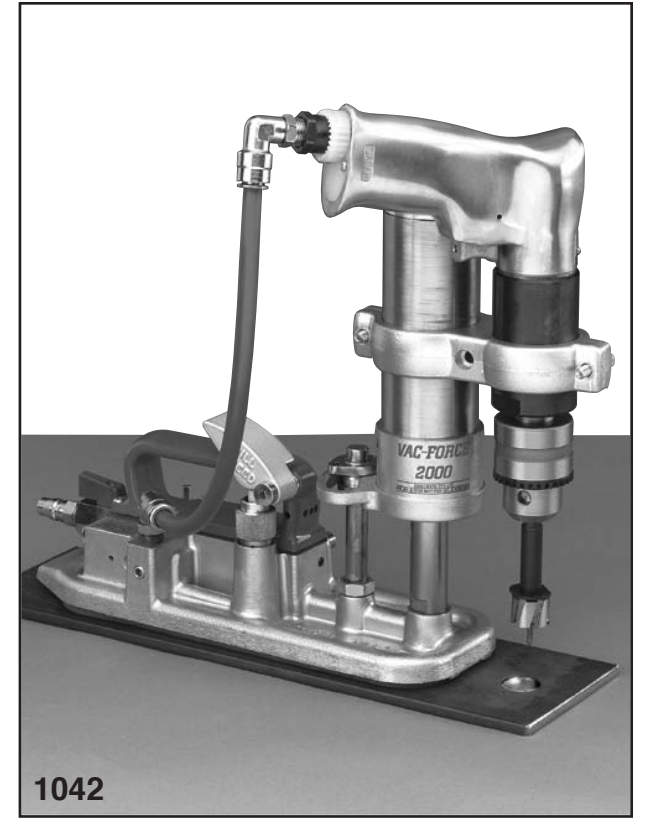
(used with Part No. 1042 or Part No. 1049)

Part No.	Description	Net Price
1071	44.5 mm (1.75") Aluminum Shim Ring	12.00
1072	38 mm (1.51") Aluminum Shim Ring	12.00
1073	43 mm (1.69") Aluminum Shim Ring	12.00
1074	42 mm (1.65") Aluminum Shim Ring	12.00
1075	41 mm (1.61") Aluminum Shim Ring	12.00

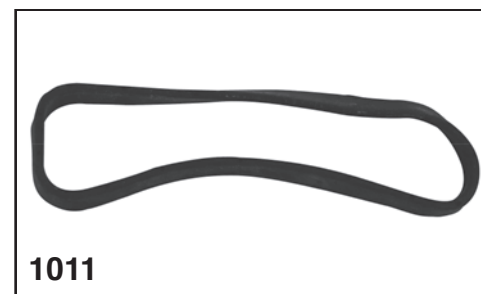
## EVERGREEN VAC-FORCE

Part No.	Description	Net Price
1042	<b>VAC-FORCE 2000 VF-002</b> Modified with Feed Stop <i>(Drill Motor sold seperately)</i>	1245.00
1115	MEGA-PAD 17½" x 9¾"	825.00
1114	VAC-PAD with Shortened Leg & Brace	960.00
1032	VAC-FORCE 2000 PV Pipe Vac	416.50
1113	VAC-PAD with Steel Plate	767.00

Part No.	Photo No.	Description	Net Price
1011		VF-071 Vacuum Seal	52.00
1029		VF-089 Extended Figure 8 Bracket	64.00
1030		VF-090 Offset Extended Figure 8 Bracket	64.00
1033		VFA 2000 Arbour	241.50
1002		VF-062 Air Supply Control Valve	24.50
978		VF-038 Std. Figure 8 Drill Clamp	94.50



1042



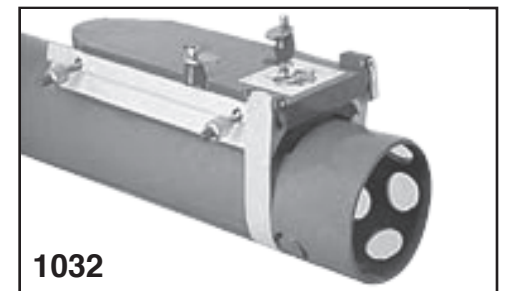
1011



1029



1030



1032



1033



1114



1113