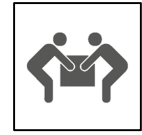
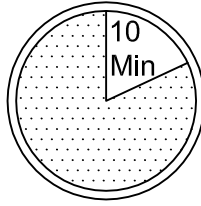


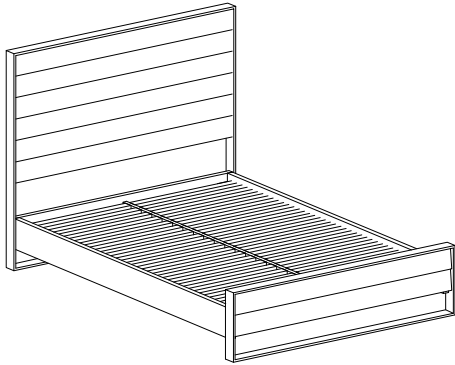


Please retain this assembly instruction for future use.



This assembly require two people

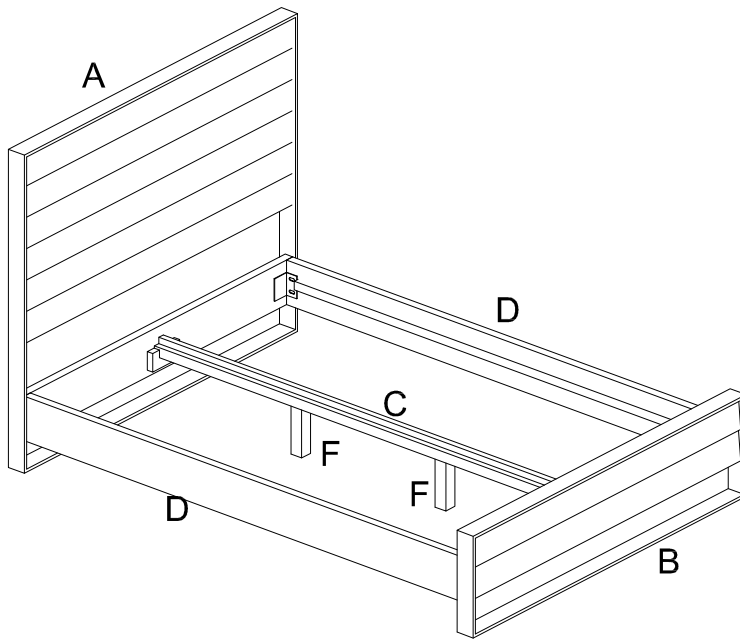
## Bed Assembly



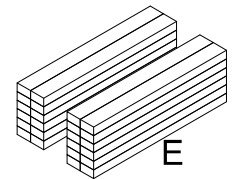
PLEASE READ this sheet prior to assembly to familiarize yourself with the various stage of construction. Carefully open the pack supplied and check the contents against the part and fittings check list.

Do not destroy any of the packing until you are certain that you have all the necessary parts for the assembly.

### VISUAL IDENTIFICATION & FITTINGS

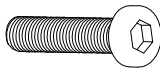




ITEM	Description	Qty
A	Headboard	1
B	Footboard	1
C	Center Rails	1
D	Slide rails	1
E	Slats	2SET
F	Center Leg	2

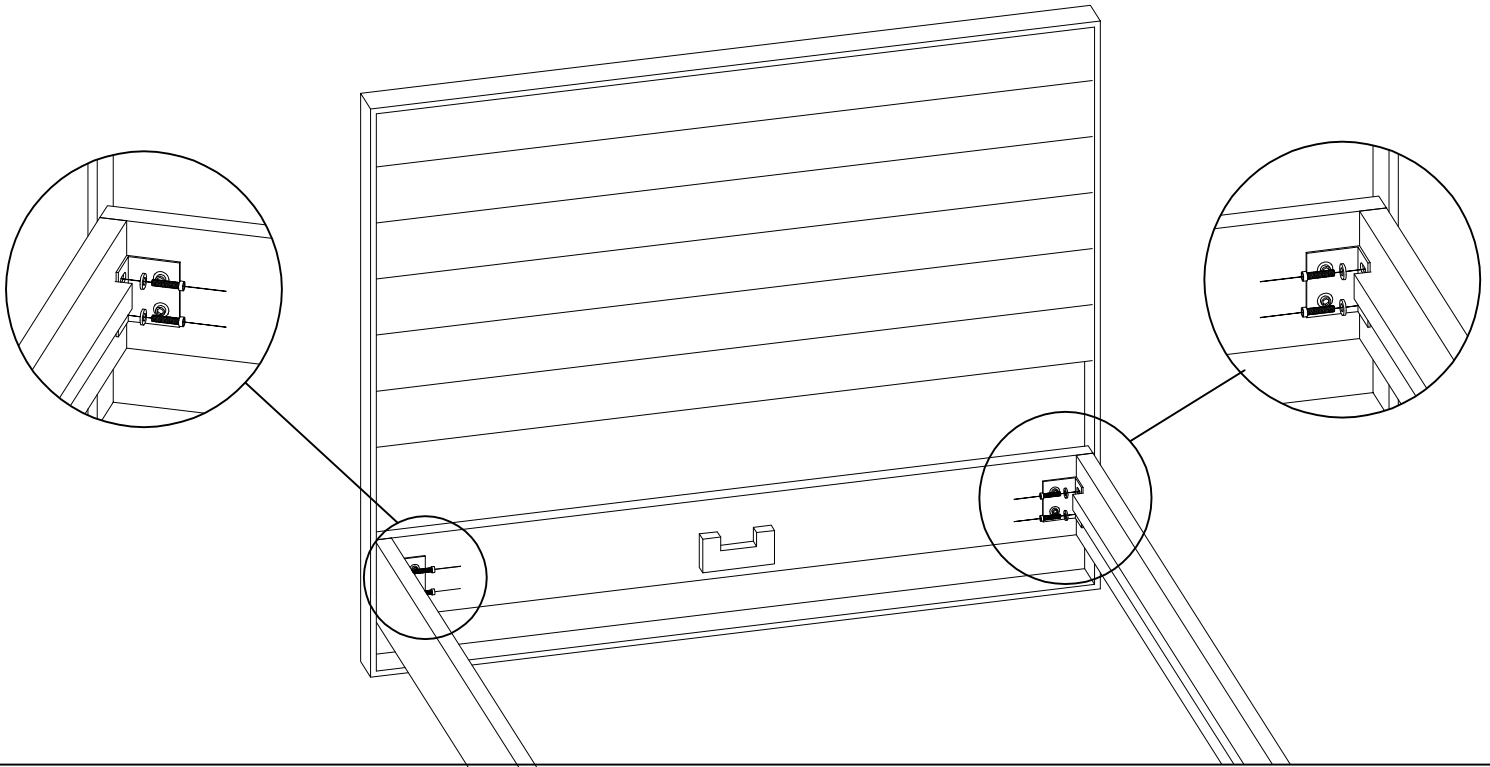


### CARE & MAINTENANCE

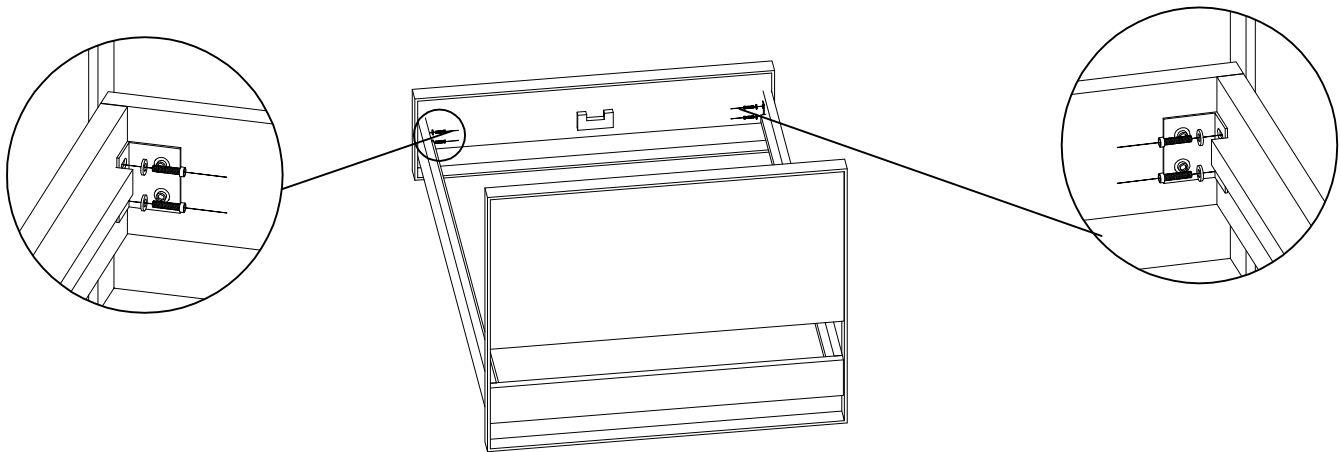
To maintain the appearance of your unit, Clean regular dusting with a soft cloth will be adequate. For grime stains, wipe with a damp cloth and mild detergent.

Sr. No.	Description	Qty
1	 Allen bolt	08
2	 Washer	08
3	 Allen key	01

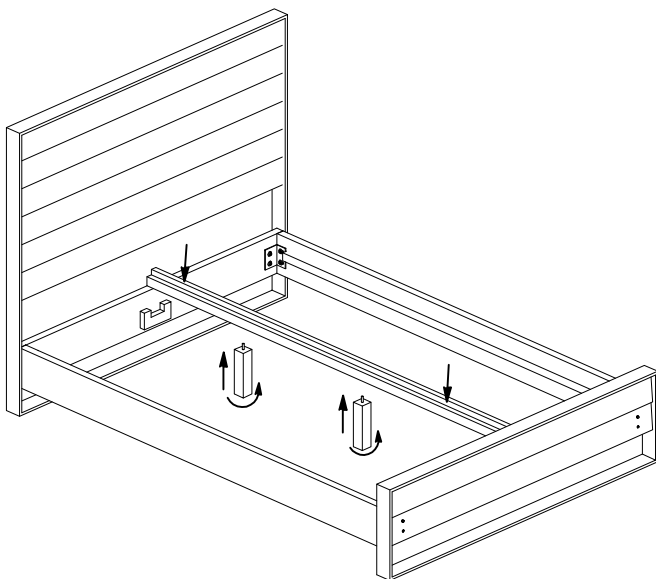
① Assemble part "D" with part "A"



② Assemble part "D" with part "B"

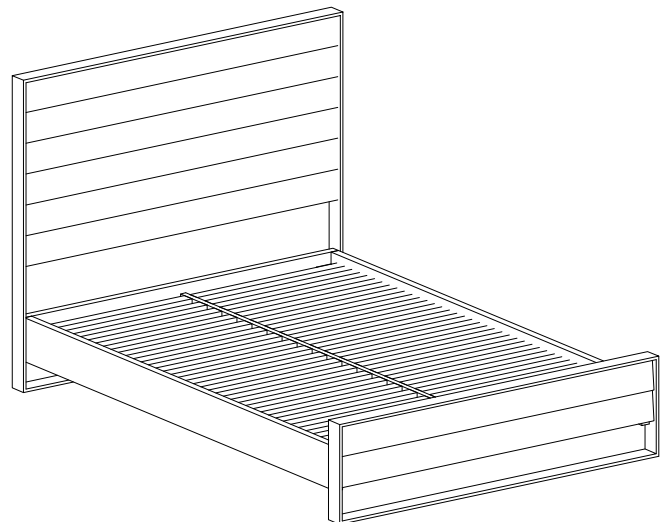


③



Fix both center legs "F" on center support "C".  
Place the center support "C" by matching the the brackets on head board & foot board

④



Place the slats "G" in slot, proceeded on side rail & center support