

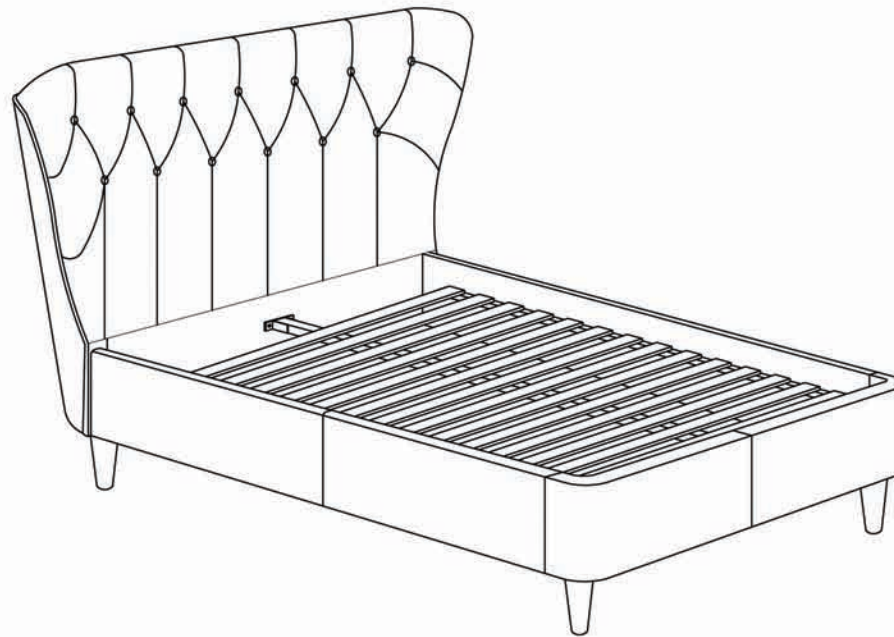
MOE'S

home collection

ASSEMBLY INSTRUCTIONS.

MADELAINE BED KING

RN-1065-16



THANK YOU FOR YOUR PURCHASE!

PARTS AND HARDWARE.



Feet

① X 4



Headboard

A X 1



Footboard

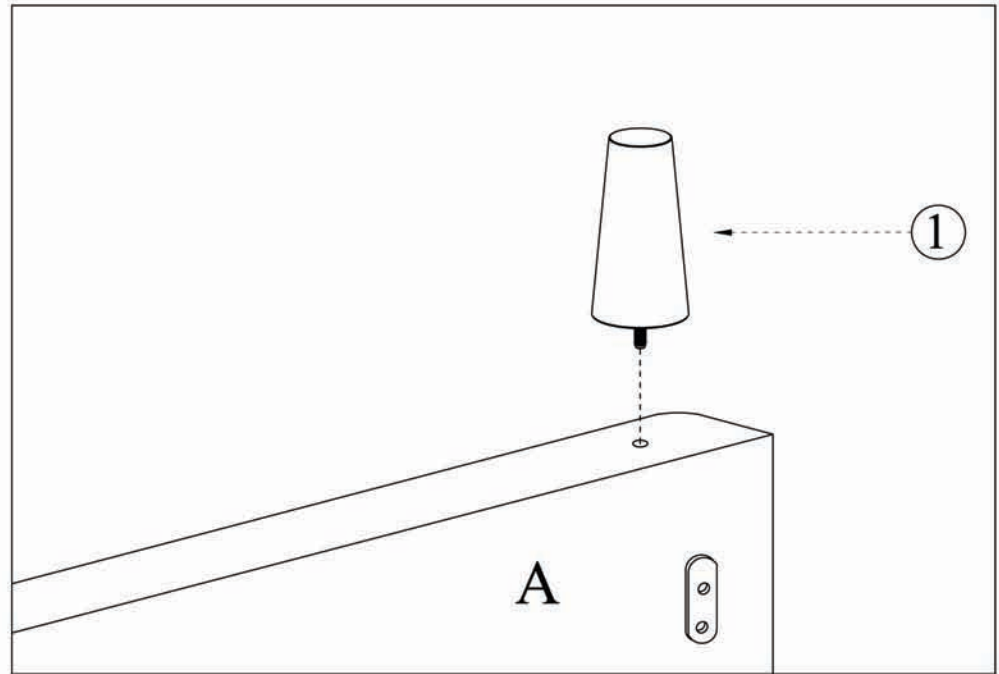
B X 1

NOTES.

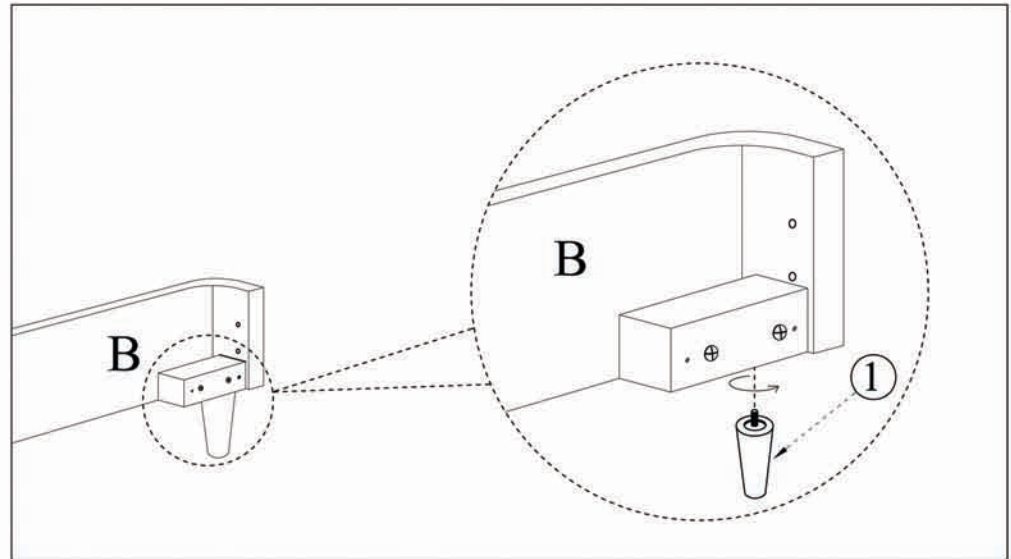
Thank you for purchasing this quality product! Be sure to check all packing material careful for small part that may have come loose inside the carton during shipping.

CAUTION: The item is heavy, assembly should be performed by two people.











STEP 1.



STEP 2.



PARTS AND HARDWARE.

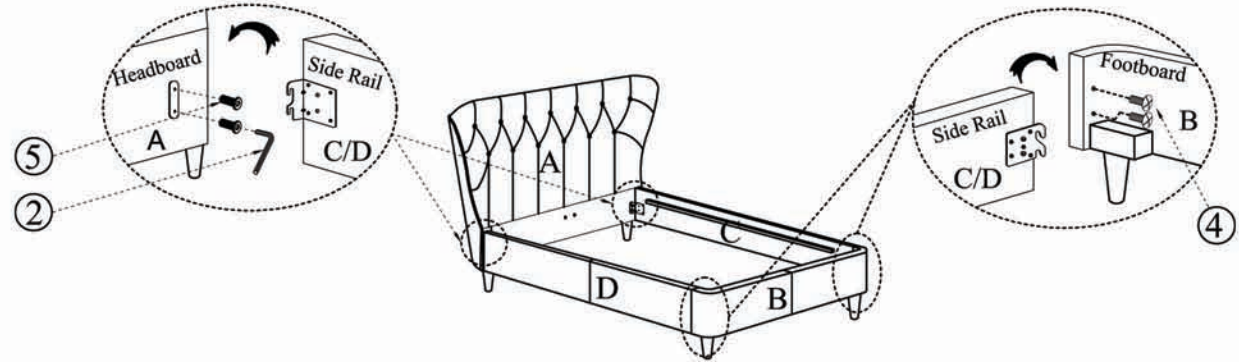
	
Allen Key	Washers (m8)
② X 1	③ X 4
	
Bolts(m8*20)	Gold Bolts (m8*18)
④ X 4	⑤ X 4
	
Brackets	Bolts (m8*50)
⑥ X 2	⑦ X 2
	
Support legs	Side Rail (R)
⑧ X 2	C X 1
	
Side Rail (L)	Centre Rail
D X 1	E X 1

NOTES.

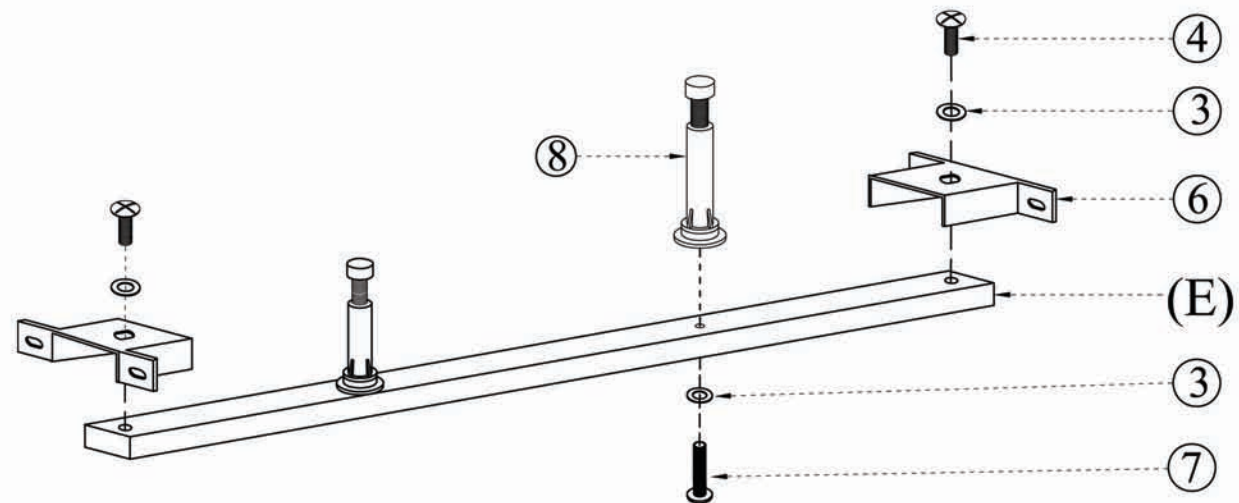
Thank you for purchasing this quality product! Be sure to check all packing material careful for small part that may have come loose inside the carton during shipping.

CAUTION: The item is heavy, assembly should be performed by two people.

STEP 3.



STEP 4.



PARTS AND HARDWARE.



Washers (m8)

③ X 4



Bolts(m8*20)

④ X 4



Screws(m8*32)

⑨ X 42



Slats

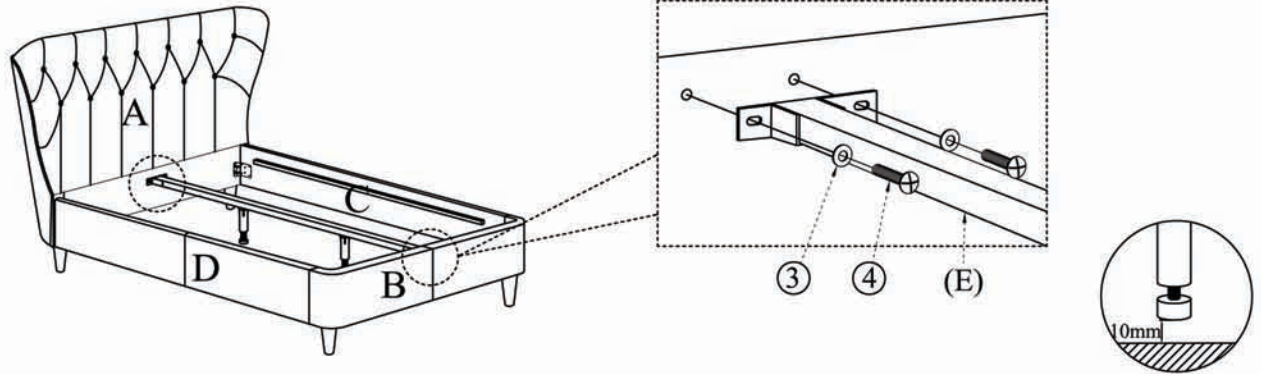
F X 1

NOTES.

Thank you for purchasing this quality product!
Be sure to check all packing material careful for small part that may have come loose inside the carton during shipping.

CAUTION:The item is heavy, assembly should be performed by two people.

STEP 5.



STEP 6.

