

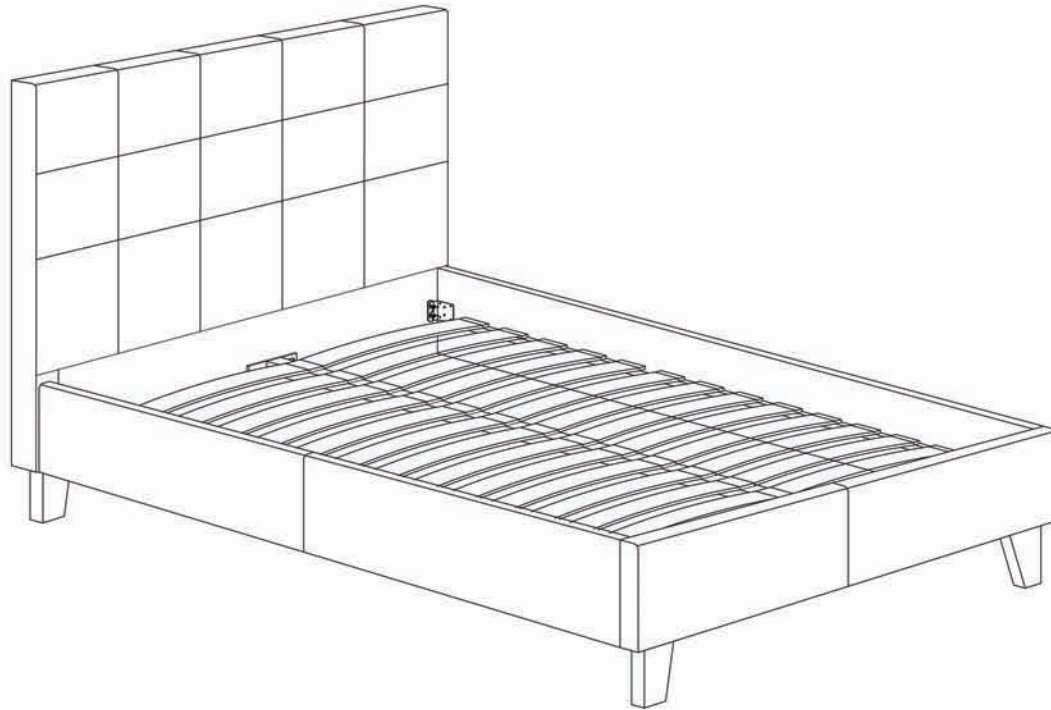
MOE'S

home collection

ASSEMBLY INSTRUCTIONS.









ELIZA QUEEN BED LIGHT GREY FABRIC

RN-1020-29



THANK YOU FOR YOUR PURCHASE!

PARTS AND HARDWARE.

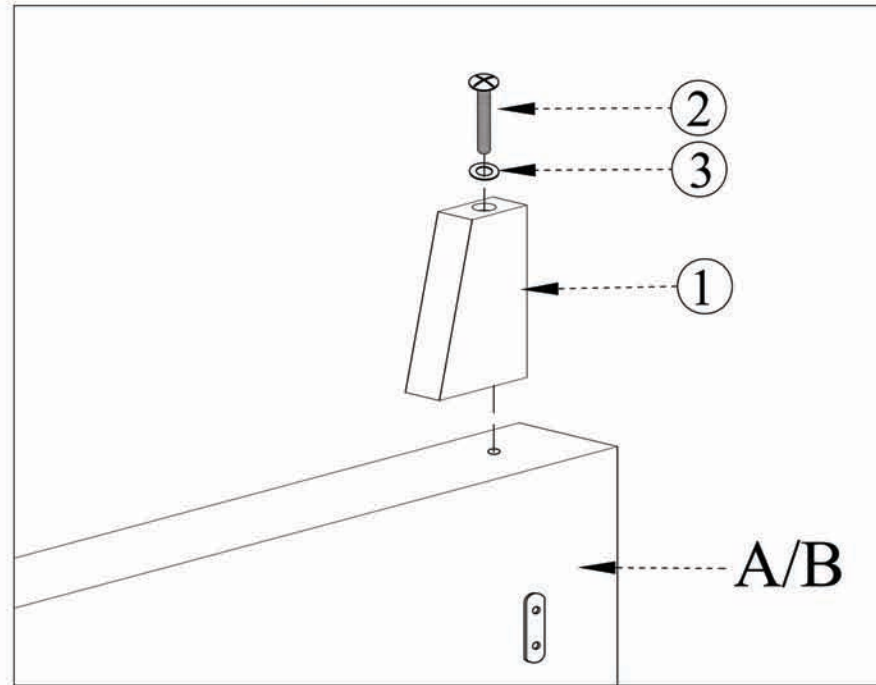
	
Feet ① X 4	Bolts (m8*90) ② X 4
	
Washers (m8) ③ X 8	Gold Bolts (m8*18) ④ X 8
	
Allen Key (m5) ⑤ X 1	Headboard Ⓐ X 1
	
Footboard Ⓑ X 1	Side Rails Ⓒ X 2

NOTES.

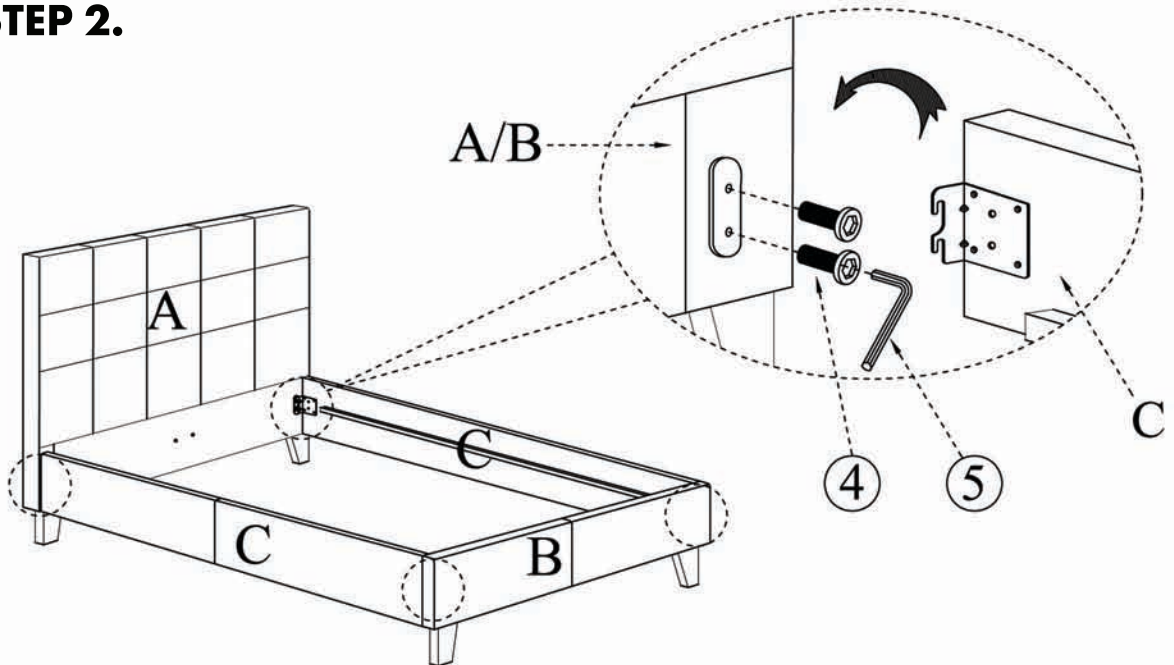
Thank you for purchasing this quality product! Be sure to check all packing material careful for small part that may have come loose inside the carton during shipping.

CAUTION: The item is heavy, assembly should be performed by two people.







STEP 1.



STEP 2.



PARTS AND HARDWARE.

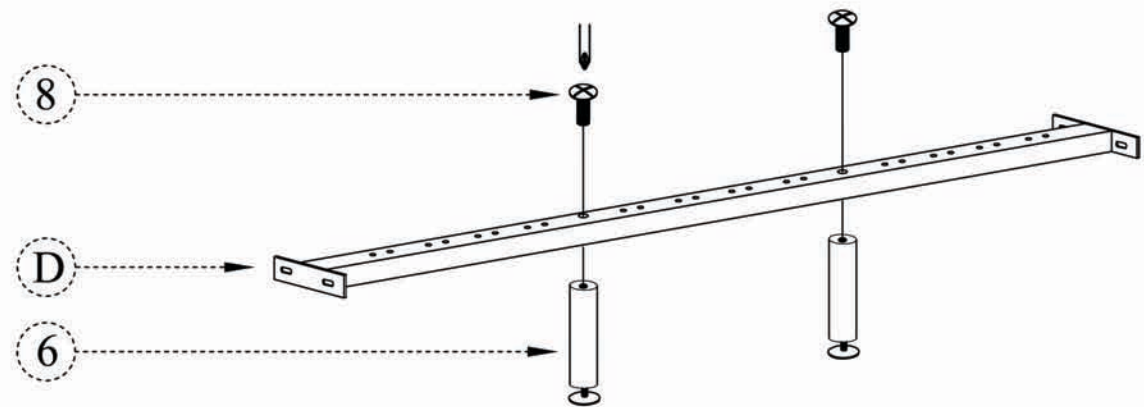
	
Plastic feet ⑥ X 2	Bolts (m8*20) ⑦ X 4
	
Bolts (m8*25) ⑧ X 2	Bolts (m6*35) ⑨ X 2
	
Center Rail ④ X 1	Cross Rail ⑤ X 1

NOTES.

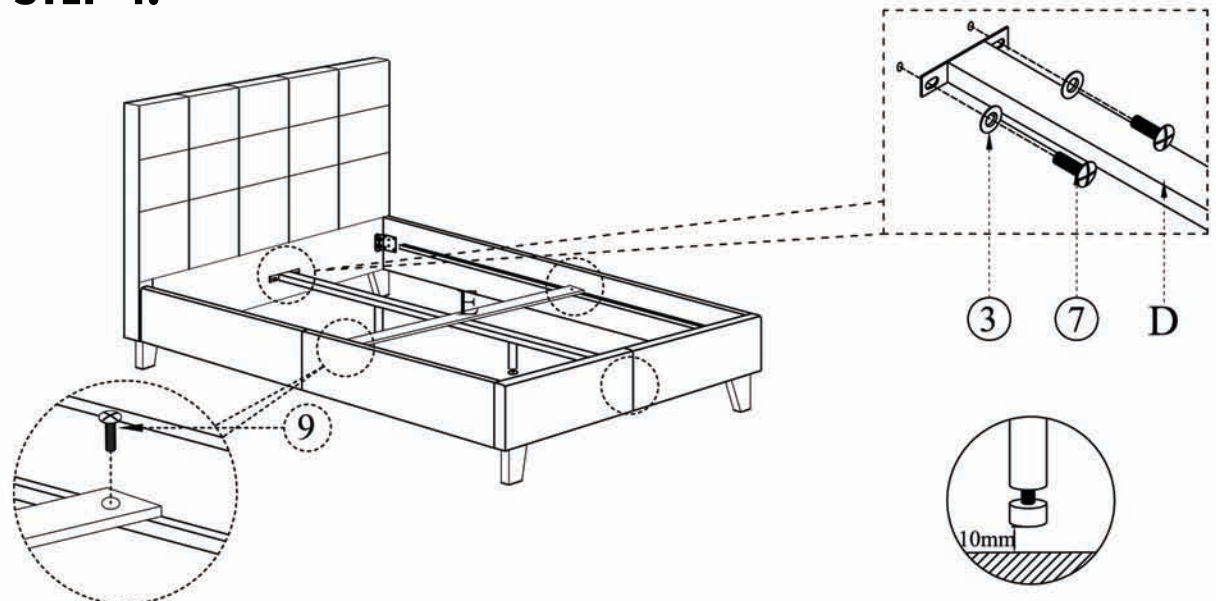
Thank you for purchasing this quality product! Be sure to check all packing material careful for small part that may have come loose inside the carton during shipping.

CAUTION: The item is heavy, assembly should be performed by two people.

STEP 3.



STEP 4.



PARTS AND HARDWARE.



Center plastic caps(Big)

⑩ X 12



End plastic caps(Small)

⑪ X 24



Slats

⑫ X 24

NOTES.

Thank you for purchasing this quality product! Be sure to check all packing material careful for small part that may have come loose inside the carton during shipping.

CAUTION: The item is heavy, assembly should be performed by two people.

STEP 5.

