

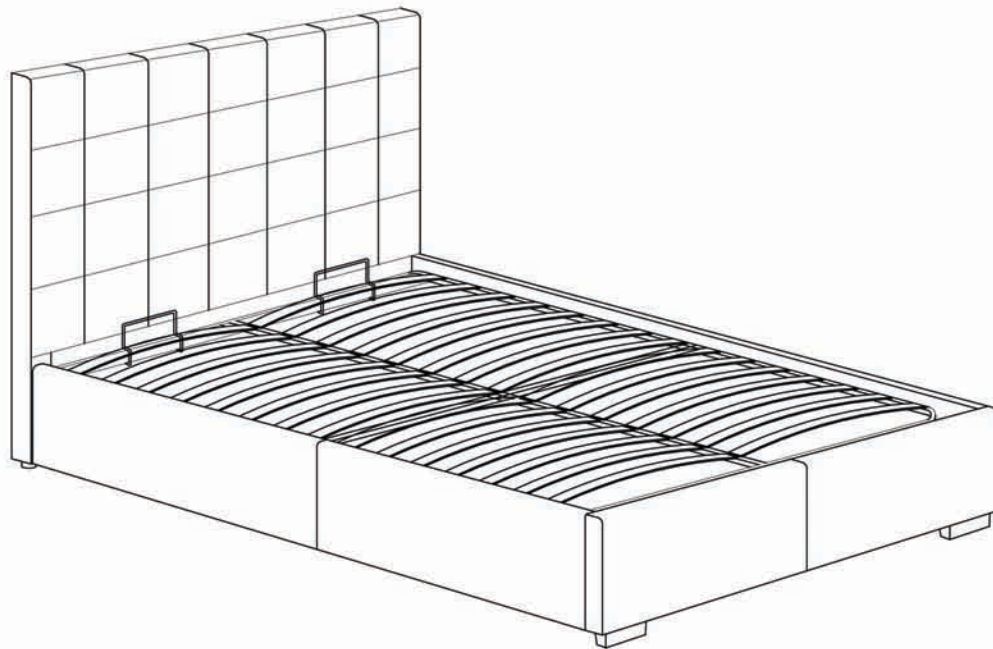
MOE'S

home collection

ASSEMBLY INSTRUCTIONS.

BELLE STORAGE BED KING CHARCOAL FABRIC

RN-1001-25



THANK YOU FOR YOUR PURCHASE!

PARTS AND HARDWARE.



①. x 2pcs



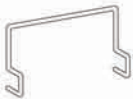
(Ø8*80)

②. x 4pcs



(Ø8)

③. x 8pcs



④. x 2pcs

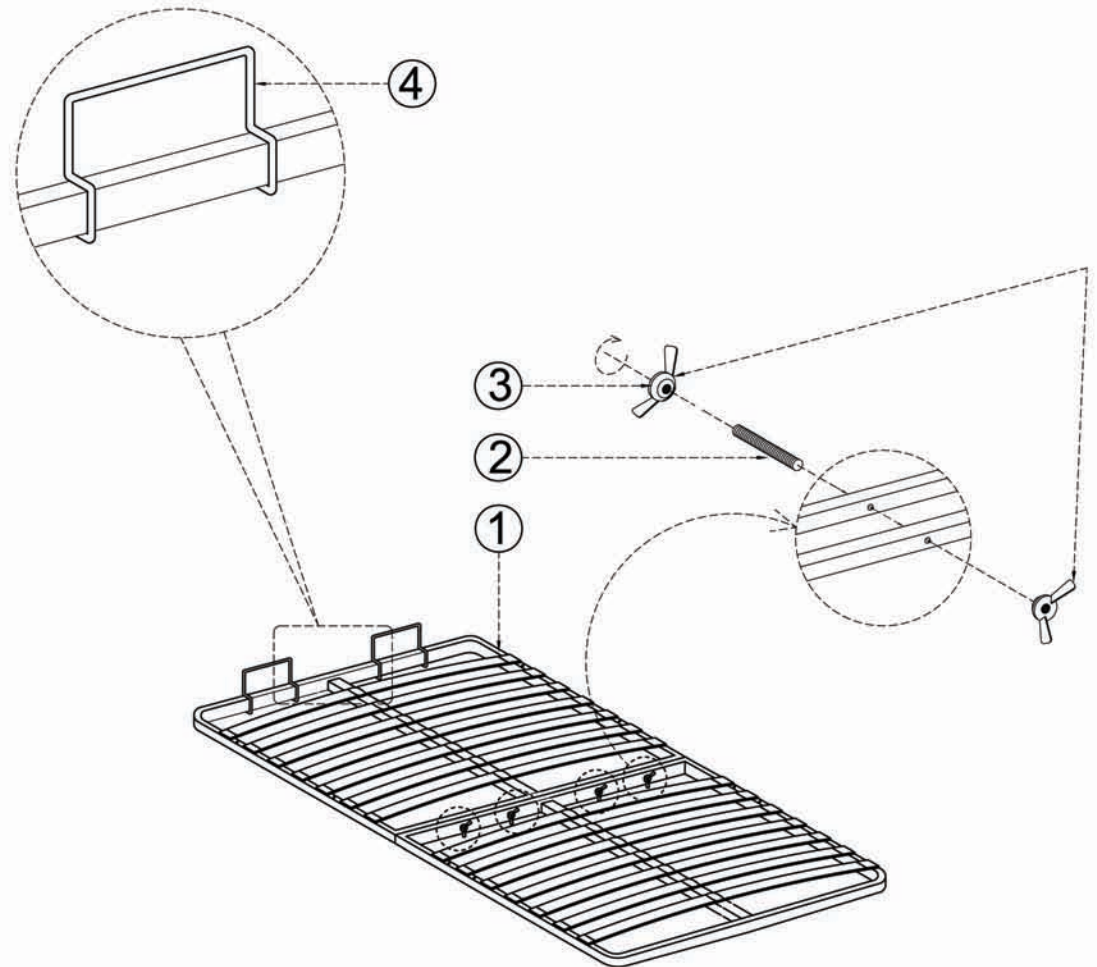
NOTES.

Thank you for purchasing this quality product!
Be sure to check all packing material careful
for small part that may have come loose
inside the carton during shipping.

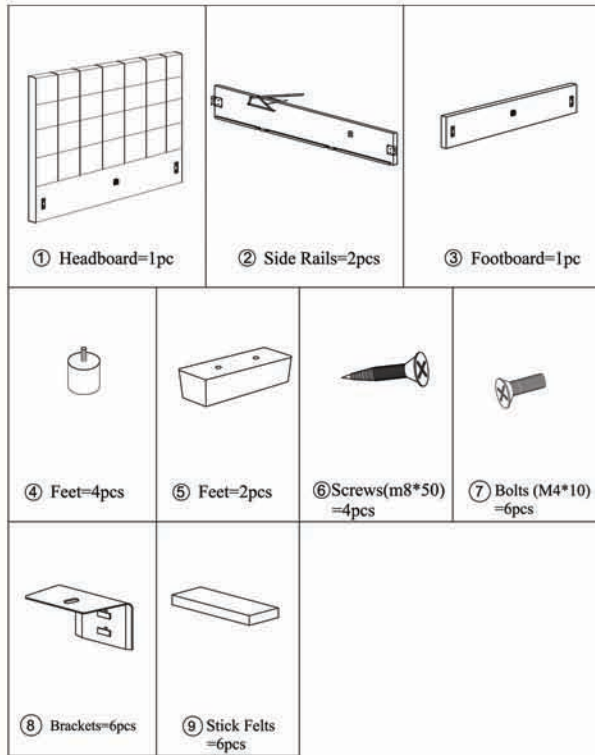
CAUTION: The item is heavy, assembly
should be performed by two people.

STEP 1.

Place bed slats in reverse position, tighten both
slats using washers and "butterfly" bolts.



PARTS AND HARDWARE.

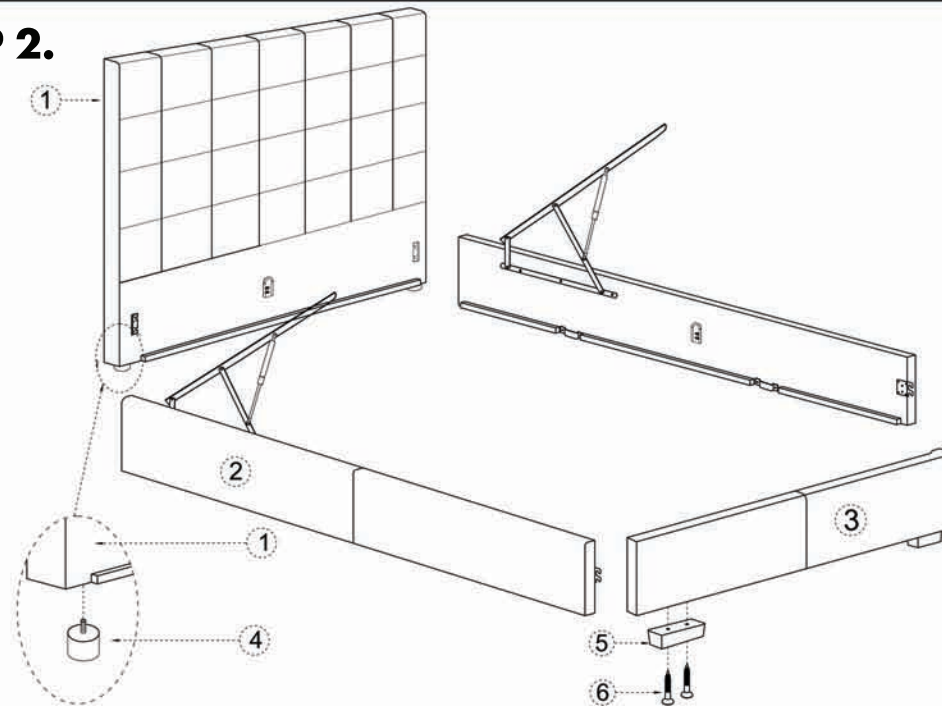


NOTES.

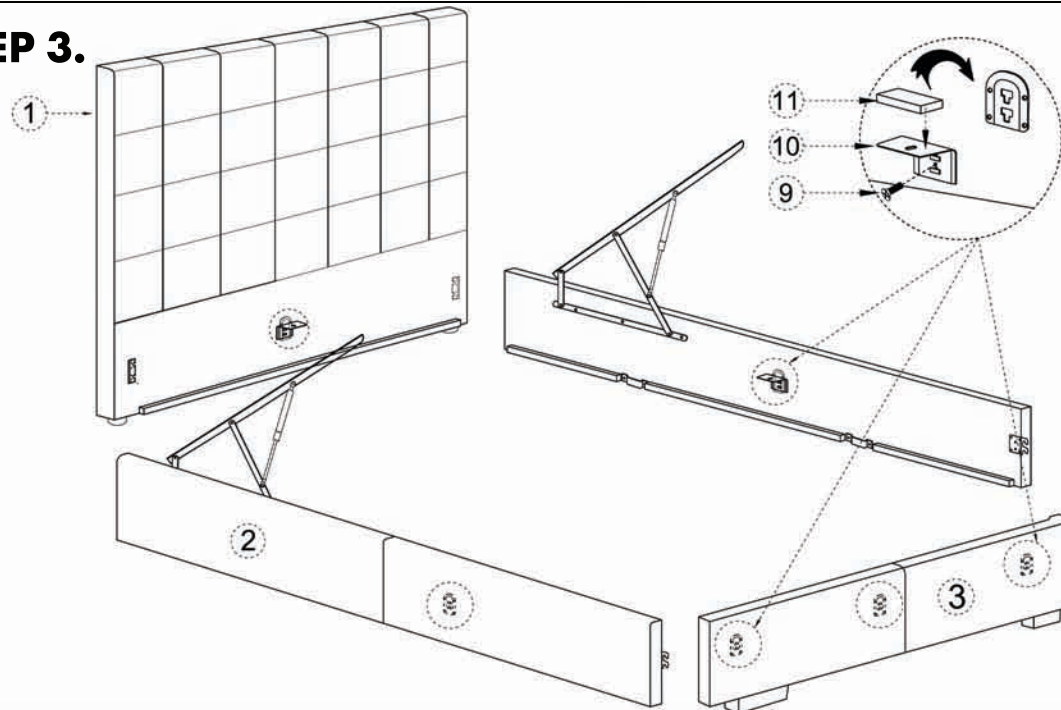
Thank you for purchasing this quality product! Be sure to check all packing material careful for small part that may have come loose inside the carton during shipping.

CAUTION:The item is heavy, assembly should be performed by two people.

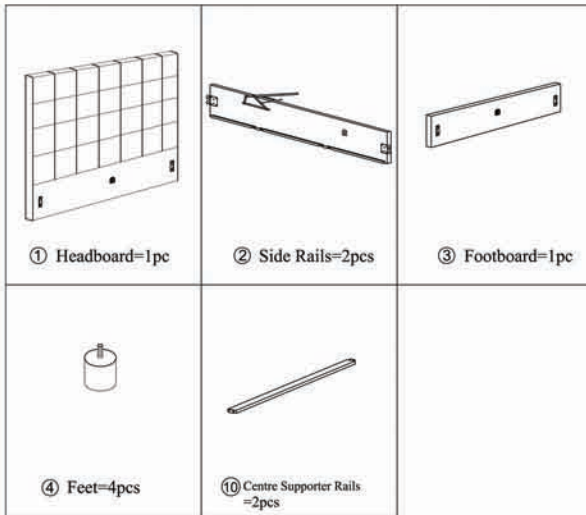
STEP 2.



STEP 3.



PARTS AND HARDWARE.

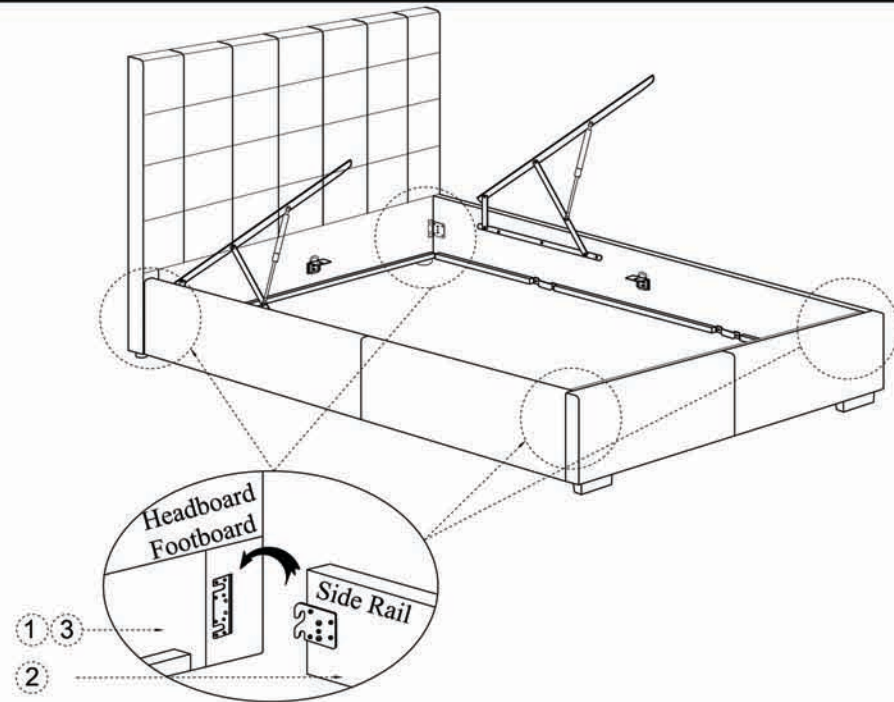


NOTES.

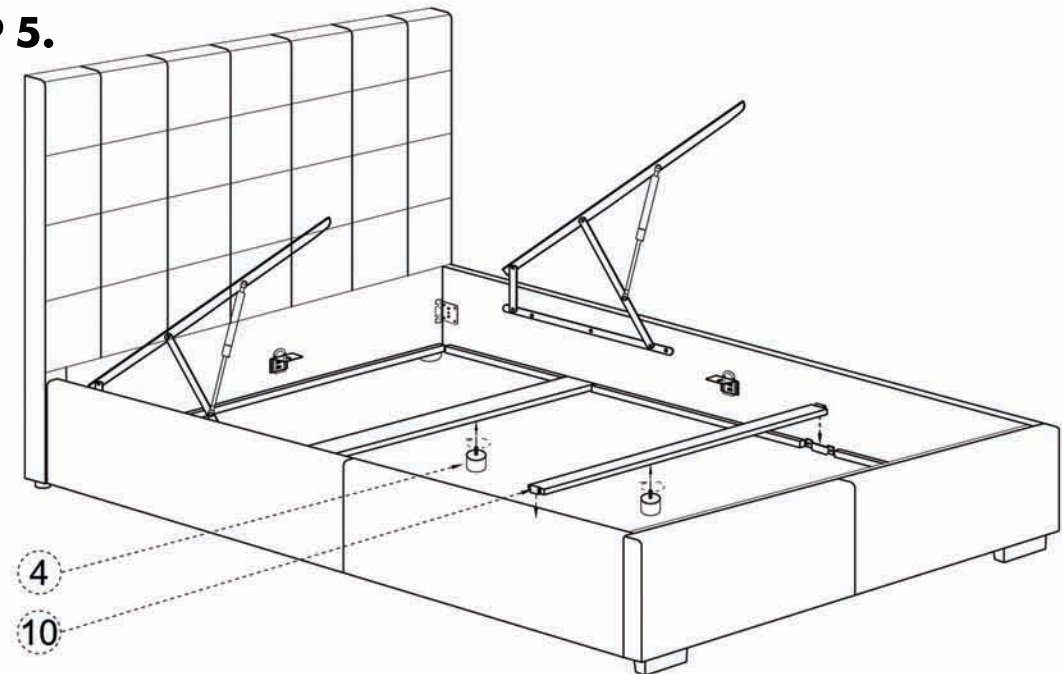
Thank you for purchasing this quality product! Be sure to check all packing material careful for small part that may have come loose inside the carton during shipping.

CAUTION: The item is heavy, assembly should be performed by two people.









STEP 4.



STEP 5.



PARTS AND HARDWARE.

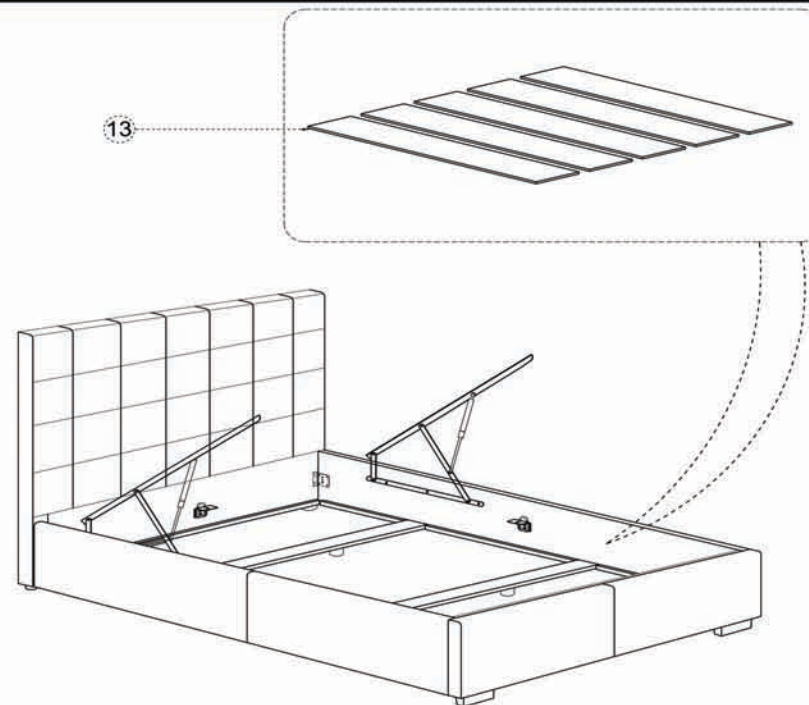
		
⑪ Slat Frame =1pc	⑫ Handle=1pc	⑬ Baseboards = 4 pcs
		
⑭ Washers(m8) =16pcs	⑮ Nuts(Ø8) =8pcs	⑯ Bolts(Ø8*45) =8pcs
		
⑰ Spanner=1pc	⑱ Allen Key =1pc (m5)	

NOTES.

Thank you for purchasing this quality product! Be sure to check all packing material careful for small part that may have come loose inside the carton during shipping.

CAUTION:The item is heavy, assembly should be performed by two people.

STEP 6.



STEP 7.

