

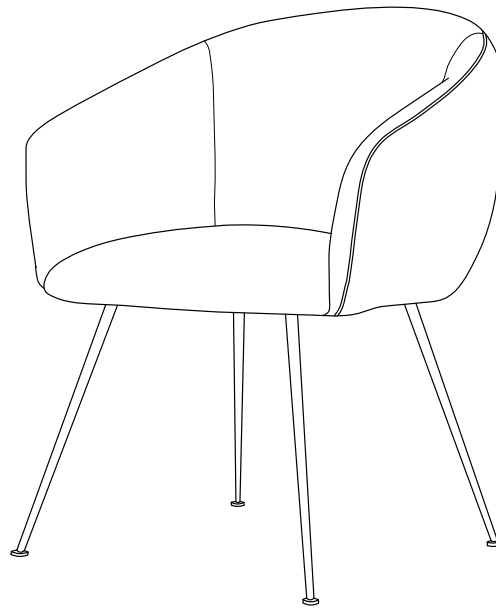
MOE'S

home collection

ASSEMBLY INSTRUCTIONS.

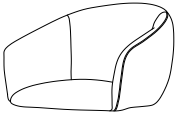
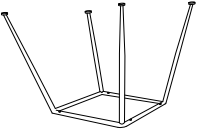

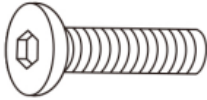

ATELIER DINING CHAIR

EH-1108-33



THANK YOU FOR YOUR PURCHASE!

PARTS AND HARDWARE.

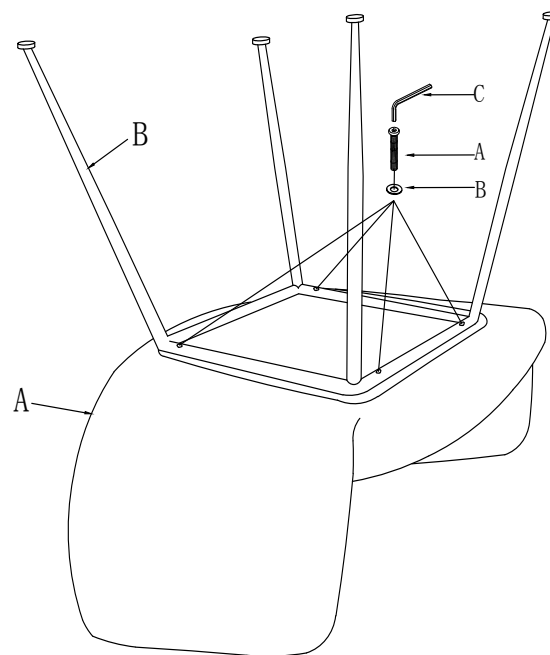
	Ax1
	Bx1
	Cx4 M6x16 mm
	Dx4 M6x25 mm
	Ex1 M4

NOTES.

Thank you for purchasing this quality product! Be sure to check all packing material carefully for small part that may have come loose inside the carton during shipping.

CAUTION: Please assembly this product on a padded surface to reduce the risk of scratching to the product or your work surface.

STEP 1.



STEP 2.

