

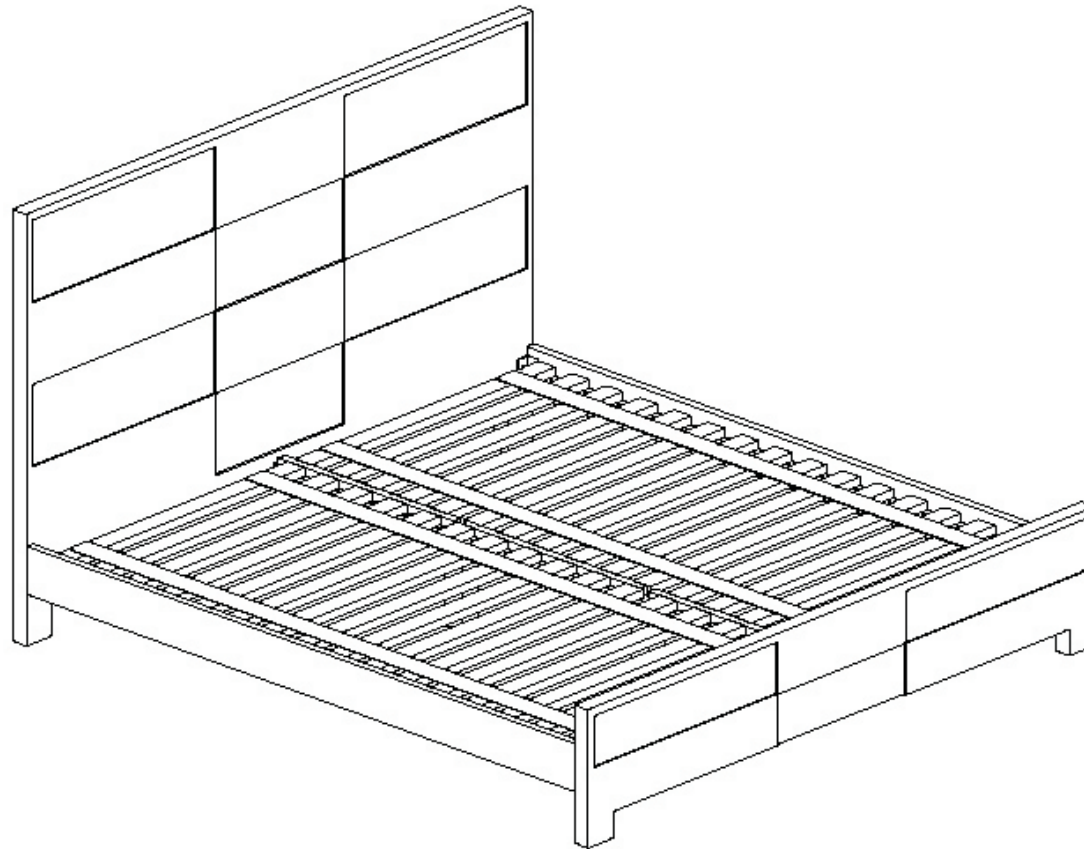
MOE'S

home collection

ASSEMBLY INSTRUCTIONS.


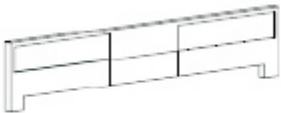







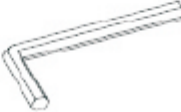

FELIX KING BED

BV-1009-15



THANK YOU FOR YOUR PURCHASE !

PARTS AND HARDWARE.

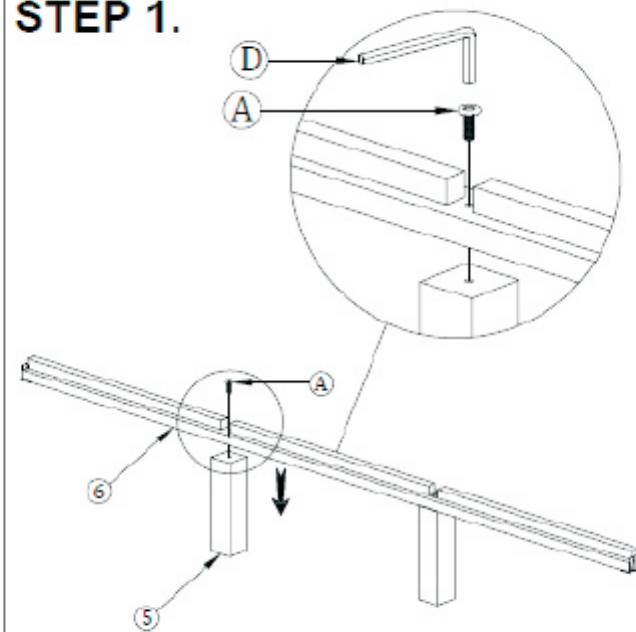
| | | | |
|--|--|--|--|
| 1. HEADBOARD x 1  | | 2. FOOTBOARD x 1  | |
| A. ALLEN BOLT M45x8 x 2  | B. ALLEN BOLT M16x8 x 8  | C. FLAT WASHER x 8  | |
| 3. LEFT SIDE RAIL x 1  | 4. RIGHT SIDE RAIL x 1  | 5. CENTER SUPPORT LEG x 2  | |
| 6. CENTER SUPPORT x 1  | D. ALLEN KEY M5 x 1  | 7. SLATS x 32  | |

NOTES.

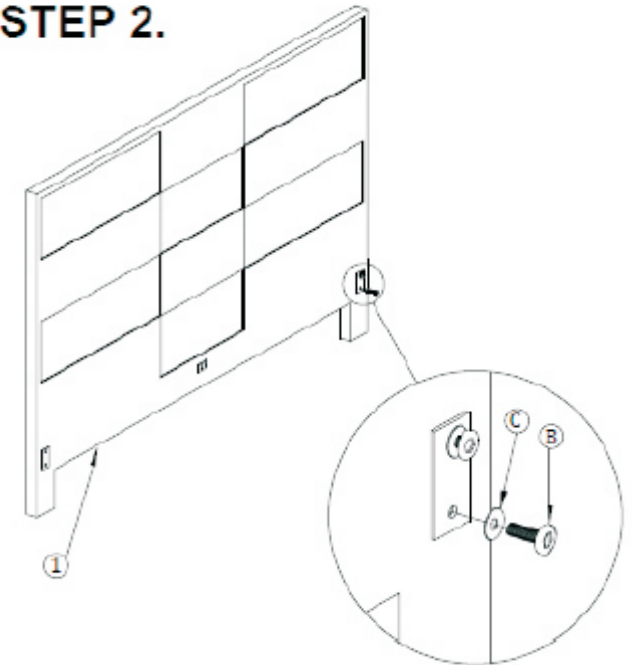
Thank you for purchasing this quality product! Be sure to check all packing material carefully for small part that may have come loose inside the carton during shipping.

CAUTION: The item is heavy, assemble should be performed by two people.

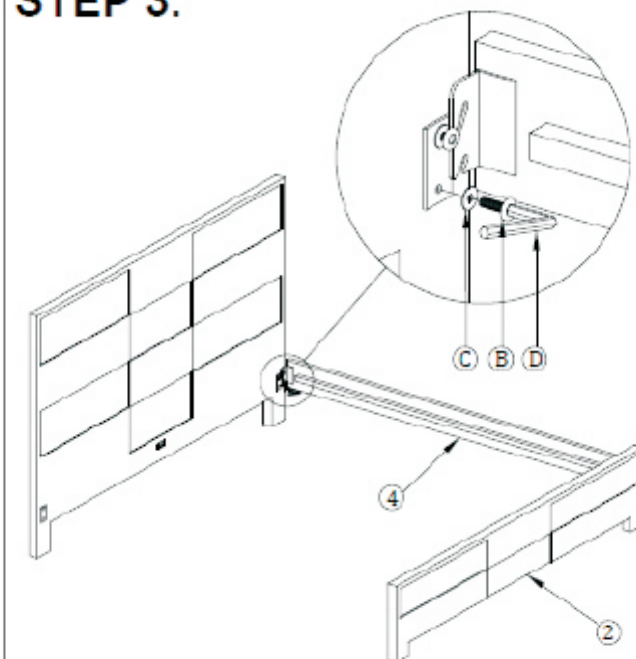
STEP 1.



STEP 2.



STEP 3.



STEP 4.

