



Curve THRUSTER Installation Guide



CAUTION: Read and follow all rules of safety and operating instructions before attempting to assemble and install the product.

Curve Industries
315-841-8730
www.curveindustries.com

Introduction, Safety, and Tools

INTRODUCTION

The Curve Thruster is a ski accessory that increases flotation, side hill performance and cornering ability in loose snow conditions.

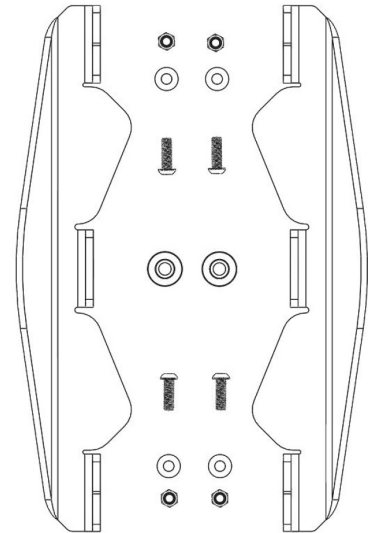
SAFETY

The Curve Thruster may increase the width of your snowmobile and protrude from the side of the ski. Exercise caution when navigating tight trails or when in close proximity to other snowmobiles and stationary objects. Pay close attention to clearances when loading trailers.

TOOLS REQUIRED

- 5/16 Drill Bit
- Drill
- 3/16 Allen Wrench — 1/2" Socket / Wrench
- Thread Anti-Seize — Appropriately Sized Wrenches to Remove Spindle Bolt
- Hammer (To aid in spindle bolt installation if necessary)

Figure 1

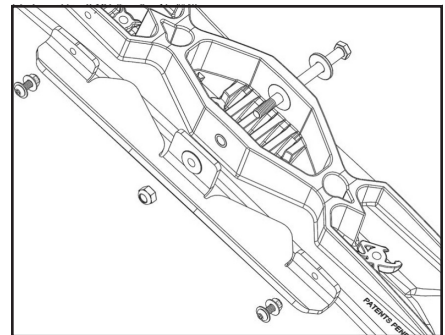


Installation

INSTALLATION - PER SKI

- 1) Remove the spindle bolt using the appropriate wrenches
- 2) Align the Thruster on the ski as shown in Figure 2
- 3) Insert the spindle bolt with washer:
Spindle Bolt, Washer, Ski, Spindle, Ski, Thruster, Bushing, Lock nut.
- 4) Slide the thruster onto the spindle bolt and tighten the lock nut against the Thruster bushing. A washer is not required behind the nut.
- 5) Once the Thruster is tight and properly aligned, use the drill and 5/16" drill bit to create two holes in the ski where the two remaining Thruster holes are located.
- 6) Use the remaining hardware in the following order to secure the thruster in the drilled holes - place a dab of anti seize on each bolt:
5/16" Allen Bolt - Washer - Thruster - Ski - Lock nut.
- 7) Use the 3/16" allen wrench and 1/2" socket / wrench to tighten the remaining hardware.
- 8) Double check the tightness of the spindle bolt / nut assembly.

Figure 2



NOTE:

If reusing spindle hardware, ensure the lock nut is functioning as designed

This product manual is generic and the figures may not depict your exact ski or Thruster. The safety recommendations and installation procedure are however the same. Do not hesitate to contact a Curve Industries representative with any questions or concerns.