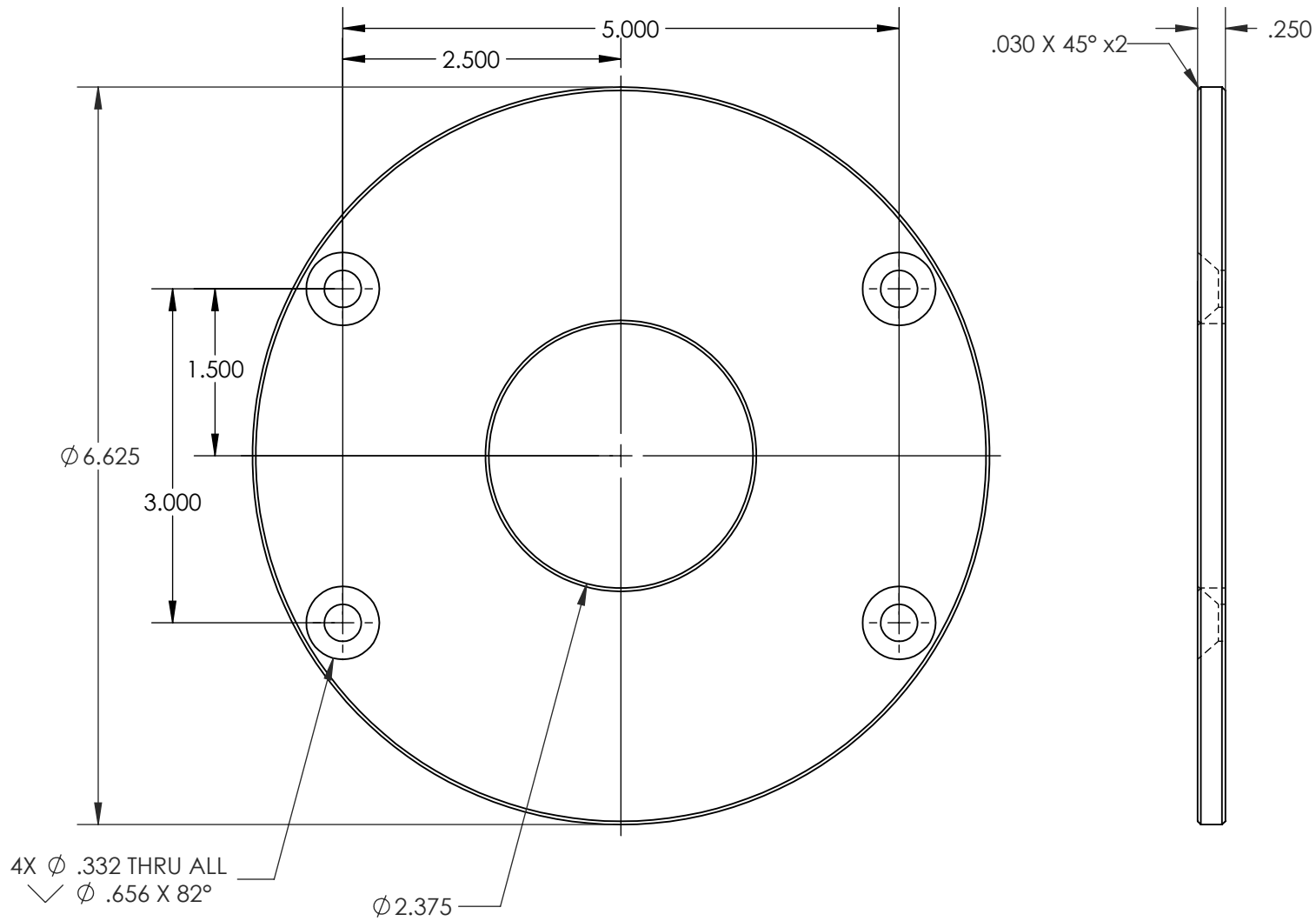


Revisions		
Rev	Date	Revision Description



4X  $\phi .332$  THRU ALL  
 $\surd \phi .656 \times 82^\circ$



**Rupp Marine Inc**  
**Serious Sportfishing Hardware**  
 (772)286-5300 (866)477-2678  
 PROPRIETARY AND CONFIDENTIAL  
 THE INFORMATION CONTAINED IN THIS  
 DRAWING IS THE SOLE PROPERTY OF  
 RUPP MARINE INC. ANY  
 REPRODUCTION IN PART OR AS A WHOLE  
 WITHOUT THE WRITTEN PERMISSION OF  
 RUPP MARINE INC IS  
 PROHIBITED.

UNLESS OTHERWISE SPECIFIED:  
 DIMENSIONS ARE IN INCHES  
 TOLERANCES:  
 FRACTIONAL  $\pm 1/64$   
 ANGULAR: MACH  $\pm .5$  BEND  $\pm .5$   
 TWO PLACE DECIMAL  $\pm .01$   
 THREE PLACE DECIMAL  $\pm .005$

COMMENTS:

	NAME	DATE
DRAWN	EJM	8/19/2009
MATERIAL	6061-T6 Aluminum	
FINISH	Polished & Anodized	
	CHECKED/APPR.	
	NAME	DATE

Title:		
<b>Backing Plate</b>		
SIZE	DWG. NO.	REV
<b>A</b>	<b>23-Pro-73</b>	<b>NC</b>
Do Not Scale		SHEET 1 OF 1