



Toll Free 800-365-6060

WWW.AISINTERFACE.COM

TECH SUPPORT 833-AIS-TECH



AUTOMOTIVE INTEGRATION SOLUTIONS

LRMOD1

**REAR CAMERA INTERFACE FOR
SELECT LAND ROVER**



WARNING

RADIO MUST HAVE THE VERSION 2 FACTORY NAVIGATION AND TOUCHSCREEN IN ORDER FOR THIS PRODUCT TO BE COMPATIBLE.

Applications

**2010 - 2012 Land Rover Discovery (L319)
2010 - 2011 Range Rover Sport (L320)
2010 - 2012 Range Rover Vogue (L322)**

Navigation Touch-screen navigation system- version 2

FEATURES:

- ADDS REAR CAMERA INPUT
- VIDEO IN MOTION

Parts inside the box



WWW.AISINTERFACE.COM

Video in Motion

The video-in-motion can be activated and deactivated by Dip 1 or alternatively by the included loose green cable in connection with a switch (not included in delivery).

Video-in-motion permanent With dip1 to ON the video-in-motion function is activated permanently without disturbing the navigation performance.

Video-in-motion selective With dip1 to OFF the included green cable is used to activate the video-in-motion function.


Connect a switch to the green cable and connect the green cable to +12V ACC.

- +12V = TV-Free is activated
- 0V = TV-Free is not activated

Note: The loose white cable is not required and must be isolated.

Specifications

- Operation voltage 10.5 – 14.8V
- Stand-by power drain <2mA
- Operation power drain ~60mA
- Power consumption ~0,08W
- Temperature range -30°C to +80°C
- Weight 44g

CE  12V DC

TECH SUPPORT 833-AIS-TECH

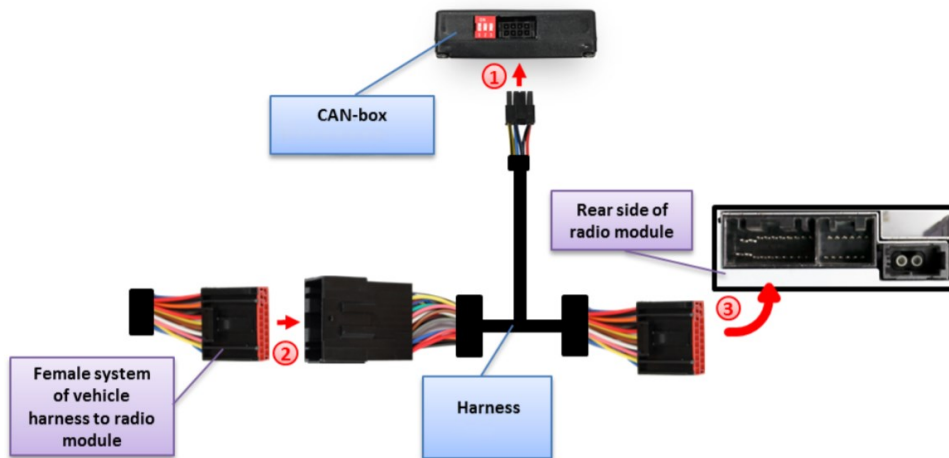
Wiring the Interface

Switch off ignition and disconnect the vehicle's battery! If according to factory rules disconnecting the battery has to be avoided, it is usually sufficient to put the vehicle in sleep-mode. In case the sleep-mode does not show success, disconnect the battery with a resistor lead.

Place of installation is on rear of the radio module and behind the factory navigation monitor.

On Range Rover Vogue the radio module is a hide-away box which is located behind the glove box.

On Range Rover Sport and Discovery 4 the radio module is located behind the factory navigation monitor.



1. Connect female 8pin Molex connector of harness to male 8pin Molex connector of CANbox.

2. Transfer female system-connector of vehicle harness from rear of radio module into male system-connector of harness.

3. Plug female system-connector of into male socket on the rear of radio module.

Legal Information By law, watching moving pictures while driving is prohibited, the driver must not be distracted. We do not accept any liability for material damage or personal injury resulting, directly or indirectly, from installation or operation of this product. This product should only be used while standing or to display fixed menus or rear-view-camera video when the vehicle is moving, for example the MP3 menu for DVD upgrades.

Setting the DIP Switches

Vehicle/ navigation	Dip 1	Dip 2	Dip 3	Dip 4	Dip 5	Dip 6
Video-in-motion permanent	ON	ON	OFF	OFF	ON	ON
Video-in-motion selective*	OFF	ON	OFF	OFF	ON	ON

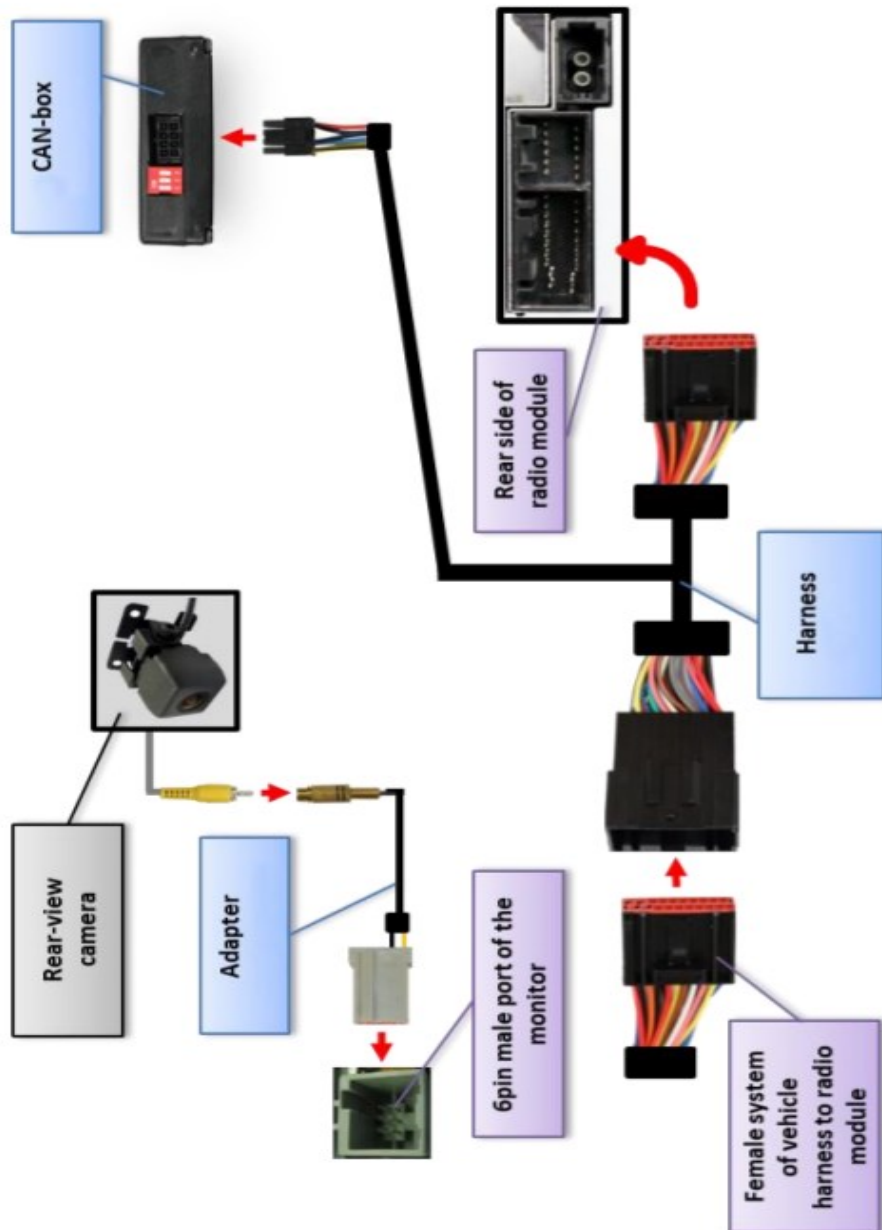
- With dip1 to OFF the included green cable is used to activate the video-in-motion function

Note: Dip switch functions:

- Dip 1 – activation TV-free
- Dip 2 – rear-view camera existing
- Dip 3 – TV icon simulation
- Dip 4 – no function
- Dip 5 – termination resistor CAN-Bus
- Dip 6 – termination resistor CAN-Bus

Setting dip 2 to ON codes the factory rear-view camera input which is located on the brown Fakra male connector of the factory monitor. When reverse gear is engaged, the navigation will automatically switch to this input. On vehicles with factory rear-view camera set Dip 2 to ON, too.

Wiring Diagram and Installation



Wiring Diagram and Installation

CAMERA PIN Assignment 6pin male port of the monitor



- **Pin 2: Video-signal rear-view camera**
- **Pin 5: Video-signal ground rear-view camera**

Pin colored video-signal (black video-signal ground) with bare contact of adapter CAB-LR10-R into pin 2 (pin 5) of the female grey-red 6pin connector. Use red front is to lock the pins in the connector.

Connect female grey-red 6pin connector to 6pin male port of the monitor.

Connect the video RCA of the rear-view camera to female RCA connector of adapter CAB-LR10-R.

Pin-assignment vehicle connector Range Rover Vogue

Cable color	Assignment
●○ Yellow/White	CAN-HIGH Pin 9
●● Yellow/Blue	CAN-LOW Pin 10

Pin assignment vehicle connector Sport & Discovery

Cable color	Assignment
●○ Yellow/White	CAN-HIGH
● Yellow	CAN-LOW