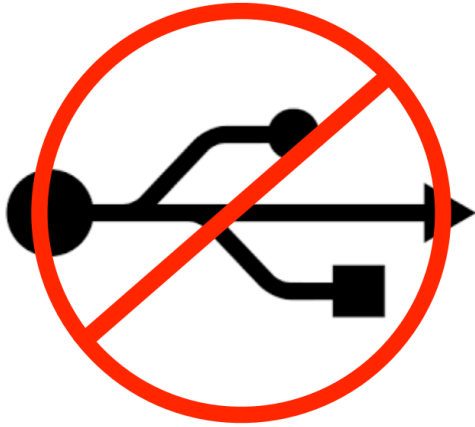


USB Input

IMPORTANT !!!

The USB is designed for firmware updates **ONLY**. The USB will not play any type of stored media in any format. Trying to use the USB for media may result in damage to the interface and will not be covered under warranty.



For TECH SUPPORT call 1-833-AIS-TECH

WWW.AISINTERFACE.COM

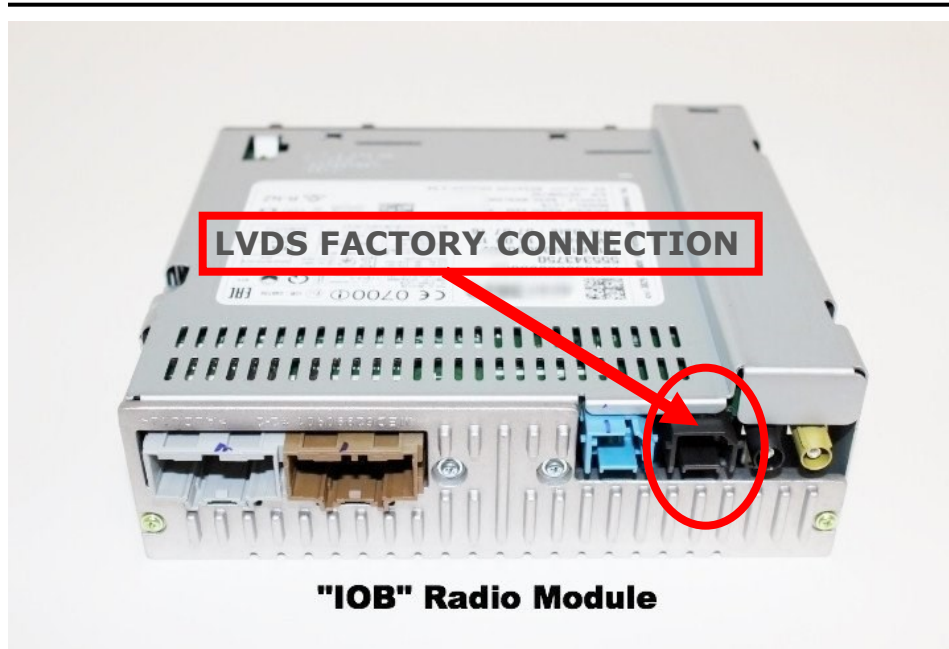
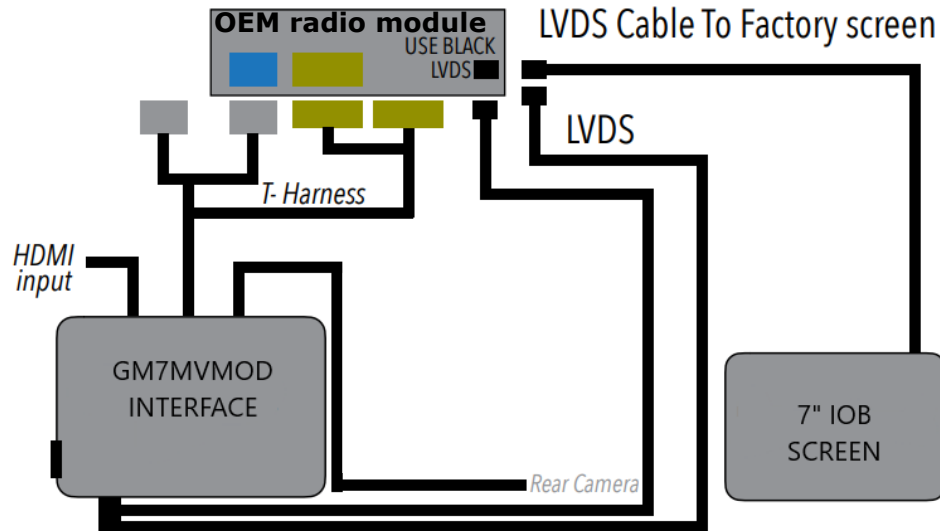


AUTOMOTIVE INTEGRATION SOLUTIONS

GM7MOD

**REAR - CAMERA INTERFACE FOR
GM IOB 7" SYSTEM**

WWW.AISINTERFACE.COM

Wiring Diagram

The IOB radio module is located behind the factory screen.

Installation**IMPORTANT !!!**

YOU MUST FOLLOW THIS CONNECTION SEQUENCE EXACTLY IN ORDER FOR THE INTERFACE TO WORK CORRECTLY.

- Step 1) Put the Key in the "OFF" position.
- Step 2) Remove the factory screen to access the radio module.
- Step 3) Disconnect the Factory harness form the radio module.
- Step 4) Connect the T-Harness to the Factory radio module.
- Step 5) Connect the **GM7MOD** interface to the T-Harness.
- Step 6) Connect the provided T-LVDS cable to the **BLACK** LVDS connector on the Factory radio module. Now connect the LVDS that was plugged into the Factory radio module into the LVDS T-Harness. (see picture on the right)
- Step 7) Connect the LVDS T-Harness into the **GM7MOD** interface.
- Step 8) Connect the rear cameras 12v wire to ACC+ (Do not use the camera output from the interface).
- Step 9) Connect the ground wire of the camera to chassis ground.
- Step 10) Start the vehicle and test. The vehicle **MUST** be running for the interface to work.