

ALS *Lighting*

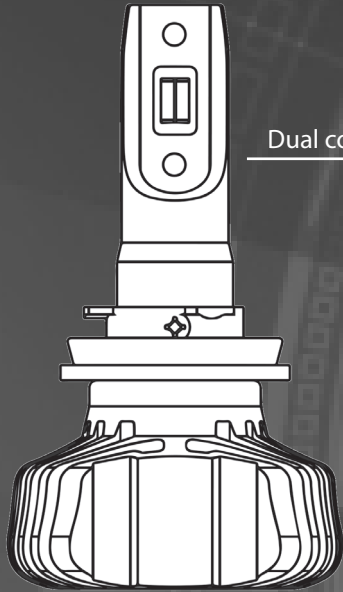


2020 - 2021 PRODUCT LINE

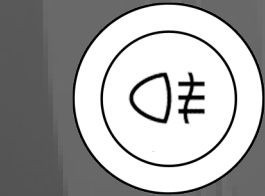
WWW.AISLIGHTS.COM



ProSwitch™ FOGLIGHTS



Dual color LED's

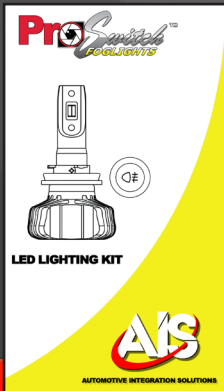
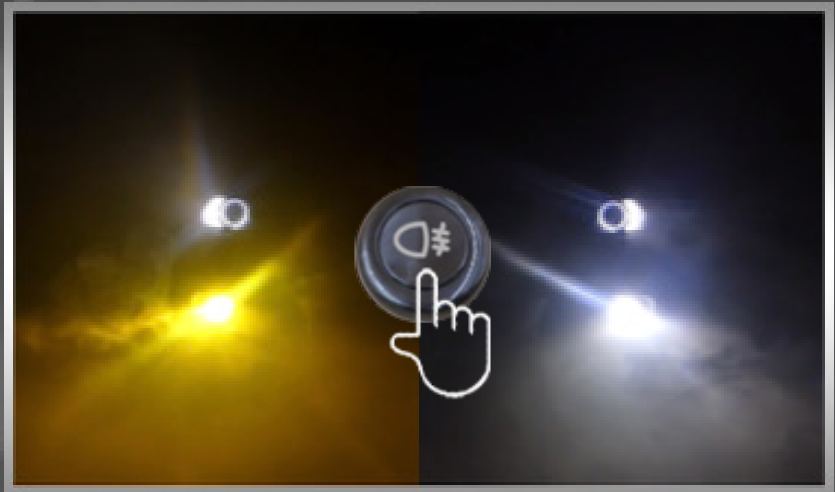


Instant on

Wireless RF Controller

Enhance your visibility through any type of weather with the PROSWITCH dual color FOGLIGHTS.

With a push of the wireless control button, the PROSWITCH FOGLIGHTS allow you to convert a 6500K white driving light which is mostly used in clear and dry conditions, to a 3000K yellow light, improving visibility during high fog, rain, or snow.

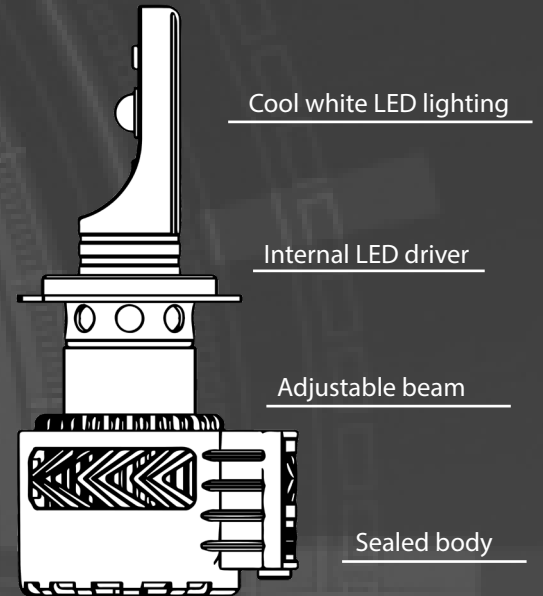


Available bulb size
H7, H8, H10, H11, H16, 9006,
PSX24, PSX26, 880/881

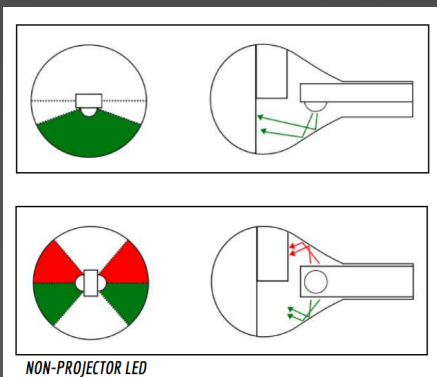
ProSeries™ PROJECTORS



- **DESIGN:** The Projector series are specifically designed to maximize the light output in projector headlights without modification. Adjustable for optimization of the light beam, it's 100% waterproof, resistant to mud, snow, shocks, vibration and dust.
- **POWER:** Up to 2 times more powerful than the original halogen bulbs.
- **ALL ALUMINUM CONSTRUCTION:** Its aerospace grade aluminum design ensures great durability and superior cooling capacity when compared to the plastic LED assemblies.
- **INSTANT ON:** The ignition of the chip is immediate once turned on so there is no need for them to warm up.
- **LONG LASTING:** Normal service life exceeding 30,000 hours.
- **COLOR:** Cool white is 6500K.



HOW DOES A PROJECTOR WORK?



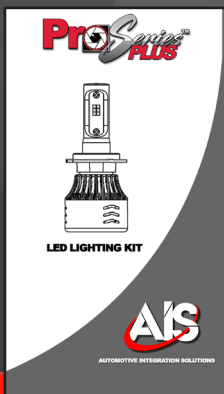
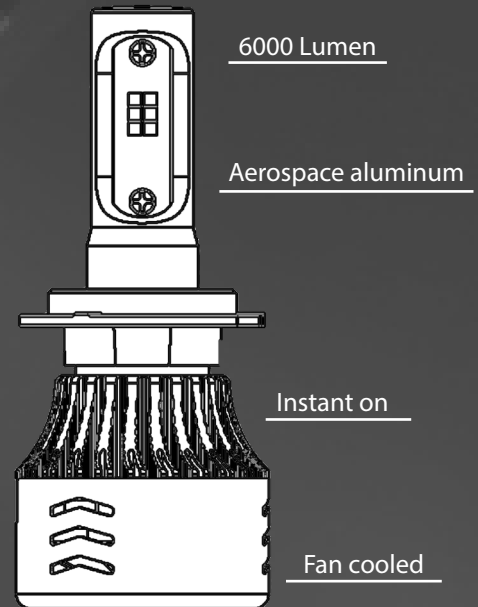
Available bulb size
H7, H11, H11B, 9005, 9006,
9012, D1/D3, D2/D4





Pro Series PLUS™

- **MULTI-USE DESIGN:** 100% waterproof, resistant to mud, snow, shocks, vibration and dust. Can tolerate weather conditions from -40c up to + 80c.
- **VERSATILITY:** Works on most types of vehicles, whether it is passenger vehicles, commercial trucks or all-terrain vehicles.
- **NO EXTERNAL DRIVER:** The LED driver is internal. There is no other piece attached on the wire. The high-quality thermoformed plastic connectors are securely attached.
- **ALL ALUMINUM CONSTRUCTION:** Its aerospace grade aluminum design ensures great durability and superior cooling capacity when compared to the plastic LED assemblies.
- **INSTANT ON:** The ignition of the chip is immediate once turned on so there is no need for them to warm up.
- **LONG LASTING:** Our PRO-Series LED product are built to last over 30,000 hours.
- **OUTPUT:** Comparable to 6000 lumen.



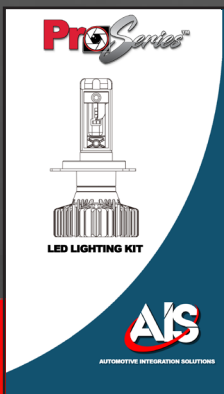
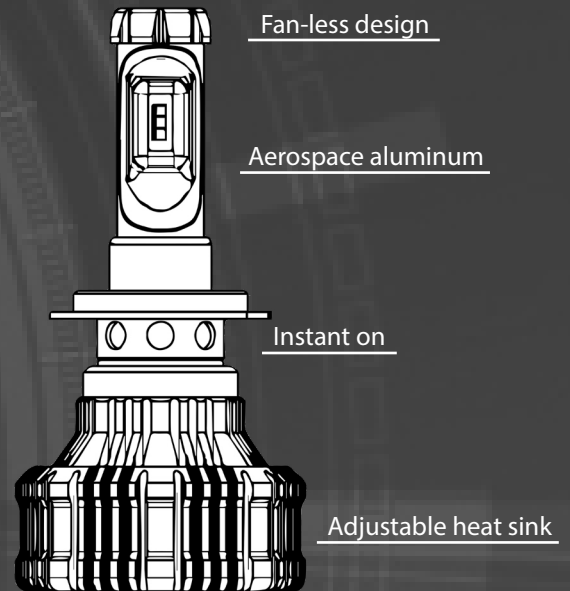
Available bulb size
H1, H4, H7, H10, H11, H11B,
H13, H15, 9004, 9005, 9006,
9007, 9012

WWW.AISLIGHTS.COM

ProSeries™



- **MULTI-USE DESIGN:** The PRO-Series LED heat sink is designed to be removed and flipped upside down. This unique feature allows a larger number of protective caps to be reinstalled on the headlights, without any modifications. The LED bulb is adjustable 360 degrees to allow the light beam to aim horizontally and create a strong projecting light beam pattern. 100% waterproof, resistant to mud, snow, shocks, vibration and dust. Can tolerate weather conditions from -40c up to + 80c.
- **VERSATILITY:** Works on most types of vehicles, whether it is passenger vehicles, commercial trucks or all-terrain vehicles
- **NO EXTERNAL BALLAST:** The LED ballast is internal. There is no other piece attached on the wire. The high-quality thermoformed plastic connectors are securely attached.
- **ALL ALUMINUM CONSTRUCTION:** Its aerospace grade aluminum design ensures great durability and superior cooling capacity when compared to the plastic LED assemblies.
- **INSTANT ON:** The ignition of the chip is immediate once turned on so there is no need for them to warm up.
- **LONG LASTING:** Our PRO-Series LED product are built to last over 30,000 hours.
- **OUTPUT:** Comparable to 6000 lumen.



Available bulb size

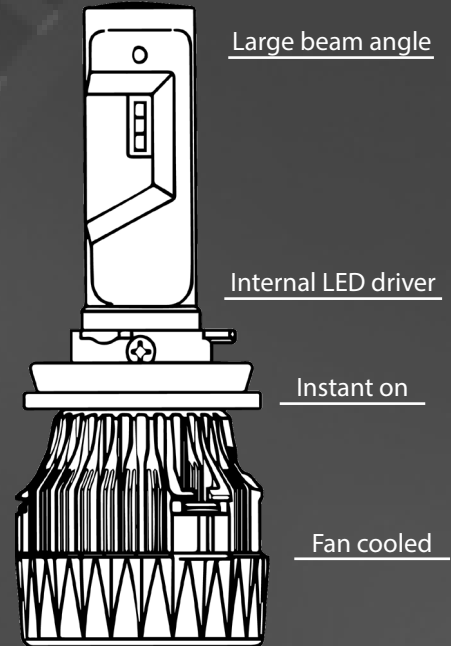
H1, H3, H4, H7, H8, H9, H10, H11, H11B, H13, H15, H16, P13W, PSX24, PSX26, 880/881, 9004, 9005, 9006, 9007, 9012





TECH SERIES *PLUS*

- **COMPACT DESIGN:** The TECH SERIES PLUS is the smallest high-performance LED headlight kit available from AIS.
- **NO EXTERNAL BALLAST:** The LED ballast is internal. There is no other piece attached on the wire. The high-quality thermoformed plastic connectors are securely attached.
- **ALL ALUMINUM CONSTRUCTION:** Its all-aluminum design ensures great durability and superior cooling capacity when compared to the plastic LED assemblies.
- **ANTI RADIO INTERFERENCE:** The cables are protected by braided sleeves. This prevents a magnetic field, which would interfere with radio reception, from being created.
- **LARGE BEAM ANGLE:** The thickness of the internal electronics board is less than 2.5mm, which increases the angle of light scattering inside the headlight. A larger angle reduces the black areas on the ground.
- **INSTANT ON:** The ignition of the chip is immediate once turned on so there is no need for them to warm up.
- **THERMAL PROTECTION:** The LED chips are securely attached and are cooled by the fan. Importantly, should the fan stop running, an internal thermal protection system would reduce the voltage sent to the LED chips to just 3 volts, protecting the chips from overheating.
- **OUTPUT:** Comparable to 5000 lumen.

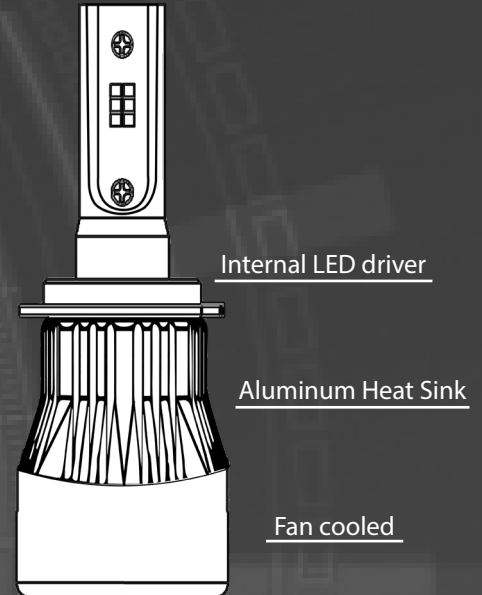


Available bulb size
H4, H7, H8, H9, H10, H11, H11B, H13,
9004, 9005, 9006, 9007, 9012

TECH SERIES



- **NO EXTERNAL BALLAST:** The LED ballast is internal. There is no other piece attached on the wire. The high-quality thermoformed plastic connectors are securely attached.
- **ALL ALUMINUM CONSTRUCTION:** Its all-aluminum design ensures great durability and superior cooling capacity when compared to the plastic LED assemblies.
- **LARGE BEAM ANGLE:** A larger angle reduces the black areas on the ground.
- **INSTANT ON:** The ignition of the chip is immediate once turned on so there is no need for them to warm up.
- **OUTPUT:** Comparable to 2750 lumen.



Available bulb size
H1, H3, H4, H7, H8, H9, H10, H11, H13,
5202, 880, 881, 9004, 9005, 9006, 9007,
9012

AIS LED HEADLIGHT KIT
PREMIUM LED CONVERSION KIT

- 3 YEAR WARRANTY!
- CANBUS BALLAST!
- SUPER BRIGHT!
- EASY TO INSTALL!

THE BEST LED KIT ON THE MARKET!!

The advertisement features the AIS logo, a list of benefits, and an image of an orange sports car with its headlights on. Two LED bulbs are also shown in the top right corner.

ProSeries™ Mini Bulbs

360° ILLUMINATION

360° LEDs for maximum light output

COPPER HEATSINK

AIS LED bulbs contain a copper coated heat sink for improved cooling of the LEDs

DIGITAL POLARITY

AIS bulbs offer error-free performance, that cannot be installed incorrectly

SOLID CONSTRUCTION

No moving parts means a stronger and more reliable product

360°



FESTOON INTERIOR LED BULBS

| <u>BULB TYPE</u> | <u>PART #</u> |
|------------------|---------------|
| 31MM | FT31W (WHITE) |
| 36MM | FT36W (WHITE) |
| 39MM | FT39W (WHITE) |
| 42MM | FT42W (WHITE) |



INTERIOR AND MARKER LIGHT LED BULBS

| <u>BULB TYPE</u> | <u>PART #</u> |
|------------------|---------------|
| 194 - T10 | 194A (WHITE) |
| 921 - T20 | 921A (WHITE) |



SINGLE FUNCTION LED BULBS

| <u>BULB TYPE</u> | <u>PART #</u> |
|------------------|--|
| 1156 | 1156AM (AMBER) 1156RD (RED) 1156WH (WHITE) |
| 3156 | 3156AM (AMBER) 3156RD (RED) 3156WH (WHITE) |
| 7440 | 7440AM (AMBER) 7440RD (RED) 7440WH (WHITE) |



DUAL FUNCTION LED BULBS

| <u>BULB TYPE</u> | <u>PART #</u> |
|------------------|--|
| 1157 | 1157AM (AMBER) 1157RD (RED) 1157WH (WHITE) |
| 3157 | 3157AM (AMBER) 3157RD (RED) 3157WH (WHITE) |
| 7443 | 7443AM (AMBER) 7443RD (RED) 7443WH (WHITE) |



DUAL FUNCTION LED SWITCHBACK BULBS

SWITCHBACK LED replacement bulbs will allow the marker light to be changed to white while the turn signal remains amber keeping your vehicle DOT legal.

| <u>BULB TYPE</u> | <u>PART #</u> |
|------------------|---------------|
| 1157 | 1157SWB |
| 3157 | 3157SWB |
| 7443 | 7443SWB |



ALERT OTHER DRIVERS WHEN BRAKING WITH "STROBE ALERT" FLASHING LED REPLACEMENT BULBS

When the brake is applied, these bulbs will illuminate solid for 1 second. If braking is continued for more than 1 second the LEDs will flash 3 times, alerting other motorists behind you that you have applied the brakes and are slowing down. Once the flash function has completed, the LEDs will remain solid throughout the braking process.

| <u>BULB TYPE</u> | <u>PART #</u> |
|------------------|---------------|
| 1156 | 1156RS |
| 1157 | 1157RS |
| 3156 | 3156RS |
| 3157 | 3157RS |
| 7440 | 7440RS |
| 7443 | 7443RS |

Pro Series™ Mini Bulbs



WWW.AISLIGHTS.COM

DRL & SMART DECODERS

SMART DECODERS

| <u>BULB TYPE</u> | <u>PART #</u> |
|--------------------|---------------|
| 9004/9007 | DC9004 |
| 9005/9006/9012/H10 | DC9005 |
| H8 /H9/H11 | DCH11 |
| H13 | DCH13 |
| H16/PSX24/5202 | DCH16 |
| H4 | DCH4 |
| H7 | DCH7 |



DRL DECODERS

| <u>BULB TYPE</u> | <u>PART #</u> |
|--------------------|---------------|
| 9005/9006/9012/H10 | DCDRL9005 |
| H8/H9/H11 | DCDRLH11 |
| H13 | DCDRLH13 |
| H4 | DCDRLH4 |
| H7 | DCDRLH7 |



PLUG & PLAY RESISTORS

AVAILABLE FOR

- H1/H3 - PT# RESH1
- H4 - PT# RESH4
- H7 - PT# RESH7
- H11 - PT# RESH11
- H13 - PT# RESH13
- H16 - PT# RESH16
- 9004/9007 - PT# RES9004
- 9005/9006 - PT# RES9005
- 880 - PT# RES880



UNIVERSAL RESISTORS

AVAILABLE FOR

- PT# RES1010U 10w/10 ohm
- PT# RES1035U 10w/39 ohm
- PT# RES258U 25w/8 ohm
- PT# RES2525U 25w/25 ohm
- PT# RES3515U 35w/12 ohm
- PT# RES506U 50w/6 ohm
- PT# RES508U 50w/8 ohm
- PT# RES754U 75w/4 ohm



INSTALLATION ACCESSORIES

- PLUG & PLAY RELAY HARNESSES
- DUST CAPS
- BULB ADAPTER BRACKETS



HEADLIGHT RESTORATION

BEFORE

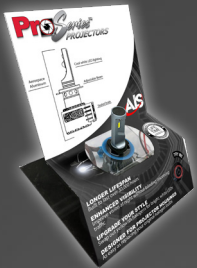


AFTER

Restore foggy and yellowed headlights in 2 easy steps!
The Headlight Restoration Kit will have your headlights looking as good as new and at an affordable price

HLRK1

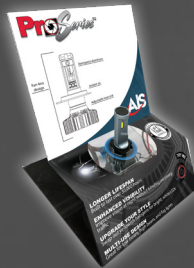
DISPLAYS & APPAREL



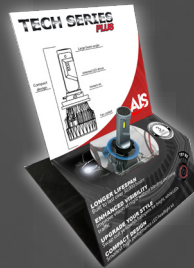
PROPROJDISP



PRO+DISP



PRODISP



TECH+DISP



TECHDISP



MINIDISP



BACK



FRONT

T-SHIRTS



GOLF SHIRTS



HEAD GEAR



HLRK1DISP

Driver safety is our first priority.

At Automotive Integration Solutions (AIS), our engineers have created world-class high performance headlight bulbs suited for your unique application.

In our design and development process, we truly started from scratch, using only the highest quality materials. Every component has been purpose-built for the rigorous demands of today's vehicles. The exacting standards by our manufacturing process provides our headlight bulbs with industry-leading brightness and reliability. Since driver safety is the first priority of AIS, you will be assured that during any weather conditions, you will have the brightest and best quality lights on the road today.



WWW.AISLIGHTS.COM